



CLAMPS



PI.EFFE.CI.

Over 40 years of experience

PI.EFFE.CI. offers its clients over 40 years experience in the market of TUBE FITTING CLAMPS to fix the pipes, used in many industries.

A productive capacity characterized by high technological standards, a wide range of products with excellent value for money and customer service, high professionalism, these are the strengths of PI.EFFE.CI.

ENGINEERING

The continuous technological innovation, aimed to increase efficiency of production and expanding the range of applications, is provided by highly qualified personnel.

Research and experimentation are essential prerequisites for being able to optimally satisfy the increasingly demanding requirements of a market in continuous innovation.

PRODUCTION

The high efficiency of plants, combined with the optimization and automation of production processes, allows PI.EFFE.CI. to ensure good quality standards for both large and small numbers.

RANGE

The focus always on the market and its trends, allows PI.EFFE.CI. to understand the specific needs of different sectors: industrial, mobile and marine industries and oil, from offshore to industrial piping, mining industry to the petrochemical sector pipelines and pneumatics.

SERVICE

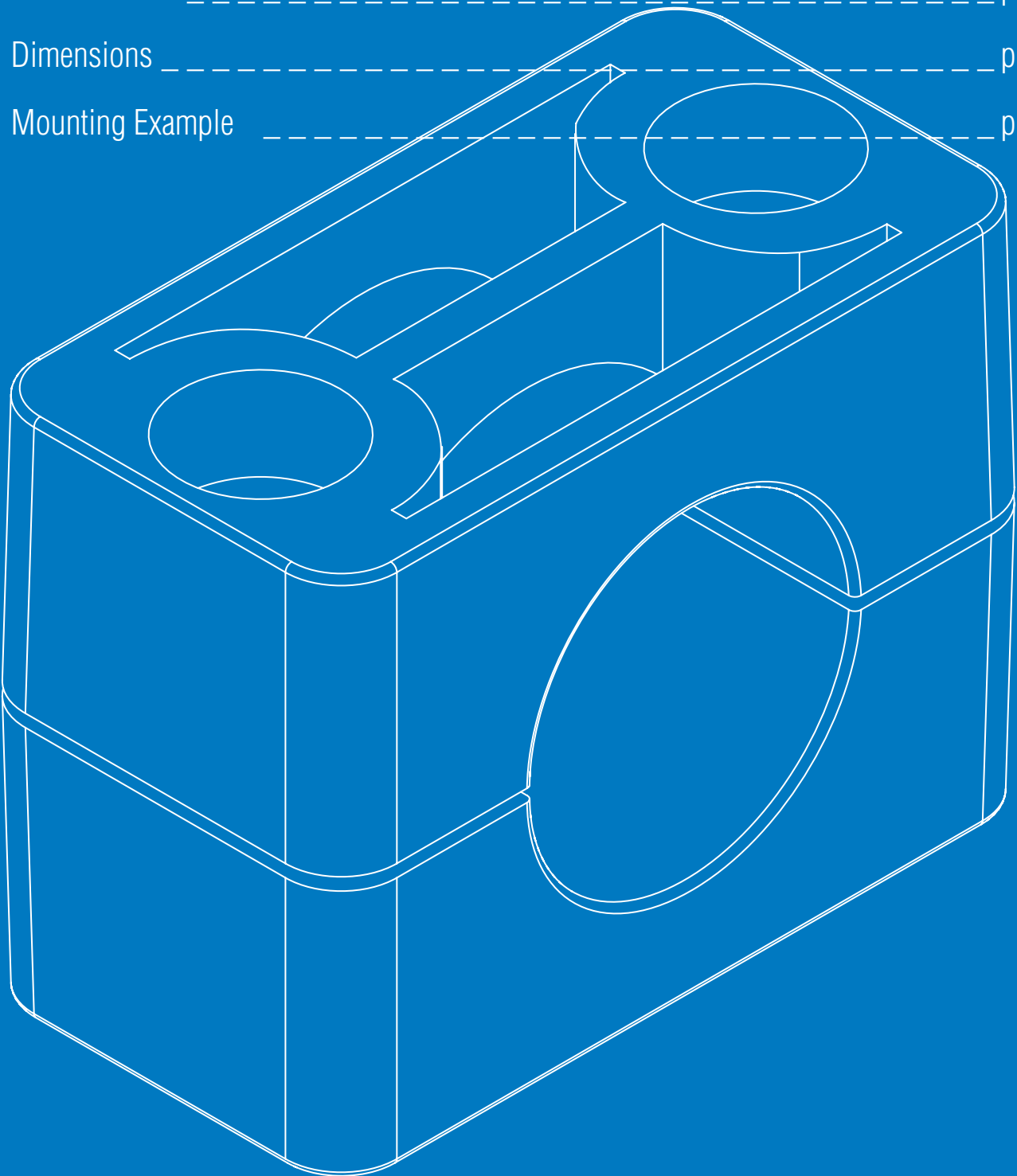
The long experience enables PI.EFFE.CI. to satisfy its customers by using computer supports pre-and post-sale, using the web tool and interactive CDs for technical communication timely and constantly updated.

Standard Series Clamps	p. 03	Order Codes	p. 04
		Dimensions	p. 07
		Mounting Example	p. 10
Heavy Series Clamps	p. 13	Order Codes	p. 14
		Dimensions	p. 18
		Mounting Example	p. 23
Twin Series Clamps	p. 25	Order Codes	p. 26
		Dimensions	p. 28
		Mounting Example	p. 31
		Aluminium Twin Series Clamps	p. 32
Clamps with Rubber Bushing	p. 33	Order Codes and Dimensions	p. 34
		Mounting Example	p. 37
Standard Series Clamps for Twin Pipes	p. 39	Order Codes, Dimensions and Mounting Example	p. 40
Standard and Twin Series Clamps with Spaced Plates	p. 41	Standard Series Clamps	p. 42
		Twin Series Clamps	p. 43
		Mounting Example	p. 44
Standard and Twin Series Clamps with Mounting Rail	p. 45	Order Codes and Dimensions	p. 46
		Mounting Example	p. 47
Special Clamps	p. 49	Order Codes	p. 50
		Dimensions	p. 50
		Mounting Example	p. 52
Heavy Series Twin Design Clamps	p. 53	Order Codes	p. 54
		Dimensions	p. 54
		Mounting Example	p. 56
Light Series Clamps	p. 57	Order Codes and Dimensions	p. 58
Special Clamps for Industrial Electric Application and Custom Designed Clamps	p. 61	Mounting Example	p. 62
Super Heavyweight Series	p. 63	Order Codes and Dimensions	p. 64
U-Bolt Clamps	p. 65	Light	p. 66
		Medium	p. 68
		Heavy	p. 70
		DIN 3570	p. 72
Squared U-Bolts	p. 73	Light and Medium	p. 74
		Heavy and Robust	p. 75
Material Characteristics	p. 77	Clamps and Accessories	p. 78
Technical Appendix	p. 79	Recommended Distance between Clamps, Clamps Installation in case of Bend Pipe, Thread Chart, Property Classes for Bolts and Screw	p. 80
		Tightening Torques and Maximum Loads in Pipe Direction	p. 81
Tool for Welding of Plates	p. 83	Instructions	p. 83

STANDARD Series Clamps

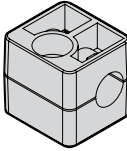
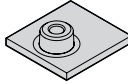
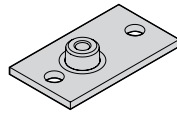
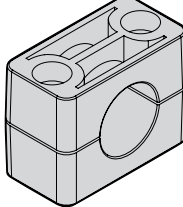
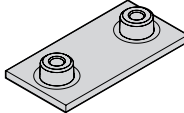
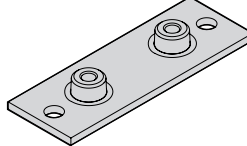
DIN 3015, Part 1

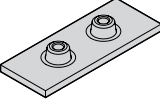
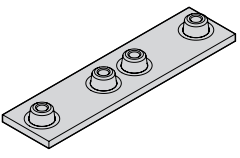
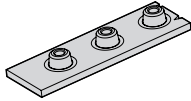
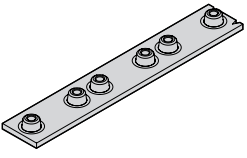
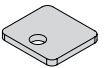
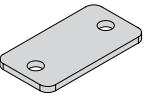
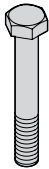

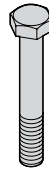
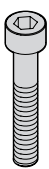
- Order Codes p 04
- Dimensions p 07
- Mounting Example p 10



PIPE CLAMPS - STANDARD SERIES




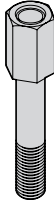
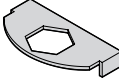
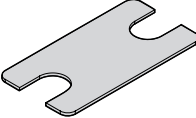
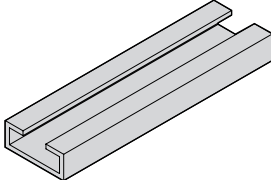
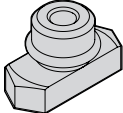
Order Codes

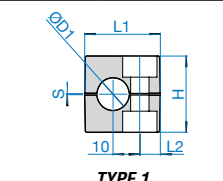
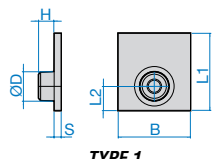
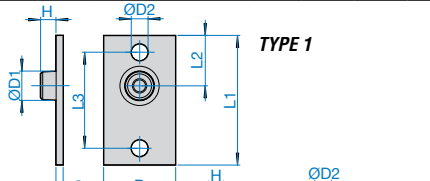
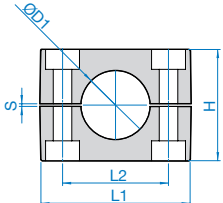
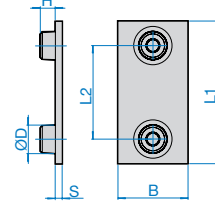
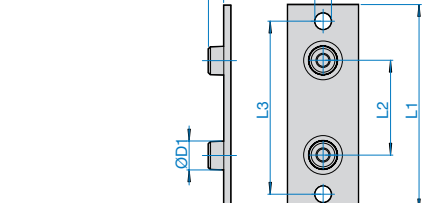
PIPE CLAMPS MATERIAL				Clamp body (two clamp halves)			Single weld plate P		Elongated weld plate (with screw) PL	
Code PP : Polypropylene material Colour Blue NB: other colours on demand.				 <p>TYPE 1</p>			 <p>TYPE 1</p>		 <p>TYPE 1</p>	
Code PA : Polyamide material Colour Black .										
Code GM : Rubber Elastomer material Colour Black				 <p>TYPE 2-9</p>			 <p>TYPE 2-9</p>		 <p>TYPE 2-9</p>	
Internal surface clamp body Knurled from C1 to C7 type and profiled from C8 to C9.										
Code A : Aluminium material Colour Aluminium Internal surface clamp body profiled .										
For Dimensions see pages 7-9. For material characteristics, see pages 12, 78 and 80.										
Components description				# # - # #, # # - # #			P# XP#		PL# XPL#	
Code P.I.EFFE.CI. clamp body	O.D. of Pipe/Tube/Hose			Code P.I.EFFE.CI. Type	Outside diameter in mm	Material of clamp body	Single weld plate S360 and AISI 316L Type	# Type of thread	Elongated weld plate S360 and AISI 316L Type	# Type of thread
	in mm	nominal bore pipe in inch	in inch							
C1 AC1	6			C1	6	##	P1 XP1	M6	PL1 XPL1	M6
	6,4		1/4"	C1	6,4	##				
	8		5/16"	C1	8	##				
	9,5		3/8"	C1	9,5	##				
	10	1/8"		C1	10	##				
	12			C1	12	##				
C2 AC2	12,7		1/2"	C1	12,7	##	P2 XP2	M6	PL2 XPL2	M6
	6			C2	6	##				
	6,4		1/4"	C2	6,4	##				
	8		5/16"	C2	8	##				
	9,5		3/8"	C2	9,5	##				
	10	1/8"		C2	10	##				
C3 AC3	12			C2	12	##	P3 XP3	M6	PL3 XPL3	M6
	12,7		1/2"	C2	12,7	##				
	13,5	1/4"		C3	13,5	##				
	14			C3	14	##				
	15			C3	15	##				
	16		5/8"	C3	16	##				
C4 AC4	17,2	3/8"		C3	17,2	##	P4 XP4	M6	PL4 XPL4	M6
	18			C3	18	##				
	19		3/4"	C4	19	##				
	20			C4	20	##				
	21,3	1/2"		C4	21,3	##				
	22		7/8"	C4	22	##				
C5 AC5	23			C4	23	##	P5 XP5	M6	PL5 XPL5	M6
	25			C4	25	##				
	25,4		1"	C4	25,4	##				
	26,7	3/4"		C5	26,9	##				
	28			C5	28	##				
	29			C5	29	##				
C6 AC6	30			C5	30	##	P6 XP6	M6	PL6 XPL6	M6
	32		1.1/4"	C5	32	##				
	32		1.1/4"	C6	32	##				
	33,7	1"		C6	33,7	##				
	35			C6	35	##				
	38		1.1/2"	C6	38	##				
C7 AC7	40			C6	40	##	P7 XP7	M6	PL7 XPL7	M6
	42,4	1.1/4"		C6	42,4	##				
	45			C6	45	##				
	44,5		1.3/4"	C7	44,5	##				
	45			C7	45	##				
	48,3	1.1/2"		C7	48,3	##				
C8	50			C7	50	##	P8 XP8	M6	PL8 XPL8	M6
	50,8		2"	C7	50,8	##				
	53			C7	53	##				
	54	1.3/4"		C7	54	##				
	57,2		2.1/4"	C8	57,2	##				
	60,3	2"		C8	60,3	##				
C9	63,5		2.1/2"	C8	63,5	##	P9 XP9	M6	PL9 XPL9	M6
	66			C8	66	##				
	70		2.3/4"	C8	70	##				
	73			C8	73	##				
	76,1	2.1/2"	3"	C8	76,1	##				
	88,9	3"	3.1/2"	C9	88,9	##				
102	3.1/2"	4"	C9	102	##					

Twin weld plate PD		Multiple weld plate PM			Upper plate PS	Hexagon head bolt VE	Bushing B	Hexagon head bolt VEB	Socket cap screw TCEI			
 TYPE 1  TYPE 2-7		 TYPE 1  TYPE 2-7			 TYPE 1  TYPE 2-9	WITH UPPER PLATE PS EN ISO 4014 / 4017 	NO UPPER PLATE FOR USE WITH HEXAGON HEAD BOLT VEB 	FOR USE WITH BUSHING B 	EN ISO 4762 			
PD#	#	PM#	#		PS#	VE#	#	B	VEB#	#	TCEI#	#
XPD#	Type of thread	XPM#	Type of thread	Number of clamps	XPS#	XVE#	Type of thread	XB	XVEB#	Type of thread	XTCEI#	Type of thread
Twin weld plate S360 and AISI 316L Type	Type of thread	Multiple weld plate S360 and AISI 316L Type	Type of thread	Number of clamps	Upper plate S360 and AISI 316L Type	Hexagon head bolt Steel 8.8 and A4 Type	Type of thread	Bushing S360 and AISI 316L	Hexagon head bolt Steel 8.8 and A4 Type	Type of thread	Socket cap screw Steel 8.8 and A4 Type	Type of thread
PD1 XPD1	M6	PM1 XPM1	M6	10	PS1 XPS1	VE1 XVE1	(M6x30)	B XB For clamps C1-C7 and AC1-AC7	VEB1 XVEB1	(M6x27)	TCEI1 XTCEI1	(M6x20)
PD2 XPD2	M6	PM2 XPM2	M6	10	PS2 XPS2	VE2 XVE2	(M6x30)		VEB2 XVEB2	(M6x27)	TCEI 2 XTCEI 2	(M6x20)
PD3 XPD3	M6	PM3 XPM3	M6	10	PS3 XPS3	VE3 XVE3	(M6x35)		VEB3 XVEB3	(M6x32)	TCEI 3 XTCEI 3	(M6x25)
PD4 XPD4	M6	PM4 XPM4	M6	10	PS4 XPS4	VE4 XVE4	(M6x40)		VEB4 XVEB4	(M6x35)	TCEI 4 XTCEI 4	(M6x30)
PD5 XPD5	M6	PM5 XPM5	M6	5	PS5 XPS5	VE5 XVE5	(M6x45)		VEB5 XVEB5	(M6x42)	TCEI 5 XTCEI 5	(M6x35)
PD6 XPD6	M6	PM6 XPM6	M6	5	PS6 XPS6	VE6 XVE6	(M6x60)		VEB6 XVEB6	(M6x57)	TCEI 6 XTCEI 6	(M6x50)
PD7 XPD7	M6	PM7 XPM7	M6	5	PS7 XPS7	VE7 XVE7	(M6x70)		VEB7 XVEB7	(M6x65)	TCEI 7 XTCEI 7	(M6x60)
---		---			PS8 XPS8	VE8 XVE8	(M6x100)	---	---		TCEI 8 XTCEI 8	(M6x90)
---		---			PS9 XPS9	VE9 XVE9	(M6x125)	---	---		TCEI 9 XTCEI 9	(M6x110)

PIPE CLAMPS - STANDARD SERIES

Order Codes

Flat washer RP	Safety washer RS	High hexagon head bolt VA	Locking plate PB	Mounting rail BB	Rail nut with rubber ring DF+ AG		
<p>FOR USE WITH SCREW TCEI / VA</p> 	<p>FOR USE WITH HEXAGON HEAD BOLT VE / VEB</p> <p>DIN 93</p>  <p>DIN 463</p> 	<p>FOR OVERLAPPED CLAMPS</p> 	<p>FOR OVERLAPPED CLAMPS</p>  <p>TYPE 1</p>  <p>TYPE 2-9</p>				
RP XRP	RS 6.4 XRS 6.4	VA# XVA#	#	PB#	BB XBB	DF XDF	#
Flat washer S1360 and A4	Safety washer S1360 and A4	High hexagon head bolt S1360 and AISI16L Type	Type of thread	Locking plate S1360 and AISI 316L Type	Mounting rail Steel DX51D and AISI 316L	Rail nut C20 and AISI 316L	Type of thread
<p>RP XRP</p> <p>for clamps C1-C9 and AC1-AC7</p>	<p>RS 6,4 XRS 6,4</p> <p>for clamps C1-C9 and AC1-AC7</p>	VA1 XVA1	M6	PB1 XPB1	<p>BB XBB</p> <p>Available heights 11, 14 and 30mm Available lengths 2m</p>	<p>DF XDF</p>	<p>M6</p>
		VA2 XVA2	M6	PB2 XPB2			
		VA3 XVA3	M6	PB3 XPB3			
		VA4 XVA4	M6	PB4 XPB4			
		VA5 XVA5	M6	PB5 XPB5			
		VA6 XVA6	M6	PB6 XPB6			
		VA7 XVA7	M6	PB7 XPB7			
		VA8 XVA8	M6	PB8 XPB8			
		VA9 XVA9	M6	PB9 XPB9			

MATERIALS AND TYPE OF THREAD COMPONENTS AND ACCESSORIES				Clamp body (two clamp halves)					Single weld plate P					Elongated weld plate (with screw) PL										
All component and accessories are available in: Carbon steel St360 : with finishing surface in white zinc-coated Fe Zn c8 II . Untreated are available on request. Stainless steel inox 316L : (X2 CrNiMo 17-12-2) 1.4404 Marked with X identification code. NB: the BB track is treated with zinc-plating SENDZIMIR . All the components are produced with metric thread, on request are also available with UNC thread. Metric thread: code M UNC thread: code UNC . For material characteristics see pages 12, 78 and 80.				 <p>TYPE 1</p>					 <p>TYPE 1</p>					 <p>TYPE 1</p>										
				 <p>TYPE 2-9</p>					 <p>TYPE 2-9</p>					 <p>TYPE 2-9</p>										
				Material description				Code C Mat. PP-PA-GM Alluminium mat. code AC					Carbon steel St360 code P Stainless steel AISI 316L code XP					Carbon steel St360 code PL Stainless steel AISI 316L code XPL						
Code PI.EFFE.CI. clamp body	O.D. of Pipe/Tube/Hose ØD1			L1	L2	H	S	Width	Code PI.EFFE.CI.	L1	L2	B	S	H	ØD	Code PI.EFFE.CI.	L1	L2	L3	B	S	H	ØD1	ØD2
	in mm	nom. bore pipe	in inch																					
C1 AC1	6			28	9,5	27	0,6	30	P1 XP1	31,5	10	30	3	6,5	12	PL1 XPL1	58	24,5	44	30	3	6,5	12	7
	6,4		1/4"																					
	8		5/16"																					
	9,5	1/8"	3/8"																					
	10																							
12																								
C2 AC2	12,7		1/2"	37	20	27	0,6	30	P2 XP2	36	20	30	3	6,5	12	PL2 XPL2	64	20	50	30	3	6,5	12	7
	6																							
	6,4		1/4"																					
	8		5/16"																					
	9,5		3/8"																					
10	1/8"																							
C3 AC3	12			42	26	33	0,8	30	P3 XP3	42	26	30	3	6,5	12	PL3 XPL3	70	26	56	30	3	6,5	12	7
	12,7		1/2"																					
	13,5	1/4"																						
	14																							
	15																							
	16		5/8"																					
17,2	3/8"																							
C4 AC4	18			50	33	36	0,8	30	P4 XP4	50	33	30	3	6,5	12	PL4 XPL4	78	33	64	30	3	6,5	12	7
	19		3/4"																					
	20																							
	21,3	1/2"																						
	22		7/8"																					
23																								
C5 AC5	25,4		1"	57	40	42	1	30	P5 XP5	60	40	30	3	6,5	12	PL5 XPL5	87	40	73	30	3	6,5	12	7
	26,9	3/4"																						
	28																							
	29																							
	30																							
C6 AC6	32		1.1/4"	71	52	58	1,4	30	P6 XP6	71	52	30	3	6,5	12	PL6 XPL6	100	52	86	30	3	6,5	12	7
	32		1.1/4"																					
	33,7	1"																						
	35																							
	38		1.1/2"																					
	40																							
C7 AC7	42,4	1.1/4"		86	66	66	1,4	30	P7 XP7	88	66	30	3	6,5	12	PL7 XPL7	115	66	100	30	3	6,5	12	7
	45		1.3/4"																					
	48,3	1.1/2"																						
	50																							
	50,8		2"																					
	53																							
C8	54	1.3/4"		121	94	93	2	30	P8 XP8	122	94	30	5	6,5	12	PL8 XPL8	150	94	136	30	5	6,5	12	7
	57,2		2.1/4"																					
	60,3	2"																						
	63,5		2.1/2"																					
	66																							
	70		2.3/4"																					
C9	73			147	120	118	3	30	P9 XP9	148	120	30	5	6,5	12	PL9 XPL9	178	120	162	30	5	6,5	12	7
	76,1	2.1/2"	3"																					
	88,9	3"	3.1/2"																					
102	3.1/2"	4"																						

PIPE CLAMPS - STANDARD SERIES

Dimensions

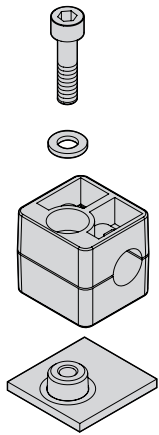
Twin weld plate PD												Multiple weld plate PM						Upper plate PS					Hexagon head bolt VE		Bushing B			Hexagon head bolt VEB	
																							<p>ISO 4014 / 4017</p> <p>FOR UPPER PLATE PS</p>					<p>FOR USE WITH BUSHING B</p>	
Carbon steel St360 code PD Stainless steel AISI 316L c. XPD												Carbon steel St360 code PM Stainless steel AISI 316L c. XPM						Carbon steel St360 c. PD Stainless steel AISI 316L c. XPD					Steel 8.8 code VE Stainless st. A4 code XVE		St360 code B St. AISI 316L code XB			Steel 8.8 c. VEB Stainless st. A4 code XVEB	
Code P.I.EFFE.CI.	L1	L2	L3	B	S	H	ØD	Code P.I.EFFE.CI.	L1	L2	L3	B	S	H	ØD	Code P.I.EFFE.CI.	L1	L2	B	S	ØD	Code P.I.EFFE.CI.	D x L	Code P.I.EFFE.CI.	D1	D2	H	Code P.I.EFFE.CI.	D x L
PD1 XPD1	87	40	40	30	3	6,5	12	PM1 XPM1	312	31	31	30	4	6,5	12	PS1 XPS1	27,5	7	30	3	7	VE1 XVE1	M6x30	B XB	11,5	6,5	8	VEB1 XVEB1	M6x27
PD2 XPD2	76	20	38	30	3	6,5	12	PM2 XPM2	380	20	38	30	4	6,5	12	PS2 XPS2	34,5	20	30	3	7	VE2 XVE2	M6x30					VEB2 XVEB2	M6x27
PD3 XPD3	88	26	44	30	3	6,5	12	PM3 XPM3	440	26	44	30	4	6,5	12	PS3 XPS3	40,5	26	30	3	7	VE3 XVE3	M6x35					VEB3 XVEB3	M6x32
PD4 XPD4	102	33	51	30	3	6,5	12	PM4 XPM4	520	33	52	30	4	6,5	12	PS4 XPS4	48	33	30	3	7	VE4 XVE4	M6x40					VEB4 XVEB4	M6x35
PD5 XPD5	120	40	60	30	3	6,5	12	PM5 XPM5	300	40	60	30	4	6,5	12	PS5 XPS5	56,5	40	30	3	7	VE5 XVE5	M6x45					VEB5 XVEB5	M6x42
PD6 XPD6	150	52	75	30	3	6,5	12	PM6 XPM6	375	52	75	30	4	6,5	12	PS6 XPS6	69,5	52	30	3	7	VE6 XVE6	M6x60					VEB6 XVEB6	M6x57
PD7 XPD7	180	66	90	30	3	6,5	12	PM7 XPM7	450	66	90	30	4	6,5	12	PS7 XPS7	85,5	66	30	3	7	VE7 XVE7	M6x70					VEB7 XVEB7	M6x65
---	---	---	---	---	---	---	---	---	---	---	---	---	---	---	---	PS8 XPS8	118	94	30	5	7	VE8 XVE8	M6x100	---	---	---	---	---	---
---	---	---	---	---	---	---	---	---	---	---	---	---	---	---	---	PS9 XPS9	144	120	30	5	7	VE9 XVE9	M6x125	---	---	---	---	---	---

Socket cap screw TCEI		Flat washer RP			Safety washer RS		High hexagon head bolt VA					Locking plate PB				Mounting rail BB				Rail nut with rubber ring DF+AG									
<i>ISO 4762</i>					<i>DIN 93</i>																								
Steel 8.8 c. TCEI Stainless steel AISI 316L code XTCEI		Carbon steel St360 code RP Stainless steel AISI 316L c. XRP			Carbon steel St360 code RS Stainless steel A4 code XRS		St360 code VA Stainless steel AISI 316L code XVA					Carbon steel St360 code PB Stainless steel AISI 316L code XPB				Steel DX51D code BB Stainless st. AISI 316L c. XBB				Steel C20 code DF Stainless st. AISI 316L code XDF									
Code PI.EFFE.CI.	D x L	Code PI.EFFE.CI.	ØD	ØD1	S	Code PI.EFFE.CI.	ØD	Code PI.EFFE.CI.	D	L1	L2	L3	CH	Code PI.EFFE.CI.	L	B1	B2	S	Code PI.EFFE.CI.	B1	B2	S	Code PI.EFFE.CI.	L	B	H1	H2	ØD	AG
TCEI XTCEI	M6x20	RP XRP	11,5	6,3	0,8	RS XRS	6,4	VA1 XVA1	M6	34	20	14	11	PB1 XPB1	17	32	11,2	1	BB XBB	28	11	2	DF XDF	25,5	10,4	14,5	5,5	11,8	10x2
	M6x20							VA2 XVA2	M6	34	20	14	11	PB2 XPB2	33	28	11,2	1											
	M6x25							VA3 XVA3	M6	39	25	14	11	PB3 XPB3	39	28	11,2	1											
	M6x30							VA4 XVA4	M6	43	29	14	11	PB4 XPB4	47	28	11,2	1											
	M6x35							VA5 XVA5	M6	49	35	14	11	PB5 XPB5	54	28	11,2	1											
	M6x50							VA6 XVA6	M6	64	50	15	11	PB6 XPB6	66	28	11,2	1											
	M6x60							VA7 XVA7	M6	73	59	14	11	PB7 XPB7	80,3	28	11,2	1											
	M6x90							VA8 XVA8	M6	99	85	14	11	PB8 XPB8	117	28	11,2	1											
	M6x110							VA9 XVA9	M6	124	110	14	11	PB9 XPB9	143	28	11,2	1											

PIPE CLAMPS - STANDARD SERIES

Mounting Example

Mounting Example of complete clamp C1 type in Polypropylene for pipe with outside diameter of 12mm with single weld plate.



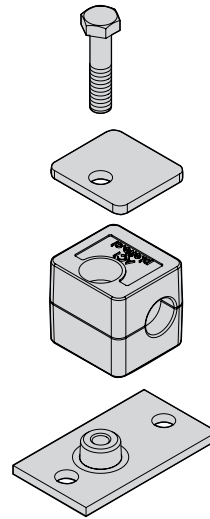
TCEI M6x20
Socked cap screw
in Steel 8.8

N.1 RP
Flat washer in St360

N.1 C1 12 # #
Clamp body
(Two clamp halves)
in Polypropylene

N.1 P1
Weld plate in St360
Metric thread
Surface finishing
white zinc-plating

Mounting Example of complete Aluminium clamp AC1 type for pipe with outside diameter of 12mm with elongated plate with fixing holes and upper plate.



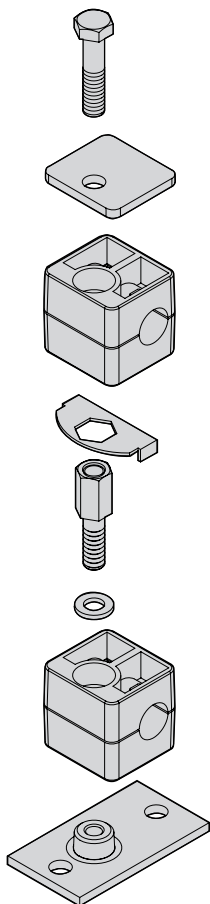
N.1 VE1 M6x30
Hexagon head bolt Steel 8.8
Metric Thread

N.1 PS1
Upper plate in St360
Surface finishing
white zinc-plating

N.1 C1 12 # #
Clamp body
(Two clamp halves)
in Aluminium

N.1 PL1
Elongated plate with fixing holes
in St 360 Metric thread
Surface finishing
white zinc-plating

Mounting Example of complete stacked clamp C1 in Rubber for pipe with outside diameter of 12mm, elongated plate with fixing holes and upper plate.



N.1 VE1 M6x30
Hexagon head bolt
Steel 8.8 Metric Thread

N.1 PS1
Upper plate in St360
Surface finishing
white zinc-plating

N.1 C1 12 # #
Clamp body
(Two clamp halves)
in Rubber

N.1 PB1
Locking plate Steel St360
Surface finishing white zinc-plating

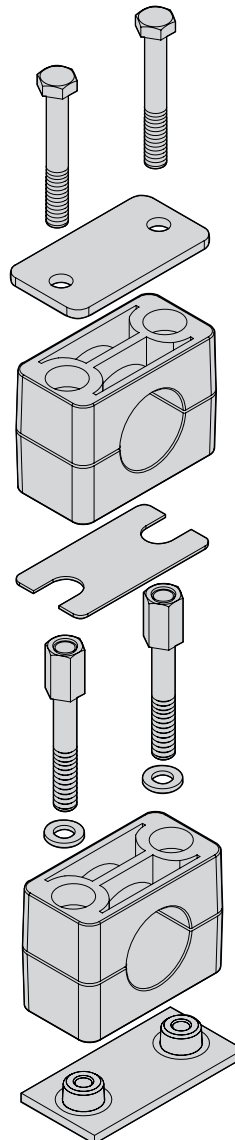
N.1 VA1
Stacking bolt in St360
Metric thread

N.1 RP
Flat washer in St360

N.1 C1 12 # #
Clamp body
(Two clamp halves)
in Rubber

N.1 PL1
Elongated plate with fixing holes
in St 360 Metric thread
Surface finishing
white zinc-plating

Mounting Example of complete stacked clamp C5 in Polypropylene for pipe with outside diameter of 30mm single weld plate and upper plate.



N.2 VE5 M6x45
Hexagon head bolt
Steel 8.8 Metric Thread

N.1 PS5
Upper plate in St360
Surface finishing
white zinc-plating

N.1 C5 30 # #
Clamp body
(Two clamp halves)
in Polypropylene

N.1 PB5
Locking plate Steel St360
Surface finishing white zinc-plating

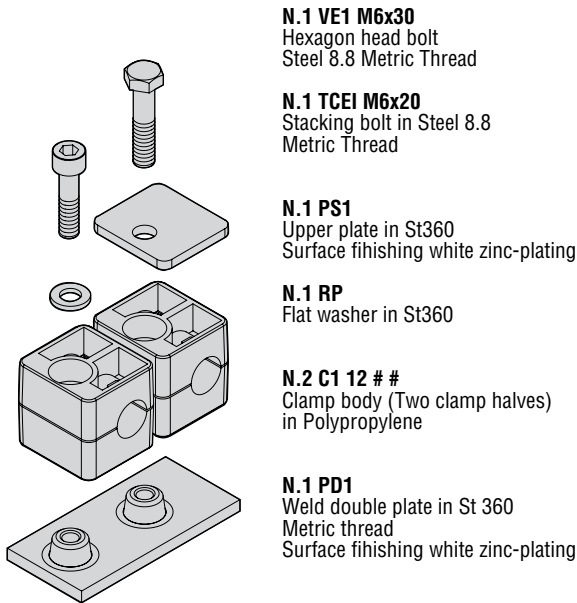
N.2 VA5
Stacking bolt in St360
Metric thread

N.2 RP
Flat washer in St360

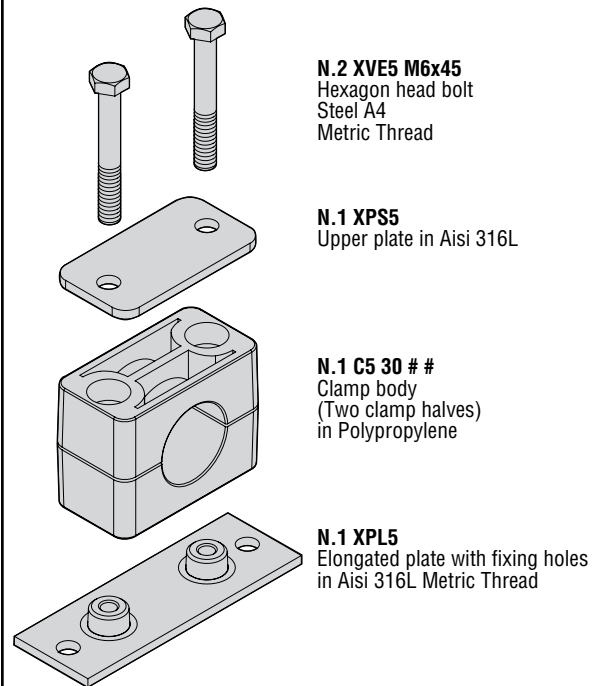
N.1 C5 30 # #
Clamp body
(Two clamp halves)
in Polypropylene

N.1 P5
Weld plate in St 360
Metric thread
Surface finishing
white zinc-plating

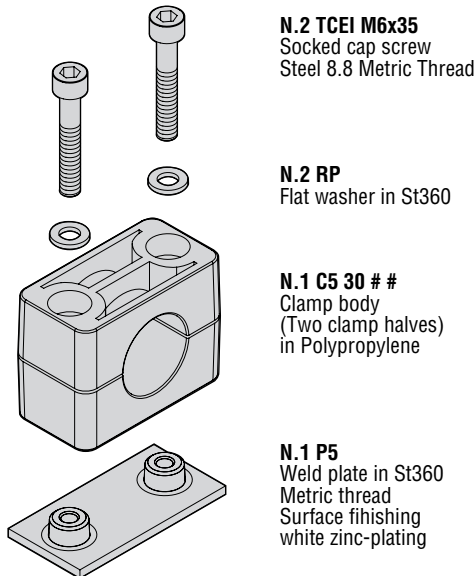
Mounting Example of complete clamp C1 type side by side in Polypropylene for pipe with outside diameter of 12mm, with double weld plate and upper plate.



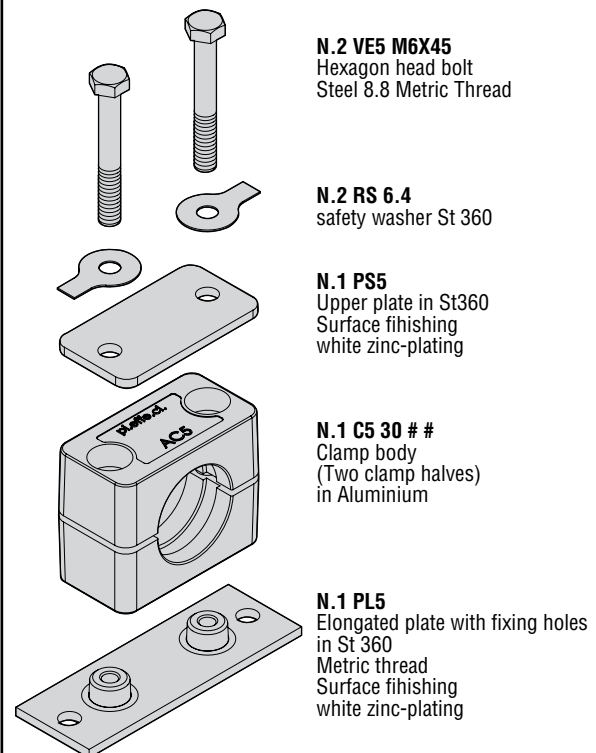
Mounting Example of complete clamp C5 in Polypropylene for pipe with outside diameter of 30mm, elongated plate with fixing holes and upper plate.



Mounting Example of complete clamp C5 in Polypropylene for pipe with outside diameter of 30mm, with single weld plate.



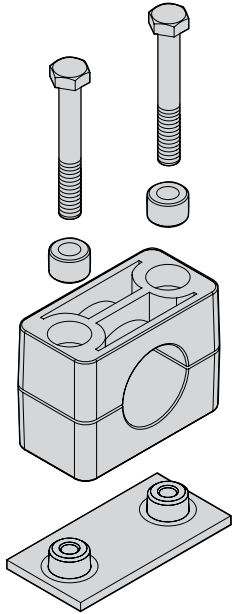
Mounting Example of complete clamp C5 in Aluminium for pipe with outside diameter of 30mm, elongated plate with fixing holes and upper plate.



PIPE CLAMPS - STANDARD SERIES

Mounting Example

Mounting Example of complete clamp C5 in Rubber for pipe with outside diameter of 30mm, with single weld plate with bushing.



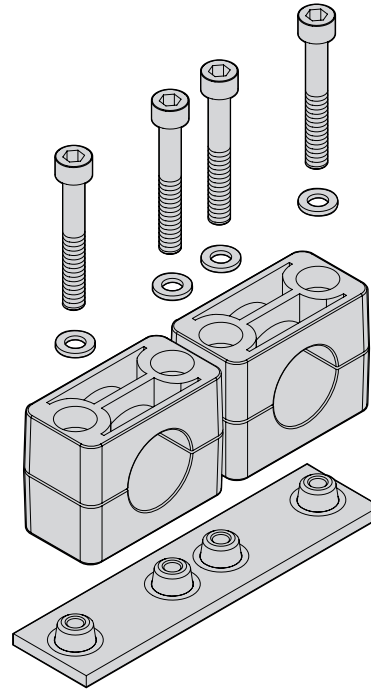
N.2 VEB5 M6x42
Hexagon head bolt
Steel 8.8 Metric Thread

N.2 B
Bushing in St360
Surface finishing
white zinc-plating

N.1 C5 30 ##
Clamp body
(Two clamp halves)
in Rubber

N.1 P5
Weld plate in St360
Metric thread
Surface finishing
white zinc-plating

Mounting Example of complete clamp C5 type side by side in polypropylene for pipe with outside diameter of 30mm, with double weld plate.



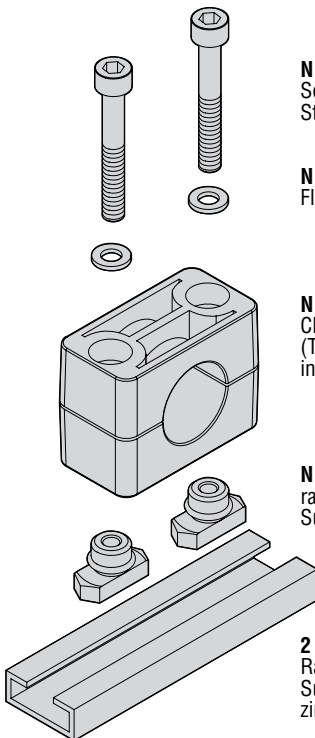
N.4 TCEI M6x35
Socketed cap screw
Steel 8.8 Metric Thread

N.4 RP
Flat washer in St360

N.2 C5 30 ##
Clamp body
(Two clamp halves)
in Polypropylene

N.1 PD5
Weld double plate in St360
Metric thread
Surface finishing
white zinc-plating

Mounting Example of complete clamp C5 in Polypropylene for pipe with outside diameter of 30mm, mounting rail nut.



N.2 TCEI M6x35
Socketed cap screw
Steel 8.8 Metric Thread

N.2 RP
Flat washer in St360

N.1 C5 30 ##
Clamp body
(Two clamp halves)
in Polypropylene

N.2 DFM06+AG
rail nut in steel C20 Metric thread
Surface finishing white zinc-plating

2 Meters BB 28x11
Rail in steel DX 51D
Surface finishing
zinc-plating

NOTES

: Material clamp body

PP: Polypropylene

PA: Polyamide

A: Aluminium

GM: Rubber

Material ring AG: Rubber NBR

MECHANICAL CHARACTERISTICS

Hardness shore: 70 A (ASTM D 2240)

Density: g/cm³ 1.25 (ASTM D 792)

Tensile strength: MPa 14.3 (ASTM D 412 C)

Elongation at break: % 390

Tear strength: N/mm 49 (ASTM D 624 B)

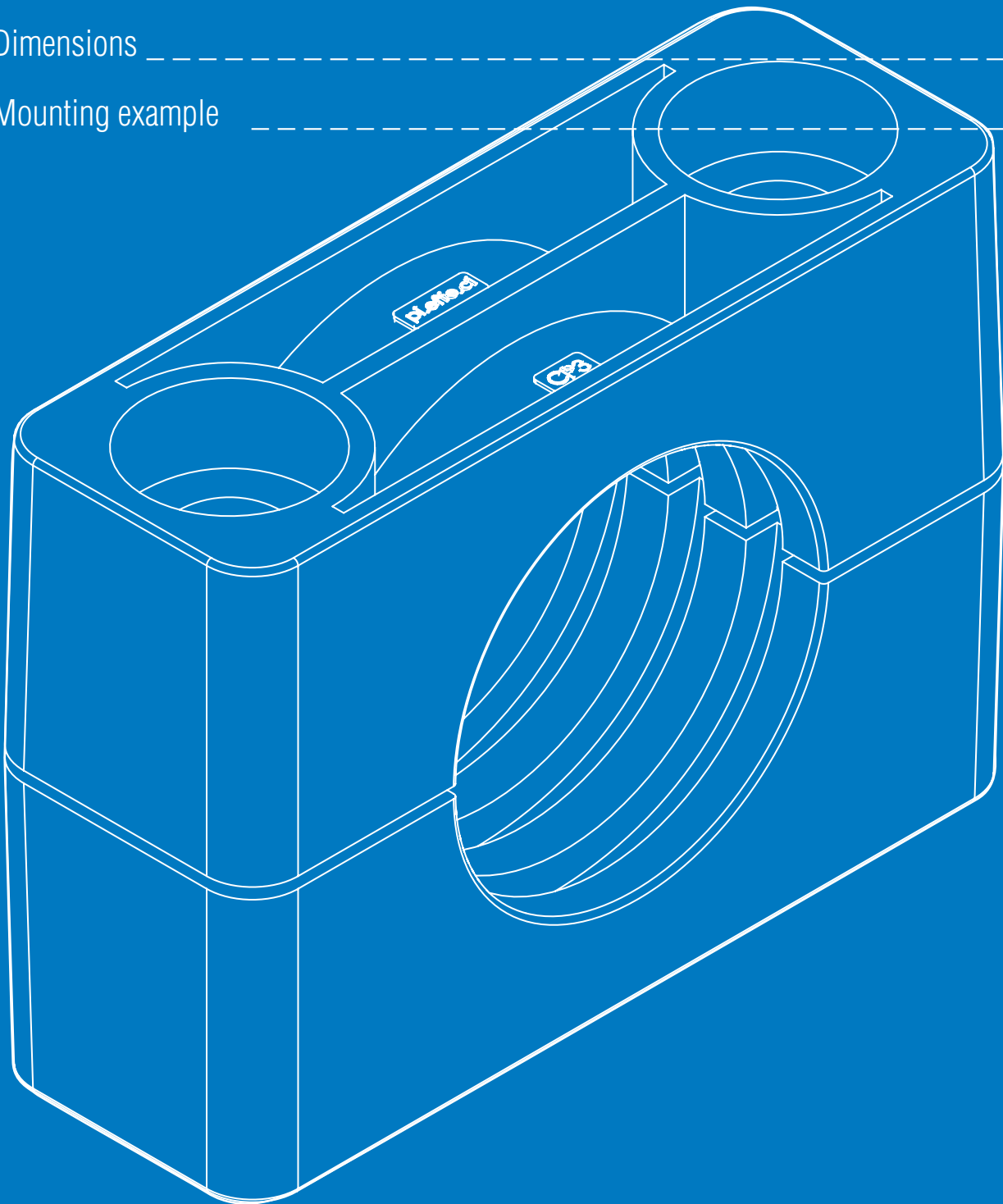
THERMAL CHARACTERISTICS

Operating temperature range: -30°C to +120°C

HEAVY Series Clamps

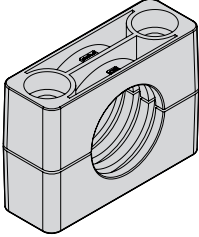
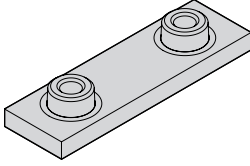
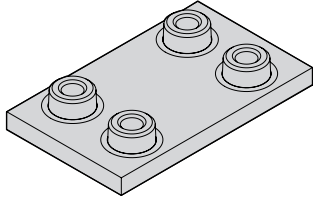
DIN 3015, Part 2

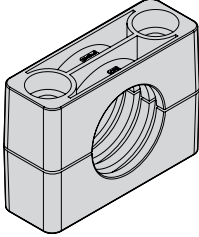
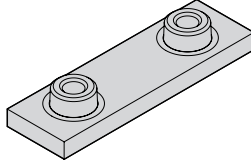
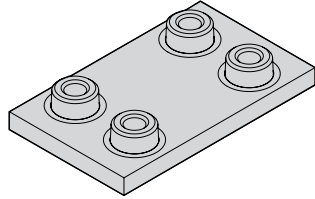
- Order codes p 14
- Dimensions p 18
- Mounting example p 23



PIPE CLAMPS - HEAVY SERIES

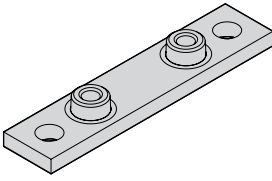
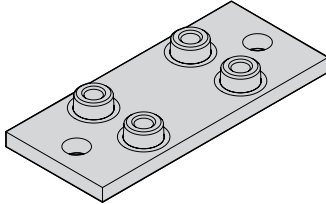
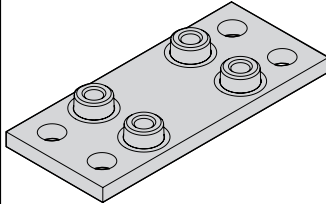
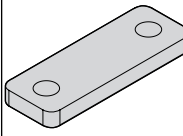
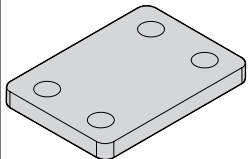
Order Codes

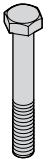
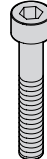
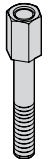

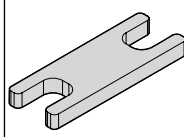
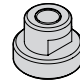
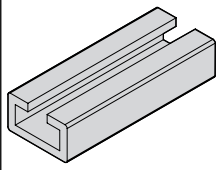
PIPE CLAMPS MATERIAL				Clamp body (two clamp halves)			Single weld plate P CP		Double weld plate CDP CP	
Code PP : Polypropylene material Colour Blue NB: other colours on demand.				 <p>TYPE 1-10</p>			 <p>TYPE 1-10</p>		 <p>TYPE 1-10</p>	
Code PA : Polyamide material Colour Black .										
Code GM : Rubber Elastomer material Colour Black from CP1 to CP5.										
Code AL : Aluminium material Colour Aluminium .										
Internal surface clamp body Profiled .										
For Dimensions see pages 18-22. For material characteristics see pages 24, 78 and 80.										
Components description				## - ##, ## - ##			P CP# XP CP#		CDP CP# XCDP CP#	
Code PI, EFFE, CI. Clamp body	O. D. of Pipe/Tube/Hose			Code PI, EFFE, CI. Type	Outside diameter in mm	Material of clamp body	Single weld plate S1430 and AISI 316L Type	Type of thread	Double weld plate S1430 and AISI 316L Type	Type of thread
	in mm	nominal bore pipe in inch	in inch							
CP1 AL CP1	6			CP1	6	##	P CP1 XP CP1	M10	CDP CP1 XCDP CP1	M10
	6,4		1/4"	CP1	6,4	##				
	8			CP1	8	##				
	9,5		3/8"	CP1	9,5	##				
	10	1/8"		CP1	10	##				
	12			CP1	12	##				
	12,7		1/2"	CP1	12,7	##				
	13,5	1/4"		CP1	13,5	##				
	14			CP1	14	##				
	15			CP1	15	##				
	16		5/8"	CP1	16	##				
	17,2	3/8"		CP1	17,2	##				
18			CP1	18	##					
19		3/4"	CP1	19	##					
20			CP1	20	##					
CP2 AL CP2	19		3/4"	CP2	19	##	P CP2 XP CP2	M10	CDP CP2 XCDP CP2	M10
	20			CP2	20	##				
	21,3	1/2"		CP2	21,3	##				
	22		7/8"	CP2	22	##				
	25		1"	CP2	25	##				
	25,4			CP2	25,4	##				
	26,9	3/4"		CP2	26,9	##				
28			CP2	28	##					
30			CP2	30	##					
CP3 AL CP3	30			CP3	30	##	P CP3 XP CP3	M10	CDP CP3 XCDP CP3	M10
	32		1.1/4"	CP3	32	##				
	33,7	1"		CP3	33,7	##				
	35			CP3	35	##				
	36			CP3	36	##				
	38		1.1/2"	CP3	38	##				
	40			CP3	40	##				
	42,4	1.1/4"		CP3	42,4	##				
43			CP3	43	##					
45			CP3	45	##					
CP4 AL CP4	33,7	1"		CP4	33,7	##	P CP4 XP CP4	M12	CDP CP4 XCDP CP4	M12
	38		1.1/2"	CP4	38	##				
	40			CP4	40	##				
	42,4	1.1/4"		CP4	42,4	##				
	44,5		1.3/4"	CP4	44,5	##				
	45			CP4	45	##				
	48,3	1.1/2"		CP4	48,3	##				
	50			CP4	50	##				
	50,8		2"	CP4	50,8	##				
	53			CP4	53	##				
	54	1.3/4"		CP4	54	##				
	55			CP4	55	##				
	56			CP4	56	##				
	57,2		2.1/4"	CP4	57,2	##				
	60,3	2"		CP4	60,3	##				
63,5		2.1/2"	CP4	63,5	##					
65			CP4	65	##					
70		2.3/4"	CP4	70	##					

PIPE CLAMPS MATERIAL				Clamp body (two clamp halves)			Single weld plate P CP		Double weld plate CDP CP	
Code PP : Polypropylene material Colour Blue NB: other colours on demand.				 <p>TYPE 1-10</p>			 <p>TYPE 1-10</p>		 <p>TYPE 1-10</p>	
Code PA : Polyamide material Colour Black .										
Code GM : Rubber Elastomer material Colour Black from CP1 to CP5.										
Code AL : Aluminium material Colour Aluminium .										
Internal surface clamp body Profiled .										
For Dimensions see pages 18-22. For material characteristics see pages 24, 78 and 80.										
Components description				## - ##, ## - ##			P CP# XP CP#		CDP CP# XCDP CP#	
Code PI.EFFE.CI. Clamp body	O.D. of Pipe/Tube/Hose			Code PI.EFFE.CI. Type	Outside diameter in mm	Material of clamp body	Single weld plate S1430 and AISI 316L Type	Type of thread	Double weld plate S1430 and AISI 316L Type	Type of thread
	in mm	nominal bore pipe in inch	in inch							
CP5 AL CP5	60,3	2"		CP5	60,3	##	P CP5 XP CP5	M16	CDP CP5 XCDP CP5	M16
	65			CP5	65	##				
	66	2.1/4"		CP5	66	##				
	70		2.3/4"	CP5	70	##				
	73			CP5	73	##				
	76,1	2.1/2"	3"	CP5	76	##				
	80			CP5	80	##				
	85			CP5	85	##				
	88,9	3"	3.1/2"	CP5	88,9	##				
90			CP5	90	##					
CP6 AL CP6	100			CP6	100	##	P CP6 XP CP6	M20	CDP CP6 XCDP CP6	M20
	101,6		4"	CP6	101,6	##				
	102	3.1/2"		CP6	102	##				
	108		4.1/4"	CP6	108	##				
	114	4"	4.1/2"	CP6	114,3	##				
	121			CP6	121	##				
126,5	4.1/2"		CP6	126,5	##					
CP7 AL PC7	127		5"	CP7	127	##	P CP7 XP CP7	M24	CDP CP7 XCDP CP7	M24
	133		5.1/4"	CP7	133	##				
	140	5"		CP7	140	##				
	146			CP7	146	##				
	150			CP7	150	##				
	152		6"	CP7	152	##				
	154			CP7	154	##				
	159		6.1/4"	CP7	159	##				
	165		6.1/2"	CP7	165	##				
168	6"		CP7	168	##					
CP8 AL CP8	168	6"		CP8	168	##	P CP8 XP CP8	M30	CDP CP8 XCDP CP8	M30
	177,8		7"	CP8	177,8	##				
	193,7		7.5/8"	CP8	193,7	##				
	203		8"	CP8	203	##				
CP9 AL CP9	219	8"		CP9	219	##	P CP9 XP CP9	M30	CDP CP9 XCDP CP9	M30
	273	10"		CP9	273	##				
	324	12"		CP9	324	##				
CP10 AL CP10	356	14"		CP10	356	##	P CP10 XP CP10	M30	CDP CP10 XCDP CP10	M30
	406	16"		CP10	406	##				

PIPE CLAMPS - HEAVY SERIES

Order Codes

Elongated weld plate (with screw) PL CP		Elongated double weld plate (with screw) CDPL CP		Elongated double weld plate (with screw) CDPL CP		Upper plate PS CP	Double upper plate CDPS CP
							
TYPE 1-10		TYPE 1-7		TYPE 8-10		TYPE 1-10	TYPE 1-10
PL CP# XPL CP#	#	CDPL CP# XCDPL CP#	#	CDPL CP# XCDPL CP#	#	PS CP # XPS CP #	CDPS CP # XCDPS CP #
Elongated weld plate S430 and AISI 316L Type	Type of thread	Elongated double weld plate S430 and AISI 316L Type	Type of thread	Elongated double weld plate S430 and AISI 316L Type	Type of thread	Upper plate S430 and AISI 316L Type	Double upper plate S430 and AISI 316L Type
PL CP1 XPL CP1	M10	CDPL CP1 XCDPL CP1	M10	---	---	PS CP1 XPS CP1	CDPS CP1 XCDPS CP1
PL CP2 XPL CP2	M10	CDPL CP2 XCDPL CP2	M10	---	---	PS CP2 XPS CP2	CDPS CP2 XCDPS CP2
PL CP3 XPL CP3	M10	CDPL CP3 XCDPL CP3	M10	---	---	PS CP3 XPS CP3	CDPS CP3 XCDPS CP3
PL CP4 XPL CP4	M12	CDPL CP4 XCDPL CP4	M12	---	---	PS CP4 XPS CP4	CDPS CP4 XCDPS CP4
PL CP5 XPL CP5	M16	CDPL CP5 XCDPL CP5	M16	---	---	PS CP5 XPS CP5	CDPS CP5 XCDPS CP5
PL CP6 XPL CP6	M20	CDPL CP6 XCDPL CP6	M20	---	---	PS CP6 XPS CP6	CDPS CP6 XCDPS CP6
PL CP7 XPL CP7	M24	CDPL CP7 XCDPL CP7	M24	---	---	PS CP7 XPS CP7	CDPS CP7 XCDPS CP7
PL CP8 XPL CP8	M30	---	---	CDPL CP8 XCDPL CP8	M30	PS CP8 XPS CP8	CDPS CP8 XCDPS CP8
PL CP9 XPL CP9	M30	---	---	CDPL CP9 XCDPL CP9	M30	PS CP9 XPS CP9	CDPS CP9 XCDPS CP9
PL CP10 XPL CP10	M30	---	---	CDPL CP10 XCDPL CP10	M30	PS CP10 XPS CP10	CDPS CP10 XCDPS CP10

Hexagon head bolt TE CP		Socket cap screw TCEI CP		High hexagon head bolt VA CP		Safety washer RS CP		Locking plate PB CP		Rail nut with rubber ring DF P		Mounting rail BB P	
For use with upper plate PSCP / CDPSCP EN ISO 4014 / 4017		EN ISO 4762 for use without upper plate		For overlapped clamps		For use with hexagon head bolt TE / XTE DIN 93		For overlapped clamps		AGP		TO TYPE 4	
													
TE CP# XTE CP#		TCEI CP# XTCEI CP#		VA CP# XVA CP#		RS CP# XRS CP#		PB CP# XPB CP#		DFP XDFP		BB P XBB P	
Hexagon head bolt Steel 8.8 and A4 Type	Type of thread	Socket cap screw Steel 8.8 and A4 Type	Type of thread	High hexagon head bolt Steel S1360 and AISI 316L Type	Type of thread	Safety washer S1360 and AISI 316L Type	Locking plate S1430 and AISI 316L Type	Rail nut S1360 and AISI 316L	Type of thread	Mounting rail Steel S1360 and AISI 316L			
TE CP1 XTE CP1	M10x45	TCEI CP1 XTCEI CP1	M10x30	VA CP1 XVA CP1	M10	RS CP1 XRS CP1 10,5	PB CP1 XPB CP1	DF P XDF P	M10	BB P XBB P available length 1m and 2m			
TE CP2 XTE CP2	M10x60	TCEI CP2 XTCEI CP2	M10x40	VA CP2 XVA CP2	M10	RS CP2 XRS CP2 10,5	PB CP2 XPB CP2						
TE CP3 XTE CP3	M10x70	TCEI CP3 XTCEI CP3	M10x50	VA CP3 XVA CP3	M10	RS CP3 XRS CP3 10,5	PB CP3 XPB CP3						
TE CP4 XTE CP4	M12x100	TCEI CP4 XTCEI CP4	M12x80	VA CP4 XVA CP4	M12	RS CP4 XRS CP4 13,0	PB CP4 XPB CP4	DF P XDF P	M12				
TE CP5 XTE CP5	M16x130	---	---	VA CP5 XVA CP5	M16	RS CP5 XRS CP5 17,0	PB CP5 XPB CP5	---	---				
TE CP6 XTE CP6	M20x190	---	---	VA CP6 XVA CP6	M20	RS CP6 XRS CP6 21,0	PB CP6 XPB CP6	---	---				
TE CP7 XTE CP7	M24x220	---	---	VA CP7 XVA CP7	M24	RS CP7 XRS CP7 25,0	PB CP7 XPB CP7	---	---				
TE CP8 XTE CP8	M30x300	---	---	VA CP8 XVA CP8	M30	RS CP8 XRS CP8 31,0	PB CP8 XPB CP8	---	---				
TE CP9 XTE CP9	M30x450	---	---	---	---	RS CP9 XRS CP9 31,0	---	---	---				
TE CP10 XTE CP10	M30x560	---	---	---	---	RS CP10 XRS CP10 31,0	---	---	---				

PIPE CLAMPS - HEAVY SERIES

Dimensions

MATERIALS AND TYPE OF THREAD COMPONENTS AND ACCESSORIES				Clamp body (two clamp halves)					Single weld plate P CP					Double weld plate CDP CP											
All components and accessories are available in: Carbon steel St430 with finishing surface in white zinc-coated Fe Zn c8 II. Untreated area available on request. Stainless steel inox 316L : (X2 CrNiMo17-12-2) 1.4404 marked with X identification code. All the components are produced with metric thread, on request are also available with UNC thread. Metric thread: code M . UNC thread: code UNC . For material characteristics see pages 24, 78 and 80.																									
																					TYPE 1-10				
				Materials description				Material PP-PA-GM code CP Aluminium mat. code AL CP					Carbon steel St430 code P CP Stainless st. AISI 316L code XP CP					Carbon steel St430 code CDP CP Stainless st. AISI 316L code XCDP CP							
				Code PI.EFFE.CI. Clamp body	O.D. of Pipe/Tube/Hose ØD1			L1	L2	H	S	Width	Code PI.EFFE.CI.	L1	L2	B	S	H	D	ØD1	Code PI.EFFE.CI.	L1	L2	B1	B2
in mm	nominal bore pipe in inch	in inch																							
CP1 AL CP1	6			57	33	33	1	30	P CP1 XP CP1	74	33	30	8	8	M10	18	CDP CP1 XCDP CP1	74	33	60	31	8	8	M10	18
	6,4		1/4"																						
	8																								
	9,5	1/8"	3/8"																						
	10																								
	12																								
	12,7	1/4"	1/2"																						
	14																								
	15																								
	16		5/8"																						
CP2 AL CP2	17,2	3/8"		69	45	49	1	30	P CP2 XP CP2	86	45	30	8	8	M10	18	CDP CP2 XCDP CP2	86	45	60	31	8	8	M10	18
	18																								
	19		3/4"																						
	20																								
	19		3/4"																						
	20																								
	21,3	1/2"																							
	22		7/8"																						
CP3 AL CP3	25			84	60	60	1,2	30	P CP3 XP CP3	100	60	30	8	8	M10	18	CDP CP3 XCDP CP3	100	60	60	31	8	8	M10	18
	25,4		1"																						
	26,9	3/4"																							
	28																								
	30																								
	30																								
	32		1.1/4"																						
	33,7	1"																							
CP4 AL CP4	35			116	90	88	2	45	P CP4 XP CP4	140	90	45	10	8	M12	20	CDP CP4 XCDP CP4	140	90	90	46	10	8	M12	20
	36																								
	38		1.1/2"																						
	40																								
	42,4	1.1/4"																							
	44,5		1.3/4"																						
	45																								
	48,3	1.1/2"																							
	50																								
	50,8		2"																						
	53																								
	54	1.3/4"																							
	55																								
	56																								
57,2		2.1/4"																							
60,3		2"																							
63,5		2.1/2"																							
65																									
70		2.3/4"																							

MATERIALS AND TYPE OF THREAD COMPONENTS AND ACCESSORIES				Clamp body (two clamp halves)					Single weld plate P CP							Double weld plate CDP CP									
All components and accessories are available in: Carbon steel St430 with finishing surface in white zinc-coated Fe Zn c8 II. Untreated area available on request. Stainless steel inox 316L : (X2 CrNiMo17-12-2) 1.4404 marked with X identification code. All the components are produced with metric thread, on request are also available with UNC thread. Metric thread: code M . UNC thread: code UNC . For material characteristics see pages 24, 78 and 80.																									
																							TYPE 1-10		
Materials description				Material PP-PA-GM code CP Aluminium mat. code AL CP					Carbon steel St430 code P CP Stainless st. AISI 316L code XP CP							Carbon steel St430 code CDP CP Stainless st. AISI 316L code XCDP CP									
Code PI.EFFE.CI. Clamp body	O.D. of Pipe/Tube/Hose ØD1			L1	L2	H	S	Width	Code PI.EFFE.CI.	L1	L2	B	S	H	D	ØD1	Code PI.EFFE.CI.	L1	L2	B1	B2	S	H	D	ØD1
	in mm	nominal bore pipe in inch	in inch																						
CP5 AL CP5	60,3	2"		155	122	118	2	60	P CP5 XP CP5	180	122	60	10	12	M16	24	CDP CP5 XCDP CP5	180	122	120	61	10	12	M16	24
	65																								
	66	2.1/4"																							
	70		2.3/4"																						
	73																								
	76,1	2.1/2"	3"																						
	80																								
	85																								
	88,9	3"	3.1/2"																						
90																									
CP6 AL CP6	100			205	168	165	3	80	P CP6 XP CP6	226	168	80	15	17	M20	30	CDP CP6 XCDP CP6	226	168	160	81	15	17	M20	30
	101,6		4"																						
	102	3.1/2"																							
	108		4.1/4"																						
	114,3	4"	4.1/2"																						
	121																								
126,5	4.1/2"																								
CP7 AL CP7	127		5"	255	205	200	4	90	P CP7 XP CP7	270	205	90	15	21	M24	35	CDP CP7 XCDP CP7	270	205	180	91	15	21	M24	35
	133		5.1/4"																						
	140	5"																							
	146																								
	150																								
	152		6"																						
	154																								
	159		6.1/4"																						
	165		6.1/2"																						
168	6"																								
CP8 AL CP8	168	6"		320	265	270	4	120	P CP8 XP CP8	340	265	120	25	21	M30	45	CDP CP8 XCDP CP8	340	265	240	121	25	21	M30	45
	177,8		7"																						
	193,7		7.5/8"																						
	203		8"																						
CP9 AL CP9	219	8"		470	395	410	10	160	P CP9 XP CP9	520	395	160	30	38	M30	50	CDP CP9 XCDP CP9	520	395	320	166	30	38	M30	50
	273	10"																							
	324	12"																							
CP10 AL CP10	356	14"		640	534	530	20	180	P CP10 XP CP10	680	534	180	30	38	M30	50	CDP CP10 XCDP CP10	680	534	360	186	30	38	M30	50
	406	16"																							

PIPE CLAMPS - HEAVY SERIES

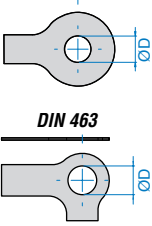
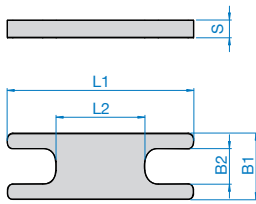
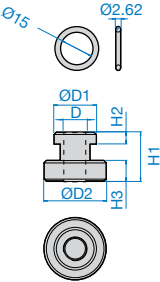
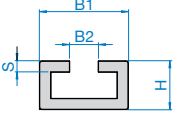
Dimensions

Elongated single weldplate (with screw) PL CP											Elongated double weld plate (with screw) CDPL CP											Elongated double weld plate (with screw) CDPL CP																			
<p>TYPE 1-10</p>											<p>TYPE 1-7</p>											<p>TYPE 8-10</p>																			
Carbon steel St430 code PL CP Stainless steel AISI 316L code XPL CP											Carbon steel St430 code CDPL CP Stainless steel AISI 316L code XCDPL CP											Carbon steel St430 code CDPL CP Stainless steel AISI 316L code XCDPL CP																			
Code P.I.EFFE.CI.	L1	L2	L3	B	S	H	D	ØD1	ØD2		Code P.I.EFFE.CI.	L1	L2	L3	B1	B2	S	H	D	ØD1	ØD2		Code P.I.EFFE.CI.	L1	L2	L3	B1	B2	S	H	D	ØD1	ØD2								
PL CP1 XPL CP1	113	33	85	30	8	8	M10	18	13		CDPL CP1 XCDPL CP1	113	33	85	60	31	8	8	M10	18	13																				
PL CP2 XPL CP2	125	45	97	30	8	8	M10	18	13		CDPL CP2 XCDPL CP2	125	45	97	60	31	8	8	M10	18	13																				
PL CP3 XPL CP3	140	60	112	30	8	8	M10	18	13		CDPL CP3 XCDPL CP3	140	60	112	60	31	8	8	M10	18	13																				
PL CP4 XPL CP4	187	90	155	45	10	8	M12	20	16		CDPL CP4 XCDPL CP4	187	90	155	90	46	10	8	M12	20	16																				
PL CP5 XPL CP5	238	122	198	60	10	12	M16	24	21		CDPL CP5 XCDPL CP5	238	122	198	120	61	10	12	M16	24	21																				
PL CP6 XPL CP6	309	168	259	80	15	17	M20	30	26		CDPL CP6 XCDPL CP6	309	168	259	160	81	15	17	M20	30	26																				
PL CP7 XPL CP7	370	205	310	90	15	21	M24	35	31		CDPL CP7 XCDPL CP7	370	205	310	180	91	15	21	M24	35	31																				
PL CP8 XPL CP8	440	265	380	120	25	21	M30	45	31														CDPL CP8 XCDPL CP8	440	265	380	240	121	25	21	M30	45	31								
PL CP9 XPL CP9	590	395	530	160	30	38	M30	50	31														CDPL CP9 XCDPL CP9	590	395	530	320	166	30	38	M30	50	31								
PL CP10 XPL CP10	750	534	690	180	30	38	M30	50	31														CDPL CP10 XCDPL CP10	750	534	690	360	186	30	38	M30	50	31								

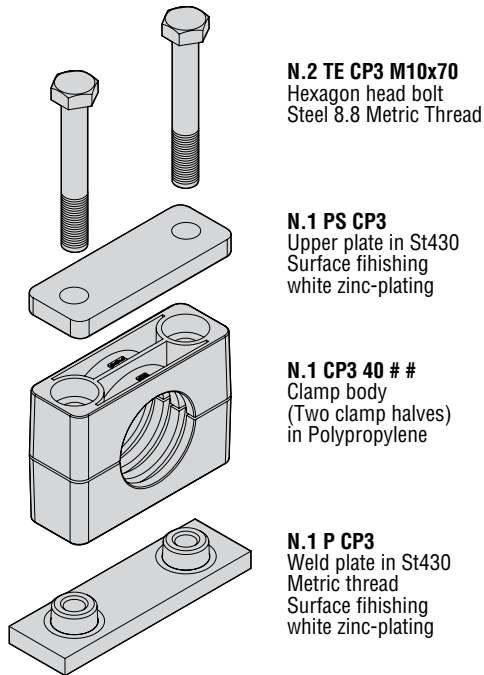
Upper plate PS CP		Double upper plate CDPS CP				Hexagon head bolt TE CP		Scket cap screw TCEI CP		High hexagon head bolt VA CP													
<p>TYPE 1-10</p>		<p>TYPE 1-10</p>				<p>EN 4014 / 4017 for use with upper plate PSCP</p>		<p>ISO 4762</p> <p>TYPE 1-4</p>		<p>TYPE 1-8</p>													
Carbon st. S1430 code PS CP Stainless st. AISI 316L XPS CP		Carbon st. S1430 code CDPS CP Stainless st. AISI 316L XCDPS CP				Steel 8.8 code TE CP Steel A4 code XTE CP		Steel 8.8 code TCEI CP Steel A4 code XTCEI CP		S1360 code VA CP Stainless steel AISI 316L code XVA CP													
Code PI.EFFE.CI.	L1	L2	B	S	ØD1	Code PI.EFFE.CI.	L1	L2	B1	B2	S	ØD	Code PI.EFFE.CI.	DxL	Code PI.EFFE.CI.	DxL	Code PI.EFFE.CI.	D	L1	L2	L3	CH	
PS CP1 XPS CP1	56	33	30	8	11	CDPS CP1 XCDPS CP1	56	33	60	31	8	11	TE CP1 XTE CP1	M10x45	TCEI CP1 XTCEI CP1	M10x30	VA CP1 XVA CP1	M10	49	25	18	15	
PS CP2 XPS CP2	69	45	30	8	11	CDPS CP2 XCDPS CP2	69	45	60	31	8	11	TE CP2 XTE CP2	M10x60	TCEI CP2 XTCEI CP2	M10x40	VA CP2 XVA CP2	M10	65	40	18	15	
PS CP3 XPS CP3	84	60	30	8	11	CDPS CP3 XCDPS CP3	84	60	60	31	8	11	TE CP3 XTE CP3	M10x70	TCEI CP3 XTCEI CP3	M10x50	VA CP3 XVA CP3	M10	77	51	18	15	
PS CP4 XPS CP4	115	90	45	10	13	CDPS CP4 XCDPS CP4	115	90	90	46	10	13	TE CP4 XTE CP4	M12x100	TCEI CP4 XTCEI CP4	M12x80	VA CP4 XVA CP4	M12	110	82	25	17	
PS CP5 XPS CP5	152	122	60	10	18	CDPS CP5 XCDPS CP5	152	122	120	61	10	18	TE CP5 XTE CP5	M16x130	---	---	VA CP5 XVA CP5	M16	144	110	25	21	
PS CP6 XPS CP6	205	168	80	15	22	CDPS CP6 XCDPS CP6	205	168	160	81	15	22	TE CP6 XTE CP6	M20x190	---	---	VA CP6 XVA CP6	M20	200	150	40	27	
PS CP7 XPS CP7	251	205	90	15	26	CDPS CP7 XCDPS CP7	251	205	180	91	15	26	TE CP7 XTE CP7	M24x220	---	---	VA CP7 XVA CP7	M24	240	180	50	30	
PS CP8 XPS CP8	320	265	120	25	32	CDPS CP8 XCDPS CP8	320	265	240	121	25	32	TE CP8 XTE CP8	M30x300	---	---	VA CP8 XVA CP8	M30	331	256	60	46	
PS CP9 XPS CP9	470	395	160	30	32	CDPS CP9 XCDPS CP9	470	395	320	166	30	32	TE CP9 XTE CP9	M30x450	---	---	---	---	---	---	---	---	---
PS CP10 XPS CP10	630	534	180	30	35	CDPS CP10 XCDPS CP10	630	534	361	186	30	35	TE CP10 XTE CP10	M30x560	---	---	---	---	---	---	---	---	---

PIPE CLAMPS - HEAVY SERIES

Dimensions

Safety washer RS CP		Locking plate PB CP						Rail nut with rubber ring DFP+AG						Mounting rail BB P					
for use with hexagon head bolt TECP DIN 93 		 <p>TYPE 1-8</p>						 <p>TO TYPE 4</p>						 <p>TO TYPE 4</p>					
Carbon steel St360 code RS CP Stainless steel A4 code XRS CP		Carbon steel St430 code PB CP Stainless steel AISI 316L code XPB CP						St360 code DF P Stainless steel AISI 316L code XDF P						Carbon steel St360 code BB P Stainless steel AISI 316L code XBB P					
Code PI.EFFE.CI.	ØD	Code PI.EFFE.CI.	L1	L2	B1	B2	S	Code PI.EFFE.CI.	ØD1	ØD2	H1	H2	H3	D	Code PI.EFFE.CI.	B1	B2	H	S
PS CP1 XPS CP1	10,5	PB CP1 XPB CP1	57	13	30	16	8	DF P XDF P + AG	17,7	22	21	6,6	7,4	M10	BB P XBB P	40	13	22	5
PS CP2 XPS CP2	10,5	PB CP2 XPB CP2	70	26	30	16	8		17,7	22	21	6,6	7,4	M10					
PS CP3 XPS CP3	10,5	PB CP3 XPB CP3	84	40	30	16	8		17,7	22	21	6,6	7,4	M10					
PS CP4 XPS CP4	13,0	PB CP4 XPB CP4	114	66	45	18	10		18,8	26	23	7	8	M12					
PS CP5 XPS CP5	17,0	PB CP5 XPB CP5	151	95	60	22	10	---						---					
PS CP6 XPS CP6	21,0	PB CP6 XPB CP6	204	132	80	28	15	---						---					
PS CP7 XPS CP7	25,0	PB CP7 XPB CP7	250	166	90	31	15	---						---					
PS CP8 XPS CP8	31,0	PB CP8 XPB CP8	310	210	120	47	25	---						---					
PS CP9 XPS CP9	31,0	---						---						---					
PS CP10 XPS CP10	31,0	---						---						---					

Mounting Example of complete clamp CP3 in Polypropylene for pipe with outside diameter of 40mm with single weld plate and upper plate.



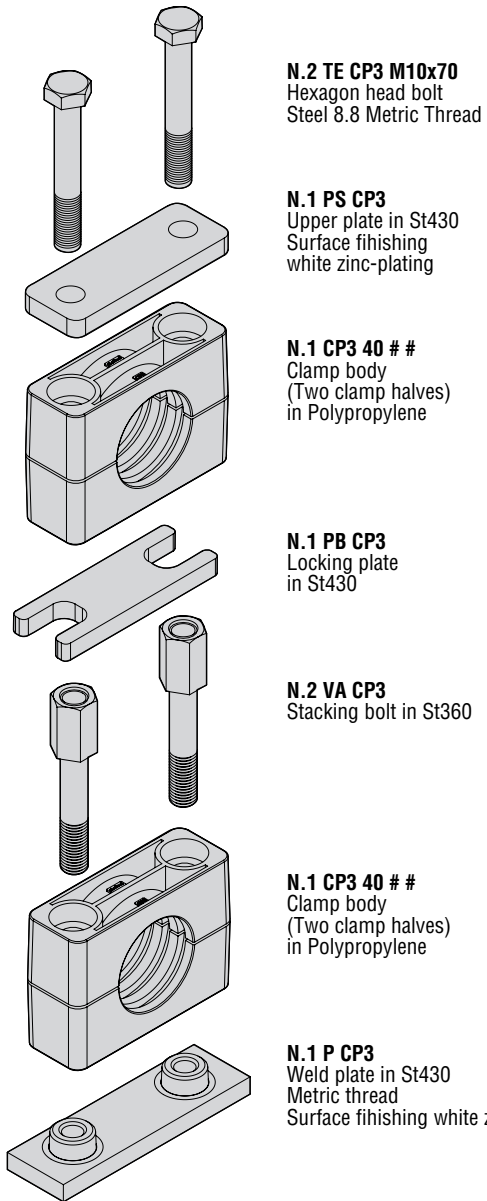
N.2 TE CP3 M10x70
Hexagon head bolt
Steel 8.8 Metric Thread

N.1 PS CP3
Upper plate in St430
Surface finishing
white zinc-plating

N.1 CP3 40 # #
Clamp body
(Two clamp halves)
in Polypropylene

N.1 P CP3
Weld plate in St430
Metric thread
Surface finishing
white zinc-plating

Mounting Example of complete stacked clamp CP3 in Polypropylene for pipe with outside diameter of 40mm with single weld plate and upper plate



N.2 TE CP3 M10x70
Hexagon head bolt
Steel 8.8 Metric Thread

N.1 PS CP3
Upper plate in St430
Surface finishing
white zinc-plating

N.1 CP3 40 # #
Clamp body
(Two clamp halves)
in Polypropylene

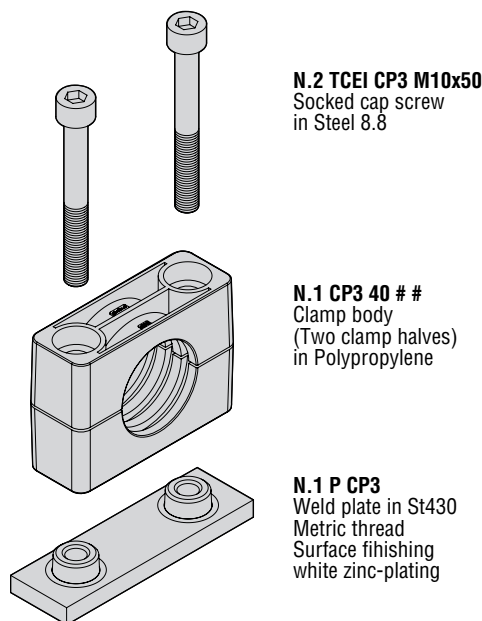
N.1 PB CP3
Locking plate
in St430

N.2 VA CP3
Stacking bolt in St360

N.1 CP3 40 # #
Clamp body
(Two clamp halves)
in Polypropylene

N.1 P CP3
Weld plate in St430
Metric thread
Surface finishing white zinc plating

Mounting Example of complete clamp CP3 in Polypropylene for pipe with outside diameter of 40 mm with single weld plate.



N.2 TCEI CP3 M10x50
Socked cap screw
in Steel 8.8

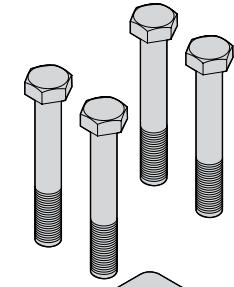
N.1 CP3 40 # #
Clamp body
(Two clamp halves)
in Polypropylene

N.1 P CP3
Weld plate in St430
Metric thread
Surface finishing
white zinc-plating

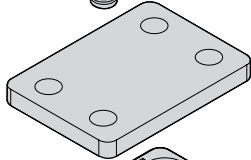
PIPE CLAMPS - HEAVY SERIES

Mounting Example

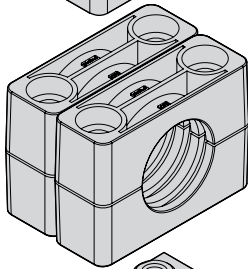
Mounting Example of complete clamp CP3 in Polypropylene for pipe with outside diameter of 40mm with double weld plate and double upper plate.



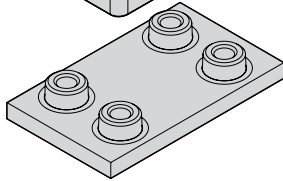
N.4 TE CP3 M10x70
Hexagon head bolt
Steel 8.8 Metric Thread



N.1 CD PS CP3
Upper plate in St430
Surface finishing white zinc-plating

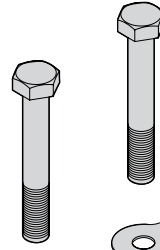


N.2 CP3 40 # #
Clamp body
(Two clamp halves)
in Polypropylene



N.1 CD P CP3
Double Weld plate in St430
Metric thread
Surface finishing white zinc plating

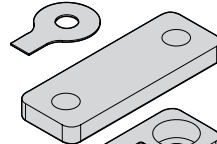
Mounting Example of complete clamp CP3 in Aluminium for pipe with outside diameter of 40mm, mounting rail nut.



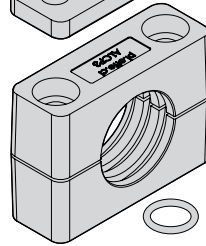
N.2 XTE CP3 M10x70
Hexagon head bolt
Steel A4 Metric Thread



N.2 XRS CP3 10.5
Safety washer Steel A4 360



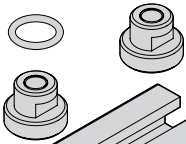
N.1 XPS CP3
Upper plate
in steel Aisi 316L



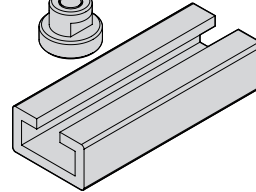
N.1 CP3 40 # #
Clamp body
(Two clamp halves)
in Aluminium



N.2 AGP
Rubber ring



N.2 XDFP M10
Rail nut in steel aisi 316L
Metric thread



2 Meters XBBP 40x22
Rail in steel Aisi 316L

NOTES

: Material clamp body

PP: Polypropylene

PA: Polyamide

A: Aluminium

GM: Rubber

Material ring AG: Rubber NBR

MECHANICAL CHARACTERISTICS

Hardness shore: 70 A (ASTM D 2240)

Density: g/cm³ 1.25 (ASTM D 792)

Tensile strength: MPa 14.3 (ASTM D 412 C)

Elongation at break: % 390

Tear strength: N/mm 49 (ASTM D 624 B)

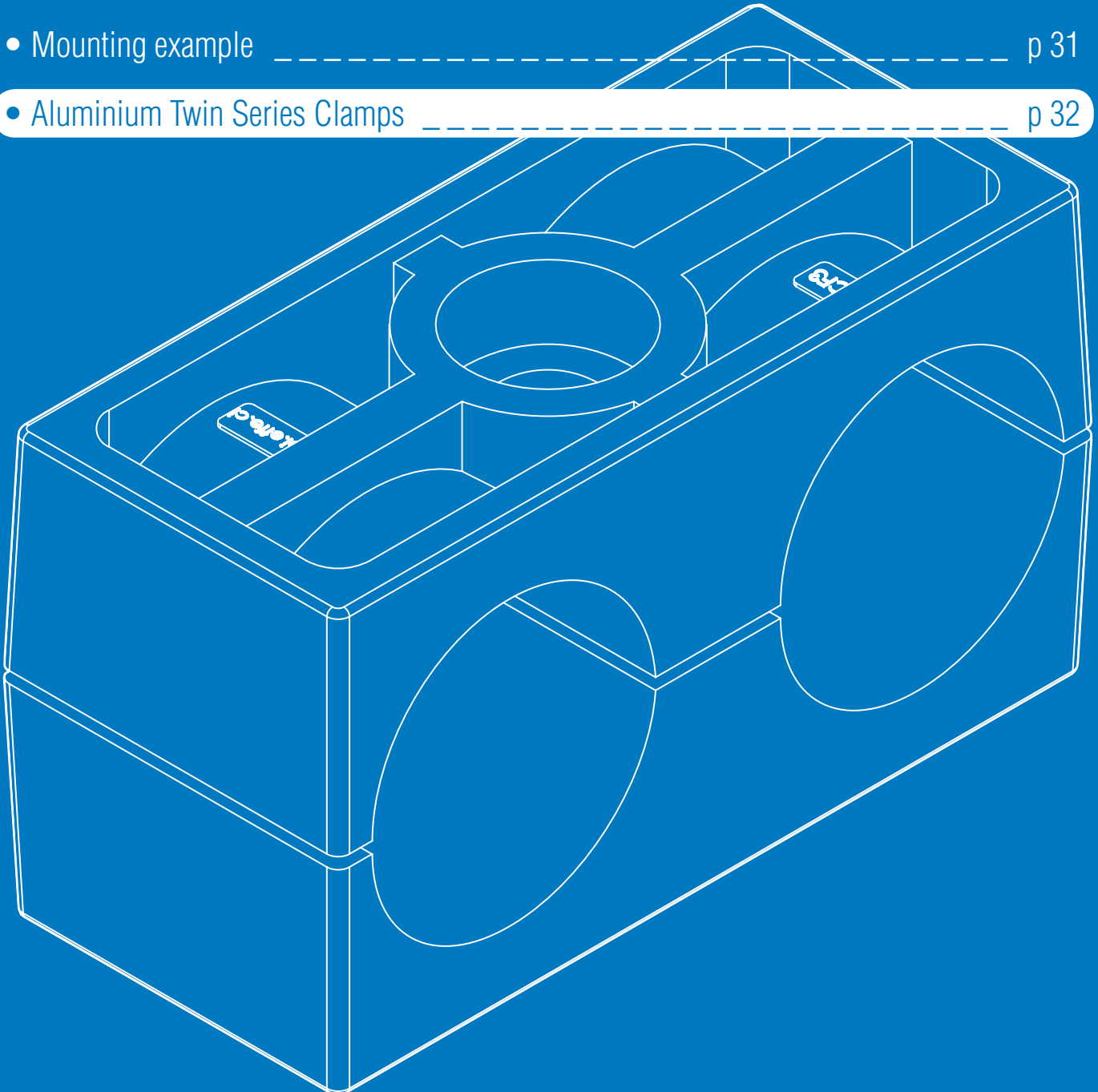
THERMAL CHARACTERISTICS

Operating temperature range: -30°C to +120°C

TWIN Series Clamps

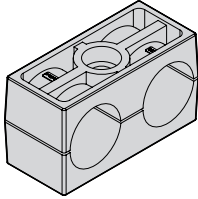
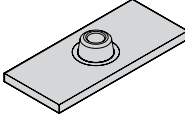
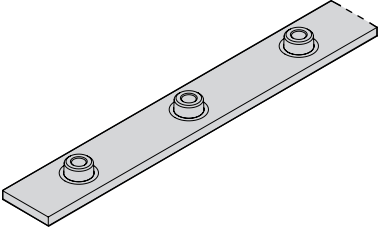
DIN 3015, Part 3

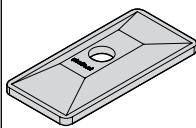
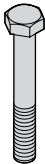

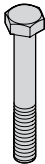
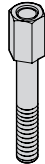
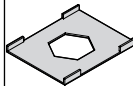
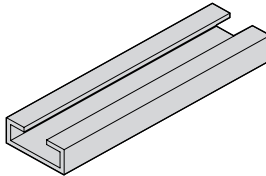
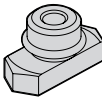
- Order codes p 26
- Dimensions p 28
- Mounting example p 31
- Aluminium Twin Series Clamps p 32



PIPE CLAMPS - TWIN SERIES

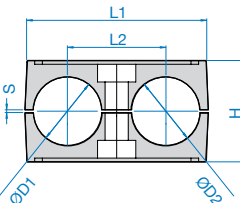
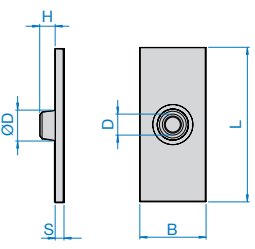
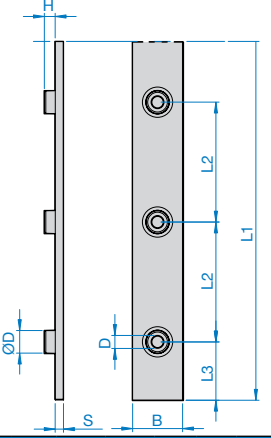
Order Codes

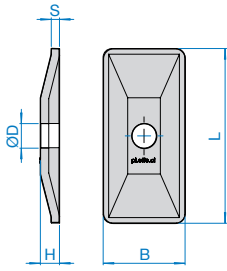
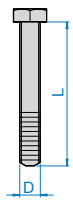
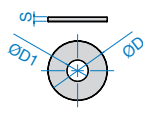
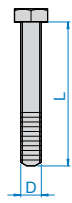
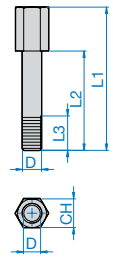
PIPE CLAMPS MATERIAL				Clamp body (two clamp halves)			Single weld plate P CF		Multiple weld plate PM CF		
Code PP : Polypropylene material Colour Blue NB: other colours on demand.				 <p style="text-align: center;">TYPE 1-5</p>			 <p style="text-align: center;">TYPE 1-5</p>		 <p style="text-align: center;">TYPE 1-5</p>		
Code PA : Polyamide material Colour Black .											
Code GM : Rubber Elastomer material Colour Black .											
Internal surface clamp body Knurled .											
NB Different diameters are available on demand.											
For Dimensions see pages 28-30. For materials characteristics see pages 31, 78 and 80.											
Components description				## - ##, ## - ##			P CF# XP CF#	#	PM CF# XPM CF#	#	
Code PI.EFFE.CI. Clamp body	O.D. of Pipe/Tube/Hose			Code PI.EFFE.CI.	Outside diameter in mm	Material of clamp body	Single weld plate S1360 and AISI 316L Type	Type of thread	Multiple weld plate S1360 and AISI 316L Type	Type of thread	Number of clamps
	in mm	Nominal bore pipe in inch	in inch								
CF1	6			CF1	6	##	P CF1 XP CF1	M6	PM CF1 XPM CF1	M6	5
	6,4		1/4"	CF1	6,4	##					
	8		5/16"	CF1	8	##					
	9,5		3/8"	CF1	9,5	##					
	10	1/8"		CF1	10	##					
	12			CF1	12	##					
	12,7		1/2"	CF1	12,7	##					
CF2	12,7		1/2"	CF2	12,7	##	P CF2 XP CF2	M8	PM CF2 XPM CF2	M8	5
	13,5	1/4"		CF2	13,5	##					
	14			CF2	14	##					
	15			CF2	15	##					
	16		5/8"	CF2	16	##					
	17,2	3/8"		CF2	17,2	##					
	18			CF2	18	##					
CF3	19		3/4"	CF3	19	##	P CF3 XP CF3	M8	PM CF3 XPM CF3	M8	5
	20			CF3	20	##					
	21,3	1/2"		CF3	21,3	##					
	22		7/8"	CF3	22	##					
	23			CF3	23	##					
	24			CF3	24	##					
	25			CF3	25	##					
	25,4		1"	CF3	25,4	##					
CF4	26			CF4	26	##	P CF4 XP CF4	M8	PM CF4 XPM CF4	M8	5
	26,9	3/4"		CF4	26,9	##					
	28			CF4	28	##					
	30			CF4	30	##					
CF5	32		1.1/4"	CF5	32	##	P CF5 XP CF5	M8	PM CF5 XPM CF5	M8	5
	33,7	1"		CF5	33,7	##					
	35			CF5	35	##					
	38		1.1/2"	CF5	38	##					
	40			CF5	40	##					
	42,4	1.1/4"		CF5	42,4	##					

Upper plate PS CF	Hexagon head bolt TE	Flat washer RP	Hexagon head bolt TER	High hexagon head bolt VA	Locking plate PB CF	Mounting rail BB	Rail nut with rubber ring DF+AG			
 TYPE 1-5	EN ISO 4014 / 4017 for use with upper plate PS CF 	For use with hexagon head bolt TER 	EN ISO 4014 / 4017 for use with flat washer RP 	For overlapped clamps 	For overlapped clamps 					
PS CF# XPS CF#	TE CF# XTE CF#	#	RP	TE CF# XTE CF#	#	VA CF# XVA CF#	#	PB CF # XPB CF #	BB XBB	DF - # XDF - #
Single weld plate S1360 and AISI 316L Type	Hexagon head bolt Steel 8.8 and A4 Type	Type of thread	Flat washer S1360 and A4	Hexagon head bolt Steel 8.8 and A4 Type	Type of thread	High hexagon head bolt S1360 and AISI316L Type	Type of thread	Locking plate S1360 and AISI 316L Type	Mounting rail Steel DX51D and AISI 316L	Rail nut Steel C20 and AISI316L Type of thread
PS CF1 XPS CF1	TE CF1	M6x35	RP 6 XRP 6 for clamp CF1	TE CF1 XTE CF1	M6x30	VA CF1 XVA CF1	M6	PB CF1 XPB CF1		DF CF1 XDF CF1
PS CF2 XPS CF2	TE CF2	M8x35		TE CF2 XTE CF2	M8x30	VA CF2 XVA CF2	M8			
PS CF3 XPS CF3	TE CF3	M8x45	RP 8 XRP 8 for clamps CF2-CF5	TE CF3 XTE CF3	M8x40	VA CF3 XVA CF3	M8	PB XPB for clamps CF2-CF5	BB XBB Available heights 11, 14 and 30mm Available lengths 2m	DF XDF for clamps CF2-CF5
PS CF4 XPS CF4	TE CF4	M8x50		TE CF4 XTE CF4	M8x45	VA CF4 XVA CF4	M8			
PS CF5 XPS CF5	TE CF5	M8x60		TE CF5 XTE CF5	M8x55	VA CF5 XVA CF5	M8			

PIPE CLAMPS - TWIN SERIES

Dimensions

MATERIALS AND TYPE OF THREAD COMPONENTS AND ACCESSORIES				Clamp body (two clamp halves)					Single weld plate P CF						Multiple weld plate PM CF											
All components and accessories are available in: Carbon steel St360 with finishing surface in white zinc-coated Fe Zn c8 II. Untreated area available on request. Stainless steel inox 316L : (X2 CrNiMo17-12-2) 1.4404 marked with X identification code. NB The BB track is treated with zinc-plating SENDZIMIR . All the components are produced with metric thread, on request are also available with UNC thread. Metric thread: code M . UNC thread: code UNC . For material characteristics see pages 31, 78 and 80.				 <p style="text-align: center;">TYPE 1-5</p>					 <p style="text-align: center;">TYPE 1-5</p>						 <p style="text-align: center;">TYPE 1-5</p>											
																							Materials description			
				Code P.I.EFFE.CI. Clamp body	O.D. of Pipe/Tube/Hose ØD1 / ØD2			L1	L2	H	S	Width	Code P.I.EFFE.CI.	L	B	S	H	ØD	D	Code P.I.EFFE.CI.	L1	L2	L3	B	S	H
in mm	nominal bore pipe in inch	in inch																								
CF1	6			36	20	27	0,6	30	P CF1 XP CF1	37	30	3	6,5	12	M6	PM CF1 XPM CF1	196	40	18	30	3	6,5	12	M6		
	6,4		1/4"																							
	8		5/16"																							
	9,5		3/8"																							
	10	1/8"																								
	12,7		1/2"																							
CF2	12,7		1/2"	54	29	27	0,8	30	P CF2 XP CF2	55	30	5	6	14	M8	PM CF2 XPM CF2	288	58	28	30	5	6	14	M8		
	13,5	1/4"																								
	14																									
	15		5/8"																							
	16		3/8"																							
	17,2	3/8"																								
CF3	18			67	36	37	1	30	P CF3 XP CF3	70	30	5	6	14	M8	PM CF3 XPM CF3	358	72	35	30	5	6	14	M8		
	19		3/4"																							
	20																									
	21,3	1/2"																								
	22		7/8"																							
	23																									
CF4	24			81	45	42	1	30	P CF4 XP CF4	85	30	5	6	14	M8	PM CF4 XPM CF4	444	90	42	30	5	6	14	M8		
	25,4		1"																							
	26																									
	26,9	3/4"																								
CF5	28			106	56	53	1,2	30	P CF5 XP CF5	110	30	5	6	14	M8	PM CF5 XPM CF5	558	112	55	30	5	6	14	M8		
	30																									
	32		1.1/4"																							
	33,7	1"																								
	35																									
	38		1.1/2"																							
42,4	1.1/4"																									

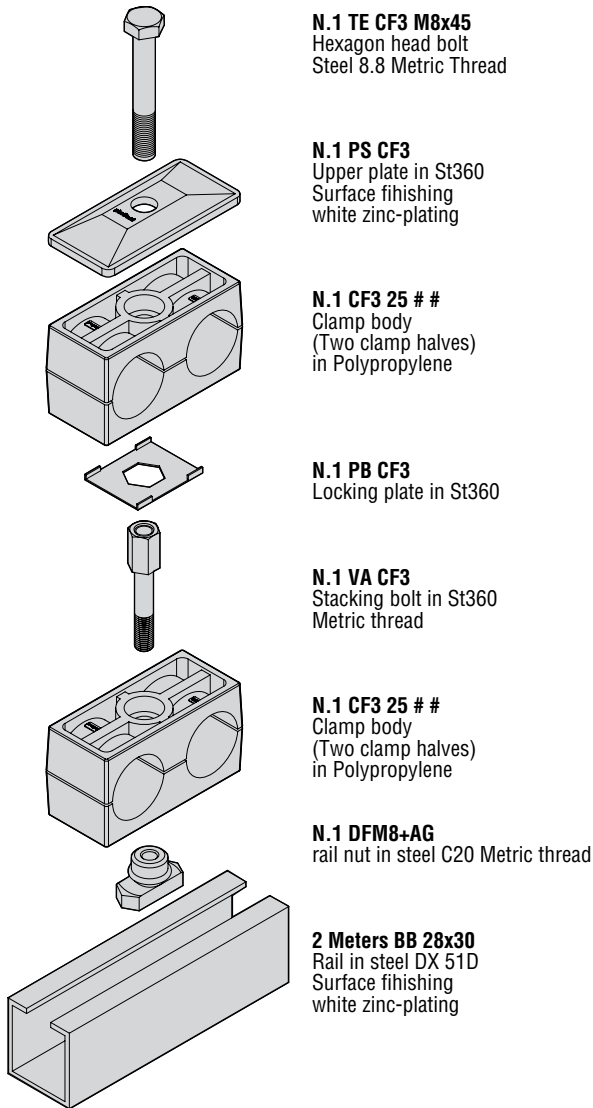
Upper plate PS CF						Hexagon head bolt TE		Flat washer RP			Hexagon head bolt TER		High hexagon head bolt VA						
 <p>TYPE 1-5</p>						<p>EN ISO 4014 / 4017 for use with upper plate PS CF</p> 		<p>EN ISO 7089 for use with hexagon head bolt TER</p> 			<p>EN ISO 4014 / 4017 for use with flat washer RP</p> 		<p>For overlapped clamps</p> 						
																		Carbon steel St360 code PS CF1 Stainless steel AISI 316L code XPS CF1	
Code PI.EFFE.CI.	L	B	H	S	ØD	Code PI.EFFE.CI.	DxL	Code PI.EFFE.CI.	ØD	ØD1	S	Code PI.EFFE.CI.	DxL	Code PI.EFFE.CI.	D	L1	L2	L3	CH
PS CF1 XPS CF1	34,5	30	7	3	7	TE CF1 XTE CF1	M6x35	RP CF1 XRP CF1	22	6,5	2	TER CF1 XTER CF1	M6x30	VA CF1 XVA CF1	M6	34	20	14	11
PS CF2 XPS CF2	52	30	7	3	9	TE CF2 XTE CF2	M8x35	RP CF2-5 XRP CF2-5	22	8,5	2	TER CF2 XTER CF2	M8x30	VA CF2 XVA CF2	M8	33	20	15	12
PS CF3 XPS CF3	64	30	7	3	9	TE CF3 XTE CF3	M8x45					TER CF3 XTER CF3	M8x40	VA CF3 XVA CF3	M8	44	29	15	12
PS CF4 XPS CF4	79	30	7	3	9	TE CF4 XTE CF4	M8x50					TER CF4 XTER CF4	M8x45	VA CF4 XVA CF4	M8	49	34	15	12
PS CF5 XPS CF5	102,5	30	7	3	9	TE CF5 XTE CF5	M8x60					TER CF5 XTER CF5	M8x55	VA CF5 XVA CF5	M8	61	46	15	12

PIPE CLAMPS - TWIN SERIES

Dimensions

Locking plate PB					Mounting rail BB				Rail nut with rubber ring DF+AG							
<p><i>For overlapped clamps</i></p>					<p>BB 11</p> <p>BB 14</p> <p>BB30</p>											
																Carbon steel St360 code PB Stainless steel AISI 316L code XPB
Code P.I.EFFE.CI.	L	B1	B2	S	Code P.I.EFFE.CI.	B1	B2	S	Code P.I.EFFE.CI.	L	B	H1	H2	ØD	D	AG
PB CF1 XPB CF1	27	22	11,2	0,5					DF CF1 XDF CF1	25,5	10,4	14,5	5,5	11,8	M6	
PB CF XPB CF to clamps CF2-CF5	27	22	12,2	0,5	BB XBB	28	11	2	DF CF XDF CF to clamps CF2-CF5	25,5	10,4	13,5	5	13,8	M8	10x2

Mounting Example of complete stacked clamp CF3 in Polypropylene for pipe with outside diameter of 25mm, mounting rail nut.



N.1 TE CF3 M8x45
Hexagon head bolt
Steel 8.8 Metric Thread

N.1 PS CF3
Upper plate in St360
Surface finishing
white zinc-plating

N.1 CF3 25 # #
Clamp body
(Two clamp halves)
in Polypropylene

N.1 PB CF3
Locking plate in St360

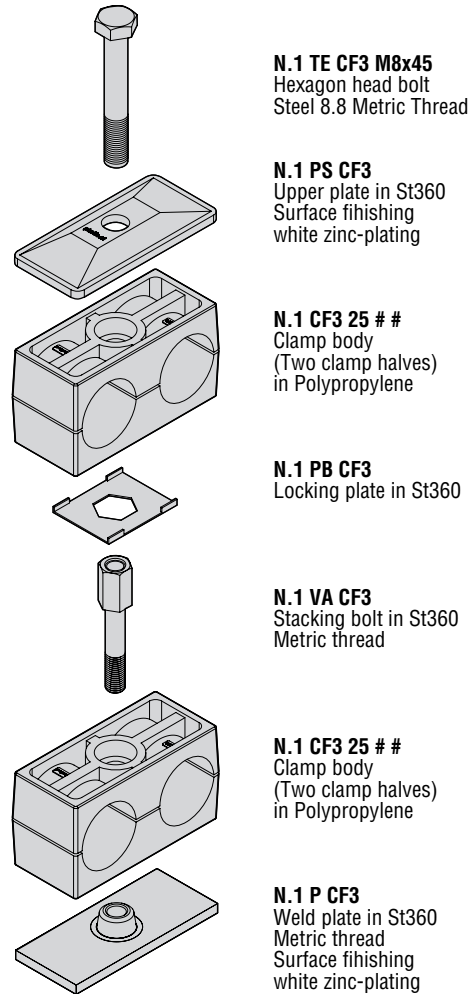
N.1 VA CF3
Stacking bolt in St360
Metric thread

N.1 CF3 25 # #
Clamp body
(Two clamp halves)
in Polypropylene

N.1 DFM8+AG
rail nut in steel C20 Metric thread

2 Meters BB 28x30
Rail in steel DX 51D
Surface finishing
white zinc-plating

Mounting Example of complete stacked clamp CF3 in Polypropylene for pipe with outside diameter of 25mm, with single weld plate and upper plate.



N.1 TE CF3 M8x45
Hexagon head bolt
Steel 8.8 Metric Thread

N.1 PS CF3
Upper plate in St360
Surface finishing
white zinc-plating

N.1 CF3 25 # #
Clamp body
(Two clamp halves)
in Polypropylene

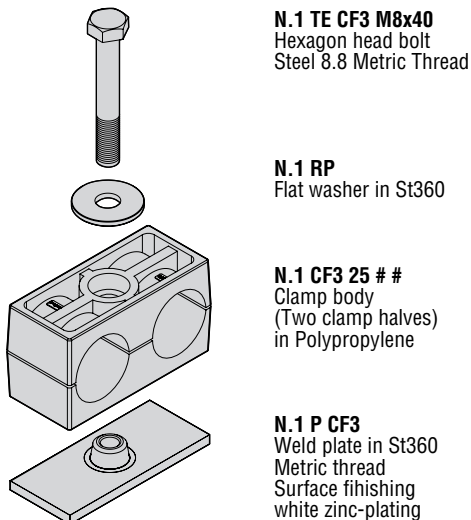
N.1 PB CF3
Locking plate in St360

N.1 VA CF3
Stacking bolt in St360
Metric thread

N.1 CF3 25 # #
Clamp body
(Two clamp halves)
in Polypropylene

N.1 P CF3
Weld plate in St360
Metric thread
Surface finishing
white zinc-plating

Mounting Example of complete clamp CF3 in Polypropylene for pipe with outside diameter of 25mm with single weld plate and flat washer.



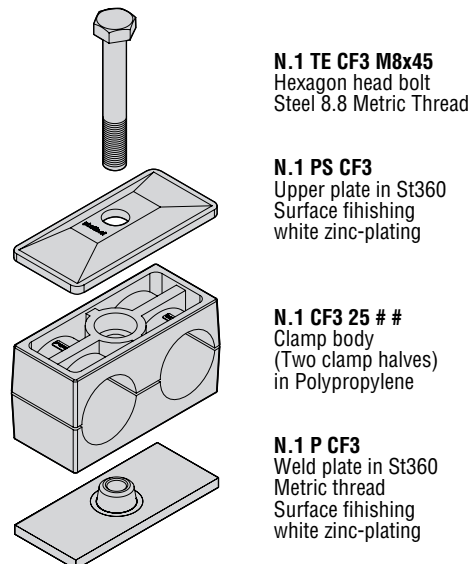
N.1 TE CF3 M8x40
Hexagon head bolt
Steel 8.8 Metric Thread

N.1 RP
Flat washer in St360

N.1 CF3 25 # #
Clamp body
(Two clamp halves)
in Polypropylene

N.1 P CF3
Weld plate in St360
Metric thread
Surface finishing
white zinc-plating

Mounting Example of complete clamp CF3 in Polypropylene for pipe with outside diameter of 25mm with single weld plate and upper plate.



N.1 TE CF3 M8x45
Hexagon head bolt
Steel 8.8 Metric Thread

N.1 PS CF3
Upper plate in St360
Surface finishing
white zinc-plating

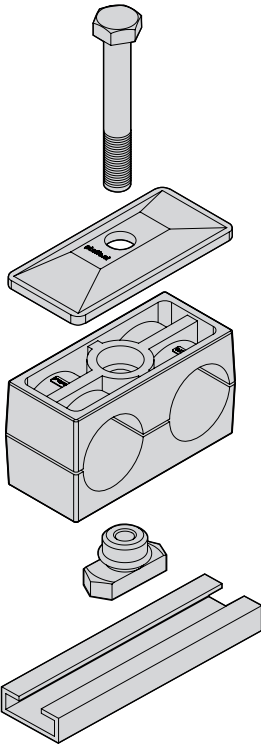
N.1 CF3 25 # #
Clamp body
(Two clamp halves)
in Polypropylene

N.1 P CF3
Weld plate in St360
Metric thread
Surface finishing
white zinc-plating

PIPE CLAMPS - TWIN SERIES

Mounting Example

Mounting Example of complete stacked clamp CF3 in Polyamide for pipe with outside diameter of 25mm, mounting rail nut.



N.1 TE CF3 M8x45
Hexagon head bolt
Steel 8.8 Metric Thread

N.1 PS CF3
Upper plate in St360
Surface finishing
white zinc-plating

N.1 CF3 25 # #
Clamp body
(Two clamp halves)
in Polyamide

N.1 DFM8+AG
Rail nut in steel C20 Metric thread

2 Meters BB 28x11
Rail in steel DX 51D
Surface finishing
white zinc-plating

NOTES

: Material clamp body

PP: Polypropylene

PA: Polyamide

A: Aluminium

GM: Rubber

Material ring AG: Rubber NBR

MECHANICAL CHARACTERISTICS

Hardness shore: 70 A (ASTM D 2240)

Density: g/cm³ 1.25 (ASTM D 792)

Tensile strength: MPa 14.3 (ASTM D 412 C)

Elongation at break: % 390

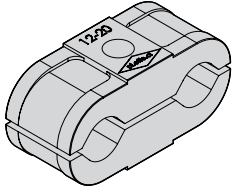
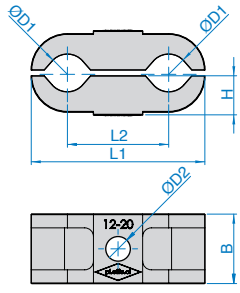
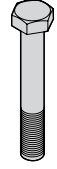
Tear strength: N/mm 49 (ASTM D 624 B)

THERMAL CHARACTERISTICS

Operating temperature range: -30°C to +120°C

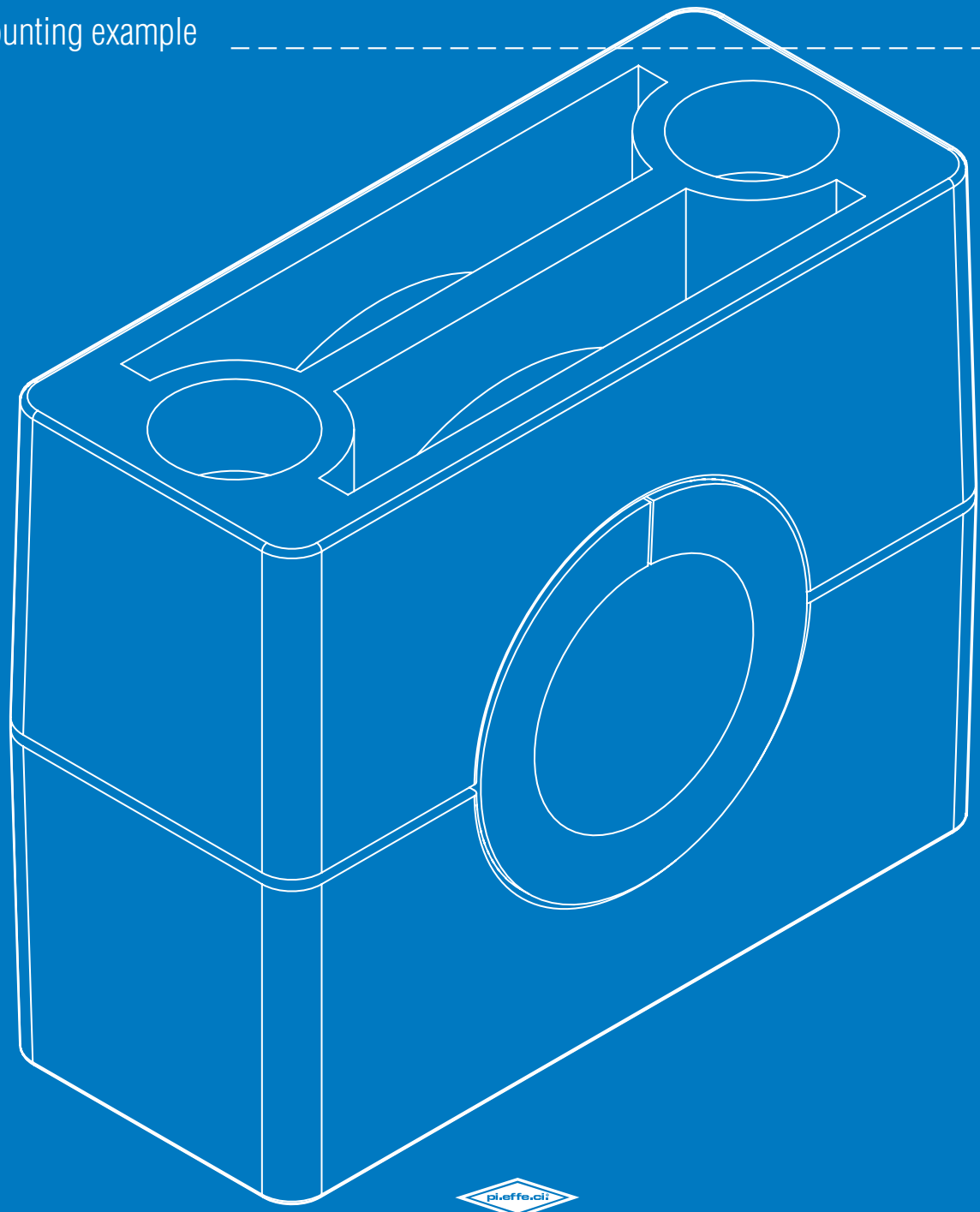
PIPE CLAMPS - ALUMINIUM TWIN SERIES

Order Codes and Dimensions

PIPE CLAMP MATERIAL		Clamp body (two clamp halves)					Hexagon head bolt TE			
Code AL: Aluminium material Colour Aluminium.		 					EN ISO 4014 / 4017			
Internal surface clamp body smooth.							EN ISO 4014 / 4017			
For material characteristics, see page 78.										
Component description		Aluminium twin series clamp, for the fixing of hard and flexible hoses, from 12 to 20mm.		Clamp's design allow them to be used in different applications, for example mobile hydraulic applications.			Steel 8.8 code TE Stainless st. Aisi 316L code XTE			
Code PI.EFFE.CI. Clamp body	Outside diameter pipe in mm	Order example		L1	L2	B	ØD1	ØD1	H	Mounting hexagon head bolt M8
AL CF	da 12 to 20	AL CF 12-20		60	35	24	from 12 to 20	8,5	13,5	from M8x35 to M8x45

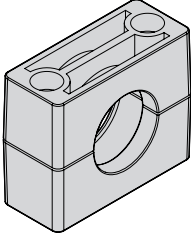
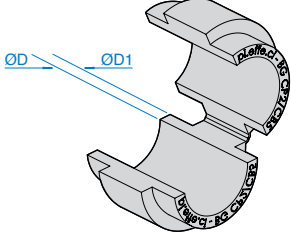
Clamps with RUBBER BUSHING

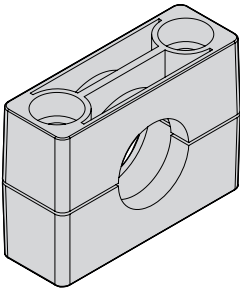
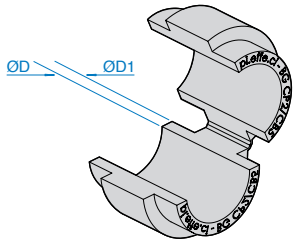
- Order Codes and dimensions **Standard series** DIN 3015, Part 1 _____ p 34
- Order Codes and dimensions **Heavy series** DIN 3015, Part 2 _____ p 35-36
- Mounting example _____ p 37



STANDARD SERIES CLAMPS WITH RUBBER BUSHING

Order Codes

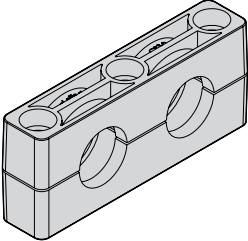
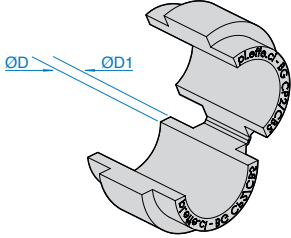
PIPE CLAMPS AND RUBBER BUSHING MATERIAL				Clamp body (two clamp halves)			Rubber bushing BG		
Code PP : Polypropylene material Colour Blue NB: other colours on demand.				 <p style="text-align: center;">TYPE 5-7</p>			 <p style="text-align: center;">TYPE 5-7</p>		
Code PA : Polyamide material Colour Black .									
Clamp body profiled inside for mounting rubber bushing. NB: Rubber bushing only type 5-7.									
Rubber bushing BG Material: Rubber Elastomer Colour: Black									
For materials characteristics see pages 38, 78 and 80.									
Components description				## - ##, ## - ##			BG #	Rubber material code BG	
Code PI.EFFE.CI. clamp body	O.D. of Pipe/Tube/Hose ØD			Code PI.EFFE.CI. Type	Outside diameter in mm	Material of clamp body	Code Rubber bushing Type	ØD1	Width
	in mm	nominal bore pipe in inch	in inch						
CB5	6			CB5	6	##	BG CB5	25	30
	8		5/16"	CB5	8	##			
	10	1/8"		CB5	10	##			
	12			CB5	12	##			
	12,7		1/2"	CB5	12,7	##			
	14			CB5	14	##			
	15			CB5	15	##			
	16		5/8"	CB5	16	##			
	17,2	3/8"		CB5	17,2	##			
	18			CB5	18	##			
19		3/4"	CB5	19	##				
CB7	20			CB7	20	##	BG CB7	38	30
	21,3	1/2"		CB7	21,3	##			
	22		7/8"	CB7	22	##			
	25			CB7	25	##			
	26,9	3/4"		CB7	26,9	##			
	28			CB7	28	##			
	30			CB7	30	##			
	32		1.1/4"	CB7	32	##			

PIPE CLAMPS AND RUBBER BUSHING MATERIAL	Clamp body (two clamp halves)	Rubber bushing BG
Code PP : Polypropylene material Colour Blue NB: other colours on demand.	 <p>TYPE 2-6</p>	 <p>TYPE 2-6</p>
Code PA : Polyamide material Colour Black .		
Clamp body profiled inside for mounting rubber bushing. NB: Rubber bushing only type 4-6-7.		
Rubber bushing BG Material: Rubber Elastomer Colour: Black		
For materials characteristics see pages 38, 78 and 80.		

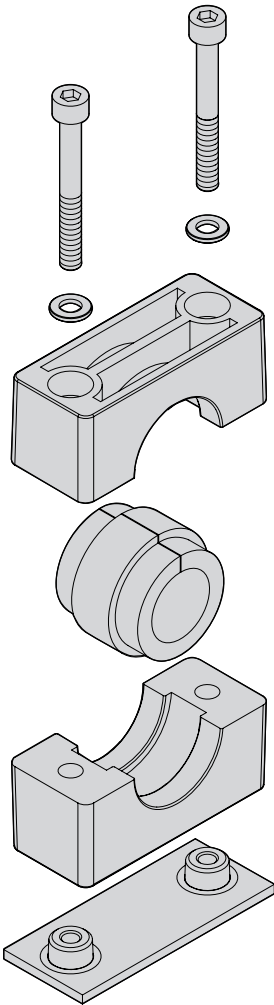
Components description				## - ##, ## - ##			BG #	Rubber material code BG	
Code PI.EFFE.CI. clamp body	O.D. of Pipe/Tube/Hose ØD			Code PI.EFFE.CI. Type	Outside diameter in mm	Material of clamp body	Code Rubber bushing Type	ØD1	Width
	in mm	nominal bore pipe in inch	in inch						
CP2 B	6			CP2 B	6	##	BG CP2	25	30
	8		5/16"	CP2 B	8	##			
	10	1/8"		CP2 B	10	##			
	12			CP2 B	12	##			
	12,7		1/2"	CP2 B	12,7	##			
	14			CP2 B	14	##			
	15			CP2 B	15	##			
	16		5/8"	CP2 B	16	##			
	17,2	3/8"		CP2 B	17,2	##			
18			CP2 B	18	##				
19		3/4"	CP2 B	19	##	BG CP3	38	30	
20			CP3 B	20	##				
21,3	1/2"		CP3 B	21,3	##				
22			CP3 B	22	##				
25			CP3 B	25	##				
26,9	3/4"		CP3 B	26,9	##				
28			CP3 B	28	##				
30			CP3 B	30	##				
32		1.1/4"	CP3 B	32	##	BG CP4	64	45	
28			CP4 B	28	##				
30			CP4 B	30	##				
32		1.1/4"	CP4 B	32	##				
33,7	1"		CP4 B	33,7	##				
35			CP4 B	35	##				
38,7		1.1/2"	CP4 B	38,7	##				
40			CP4 B	40	##				
42,4	1.1/4"		CP4 B	42,4	##				
45,5			CP4 B	45,5	##				
48,3	1.1/2"		CP4 B	48,3	##				
51		2"	CP4 B	51	##				
53,4			CP4 B	53,4	##				
56,4			CP4 B	56,4	##	BG CP5	88	60	
55			CP5 B	55	##				
57,2		2.1/4"	CP5 B	57,2	##				
58			CP5 B	58	##				
60,3	2"		CP5 B	60,3	##				
63,5		2.1/2"	CP5 B	63,5	##				
65			CP5 B	65	##				
70		2.3/4"	CP5 B	70	##				
72			CP5 B	72	##				
73			CP5 B	73	##				
75			CP5 B	75	##				
76,1	2.1/2"	3"	CP5 B	76,1	##	BG CP6	114	80	
75			CP6 B	75	##				
80			CP6 B	80	##				
85			CP6 B	85	##				
90	3"		CP6 B	90	##				
100			CP6 B	100	##				
102	3.1/2"		CP6 B	102	##				
103			CP6 B	103	##				

HEAVY SERIES CLAMPS WITH RUBBER BUSHING

Order Codes and Dimensions

PIPE CLAMPS AND RUBBER BUSHING MATERIAL				Clamp body (two clamp halves)			Rubber bushing BG		
Code PP : Polipropilene Material Colour Blue . NB: Other colours on demand.				 <p style="text-align: center;">TYPE 2-3</p>			 <p style="text-align: center;">TYPE 2-3</p>		
Code PA : Polipropilene Materia Colour Black .									
Clamp body profiled inside for mounting of rubber bushing. NB: Rubber bushing only type 2-3.									
Rubber bushing BG : Material Rubber Elastomer . Colour Black .									
For material characteristics and mounting see pages. 78 e 80.									
Components description				## - ##, ## - ##			BG #	Rubber material Code BG	
Code PI.EFFE.CI. clamp body	O.D. of Pipe/Tube/Hose ØD			Code PI.EFFE.CI. Type	Outside diameter in mm	Material of clamp body	Code Rubber bushing Type	ØD1	Width
	in mm	nominal bore pipe in inch	in inch						
CP2D B	6			CP2D B	06	##	BG CP2	25	30
	8		5/16"	CP2D B	08	##			
	10	1/8"		CP2D B	10	##			
	12			CP2D B	12	##			
	12,7		1/2"	CP2D B	12,7	##			
	14			CP2D B	14	##			
	15			CP2D B	15	##			
	16		5/8"	CP2D B	16	##			
	17,2	3/8"		CP2D B	17,2	##			
	18			CP2D B	18	##			
19		3/4"	CP2D B	19	##				
CP3D B	20			CP3D B	20	##	BG CP3	38	30
	21,3	1/2"		CP3D B	21,3	##			
	22			CP3D B	22	##			
	25			CP3D B	25	##			
	26,9	3/4"		CP3D B	26,9	##			
	28			CP3D B	28	##			
	30			CP3D B	30	##			
	32		1.1/4"	CP3D B	32	##			

Mounting Example of complete clamp CB7 in Polypropylene with rubber bushing for pipe with outside diameter of 25mm, with single weld plate.



N.2 TCEI M6x60
Socked cap screw
Steel 8.8 Metric Thread

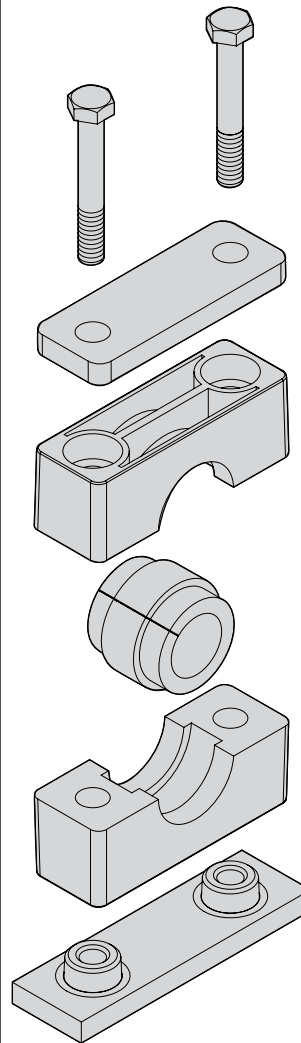
N.2 RP
Flat washer in St360

N.1 CB7 ##
Clamp body
(Two clamp halves)
in Polypropylene

N.1 BG CB7 25
Rubber bushing

N.1 P7
Weld plate in St360
Metric thread
Surface finishing
white zinc-plating

Mounting Example of complete clamp CP3-B in Polypropylene with rubber bushing for pipe with outside diameter of 25mm, with single weld plate and upper plate.



N.2 TE CP3 M10x70
Hexagon head bolt
Steel 8.8 Metric Thread

N.1 PS CP3
Upper plate in St430
Surface finishing
white zinc-plating

N.1 CP3 B ##
Clamp body
(Two clamp halves)
in Polypropylene

N.1 BG CP3 25
Rubber bushing

N.1 P CP3
Weld plate in St430
Metric thread
Surface finishing
white zinc-plating

For mounting clamps standard series with Rubber bushing (CB5 and CB7), use components on pages 4, 5 and 6.

For dimensions standard series, see pages 7, 8 and 9.

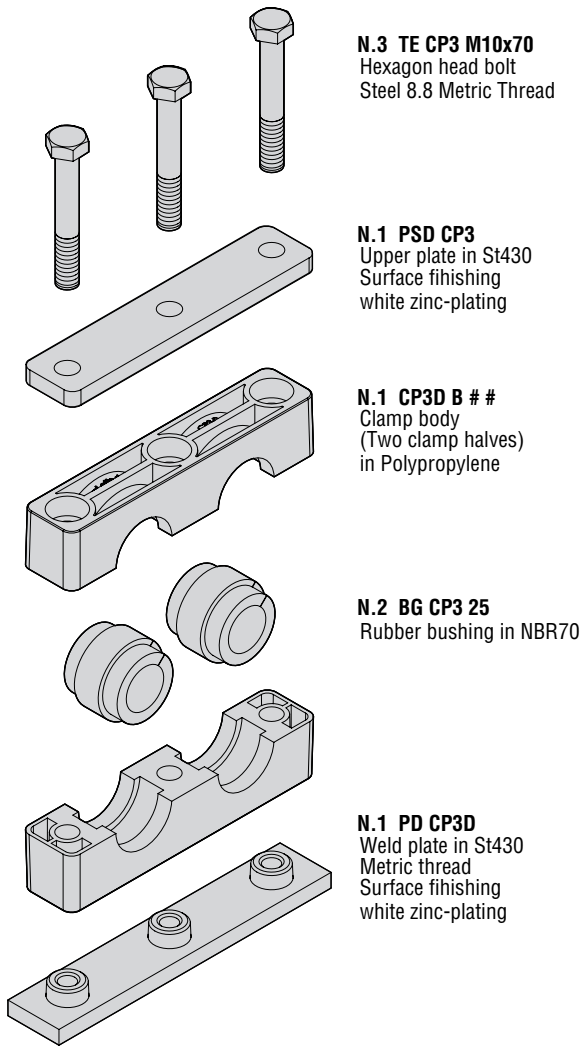
For mounting clamps heavy series with Rubber bushing (CP2B, CP3B, CP4B, CP5B and CP6B), use components on pages 14,15, 16 and 17.

For dimensions heavy series, see pages 19, 20, 21 and 22.

CLAMPS WITH RUBBER BUSHING

Mounting Example

Mounting Example of complete clamp CP3D-B in Polypropylene with rubber bushing for pipe with outside diameter of 25mm, with single weld plate and upper plate.



N.3 TE CP3 M10x70
Hexagon head bolt
Steel 8.8 Metric Thread

N.1 PSD CP3
Upper plate in St430
Surface finishing
white zinc-plating

N.1 CP3D B ##
Clamp body
(Two clamp halves)
in Polypropylene

N.2 BG CP3 25
Rubber bushing in NBR70

N.1 PD CP3D
Weld plate in St430
Metric thread
Surface finishing
white zinc-plating

NOTES

: Material clamp body

PP: Polypropylene

PA: Polyamide

Material bushing: Rubber Elastomer.

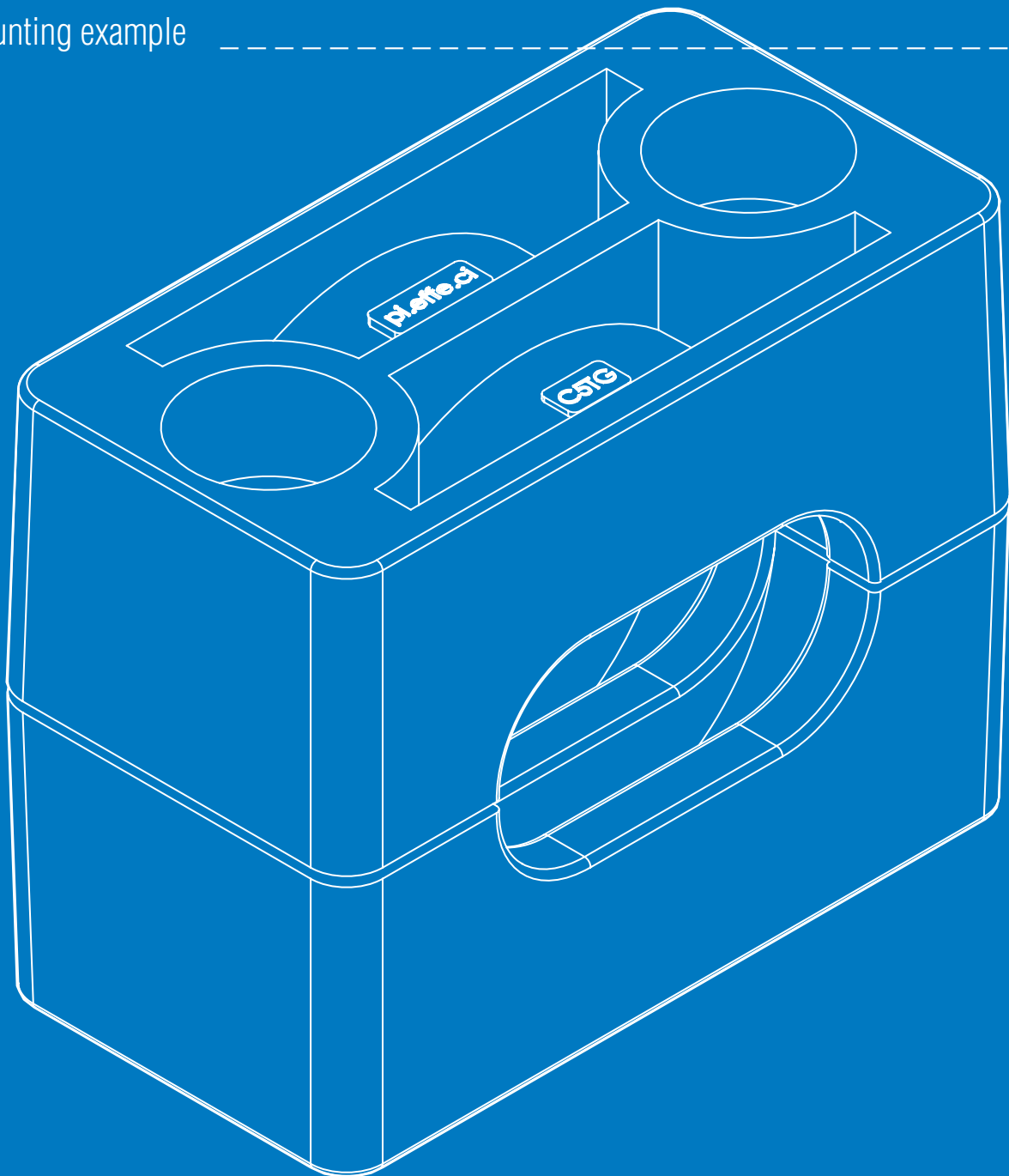
For mounting clamp heavy series with rubber bushing (CP2D B, CP3D B), use components on page 56

For tables and dimensions heavy series see pages 54 and 55.

STANDARD Series Clamps for TWIN PIPES

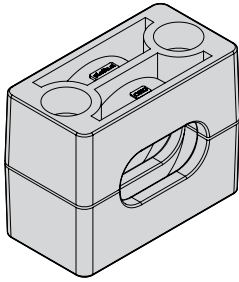
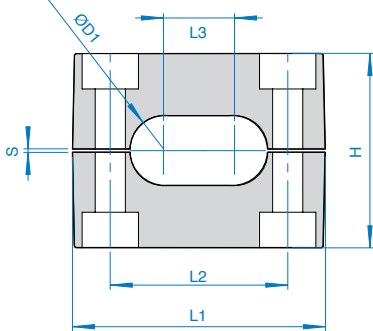
DIN 3015, Part 1

- Order codes p 40
- Dimensions p 40
- Mounting example p 40

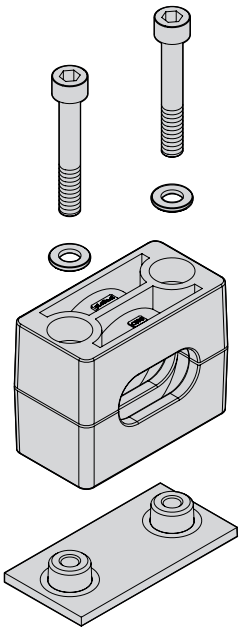


STANDARD SERIES CLAMPS FOR TWIN PIPES

Order Codes

MATERIALS AND TYPE OF THREAD COMPONENTS AND ACCESSORIES				Clamp body (two clamp halves)			Clamp body (two clamp halves)					
Code PP : Polypropylene material Colour Blue NB: other colours on demand.				 <p style="text-align: center;">TYPE 4-6</p>			 <p style="text-align: center;">TYPE 4-6</p>					
Code PA : Polyamide material Colour Black .												
Internal surface clamp body Knurled .												
The clamps are used with components and accessories of the standard series (see pages 4-6). For Dimensions standard series see pages 7-9.												
Components description				## - ##, ## - ##			Material PP-PA code C TG					
Code PI.EFFE.CI. clamp body	O.D. of Pipe/Tube/Hose ØD1			Code PI.EFFE.CI. Type	Outside diameter in mm	Material of clamp body	L1	L2	L3	H	S	Width
	in mm	nominal bore pipe in inch	in inch									
C4 TG	10-10			C4TG	10	##	50	33	10	36	0,8	30
	12-12			C4TG	12	##			12			
C5 TG	14-14			C5TG	14	##	57	40	14	42	1	30
	16-16			C5TG	16	##			16			
C6 TG	20-20			C6TG	20	##	71	52	20	58	1,4	30

Mounting Example of complete clamp C5-TG in Polypropylene for twin pipe with outside diameter of 14 mm, with single weld plate.



N.2 TCEI M6x35
Socked cap screw
Steel 8.8 Metric Thread

N.2 RP
Flat washer in St360

N.1 C5 TG 14 ##
Clamp body
(Two clamp halves)
in Polypropylene

N.1 P5
Weld plate in St360
Metric thread
Surface finishing
white zinc-plating

NOTES

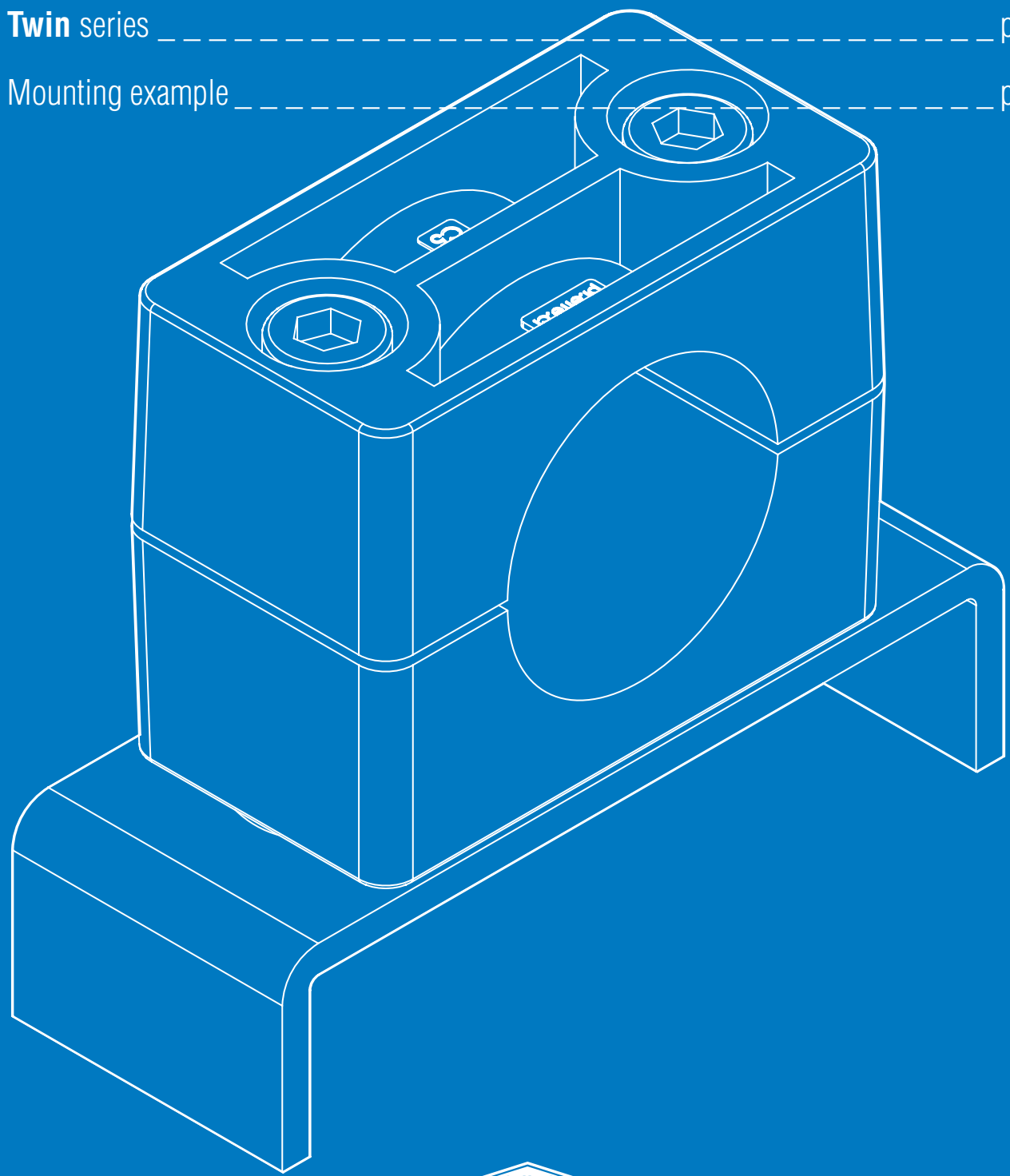
: material clamp body

PP: Polypropylene

PA: Polyamide

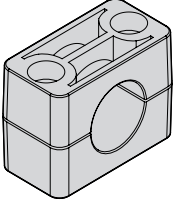
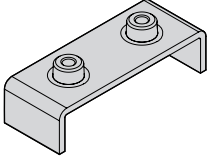
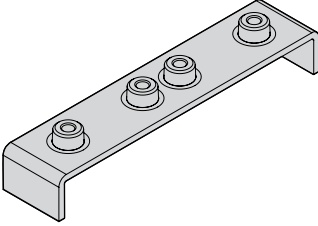
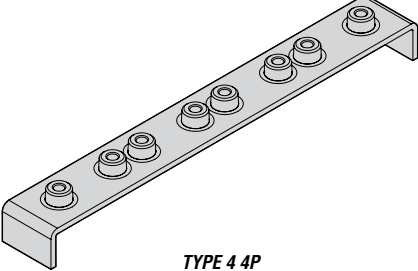
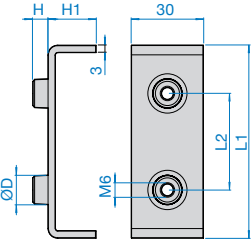
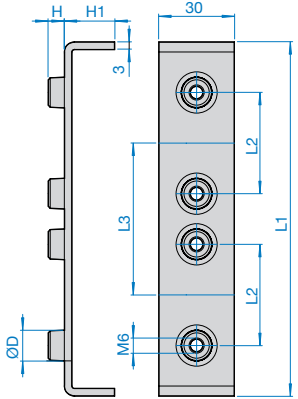
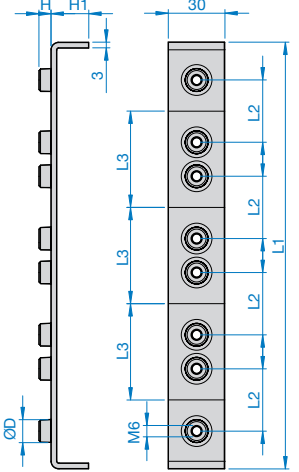
STANDARD and TWIN Series Clamps with SPACED PLATES

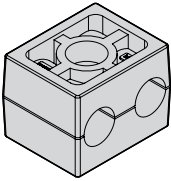
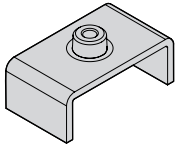
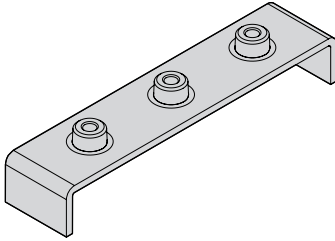
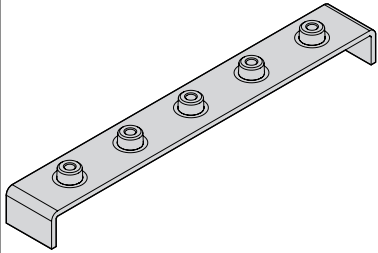
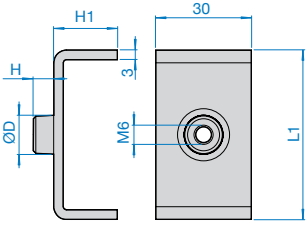
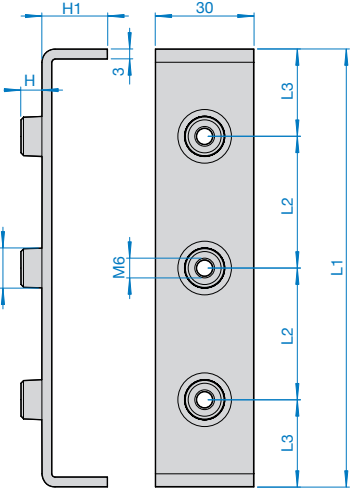
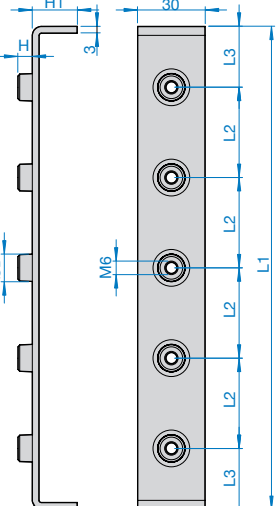
- **Standard** series p 42
- **Twin** series p 43
- Mounting example p 44



STANDARD SERIES WITH SPACED PLATES

Order Codes and Dimensions

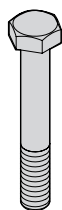
Clamp body (two clamp halves)	Single spaced plate PM C 1P	Multiple spaced plate PM C 2P	Multiple spaced plate PM C 4P
 TYPE 2-7	 TYPE 2-7 1P	 TYPE 2-7 2P	 TYPE 4 4P
Standard series clamps	PM C #1P XPM C #1P	PM C #2P XPM C #2P	PM C #4P XPM C #4P
For clamp body Dimensions, see page 7. For standard clamp body materials characteristics see page 78.	Code Pl.EFFE.CI. Type N. positions	Code Pl.EFFE.CI. Type N. positions	Code Pl.EFFE.CI. Type N. positions
	Type of thread	Type of thread	Type of thread
C2 AC2	PM C2 1P XPM C2 1P	PM C2 2P XPM C2 2P	...
C3 AC3	PM C3 1P XPM C3 1P	PM C3 2P XPM C3 2P	...
C4 AC4	PM C4 1P XPM C4 1P	PM C4 2P XPM C4 2P	PM C4 4P XPM C4 4P
C5 AC5	PM C5 1P XPM C5 1P	PM C5 2P XPM C5 2P	...
C6 AC6	PM C6 1P XPM C6 1P	PM C6 2P XPM C6 2P	...
C7 AC7	PM C7 1P XPM C7 1P	PM C7 2P XPM C7 2P	...
MATERIALS AND TYPE OF THREAD COMPONENTS AND ACCESSORIES	For mounting use N. 1 two clamps halves	For mounting use N. 2 two clamps halves	For mounting use N. 4 two clamps halves
All components and accessories are available in: Carbon steel St360 with finishing surface in white zinc-coated Fe Zn c8 II. Untreated area available on request. Stainless steel inox 316L : (X2 CrNiMo17-12-2) 1.4404 marked with X identification code.	 TYPE 2-7 1P	 TYPE 2-7 2P	 TYPE 4 4P
All the components are produced with metric thread, on request are also available with UNC thread. Metric thread: code M . UNC thread: code UNC .			
Materials description	Carbon steel St360 code PM C 1P Stainless st. AISI316L XPM C 1P	Carbon steel St360 code PM C 2P Stainless st. AISI316L code XPM C 2P	Carbon steel St360 code PM C 4P Stainless steel AISI316L code XPM C 4P
For mounting clamps using accessories standard series, see pages 4-6. For standard series accessories dimensions, see pages 7-9.	Code Pl.EFFE.CI. L1 L2 H H1 ØD	Code Pl.EFFE.CI. L1 L2 L3 H H1 ØD	Code Pl.EFFE.CI. L1 L2 L3 H H1 ØD
	PM C2 1P XPM C2 1P	PM C2 2P XPM C2 2P	...
	PM C3 1P XPM C3 1P	PM C3 2P XPM C3 2P	...
	PM C4 1P XPM C4 1P	PM C4 2P XPM C4 2P	PM C4 4P XPM C4 4P
	PM C5 1P XPM C5 1P	PM C5 2P XPM C5 2P	...
	PM C6 1P XPM C6 1P	PM C6 2P XPM C6 2P	...
	PM C7 1P XPM C7 1P	PM C7 2P XPM C7 2P	...

Clamp body (two clamp halves)	Single spaced plate PM CF 1P	Multiple spaced plate PM CF 3P	Multiple spaced plate PM CF 5P
 TYPE 1	 TYPE 1 1P	 TYPE 1 3P	 TYPE 1 5P
Twin series CF1 clamps	PM CF1 # 1P XP MCF1 # 1P	PM CF3 # 1P XP MCF1 # 3P	PM CF1 # 5P XP MCF1 # 5P
For dimensions, see page 28. For twin series clamp body materials characteristics, see page 78.	Code PI.EFFE.CI. Type N. positions	Code PI.EFFE.CI. Type N. positions	Code PI.EFFE.CI. Type N. positions
CF1	PMCF1 1P XPMCF1 1P	PMCF1 3P XPMCF1 3P	PMCF1 5P XPMCF1 5P
MATERIALS AND TYPE OF THREAD COMPONENTS AND ACCESSORIES	For mounting use N. 1 two clamps halves	For mounting use N. 3 two clamps halves	For mounting use N. 5 two clamps halves
All components and accessories are available in: Carbon steel St360 with finishing surface in white zinc-coated Fe Zn c8 II. Untreated area available on request. Stainless steel inox 316L : (X2 CrNiMo17-12-2) 1.4404 marked with X identification code. All the components are produced with metric thread, on request are also available with UNC thread. Metric thread: code M . UNC thread: code UNC .	 TYPE 1 1P	 TYPE 1 3P	 TYPE 1 5P
Upper plate PS CF1	Code steel St360 PM CF1 1P Stainless st. AISI316L c. XP MCF 1P	Code steel St360 PM CF1 3P Stainless st. AISI316L c. XP MCF 3P	Code steel St360 PM CF1 5P Stainless st. AISI316L c. XP MCF 5P
For dimensions, see page 29. For upper plate PS material characteristics, see page 78.	Code PI.EFFE.CI.	Code PI.EFFE.CI.	Code PI.EFFE.CI.
PS CF1 XPSCF1	PMCF1 1P XPMCF1 1P	PMCF1 3P XPMCF1 3P	PMCF1 5P XPMCF1 5P

Accessories CF1

For material characteristics of flat washer RP and hexagon head bolt TE, see page 78 (twin series clamps).

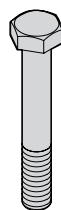
For Dimensions, see page 29.



TE CF1



RP CF1

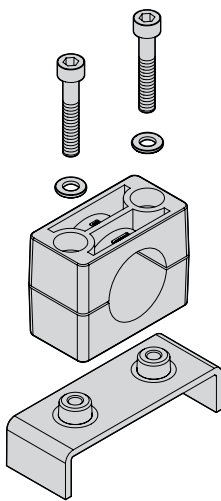


TER

STANDARD AND TWIN SERIES WITH SPACED PLATES

Mounting Example

Mounting Example of complete clamp C5 in Polypropylene for pipe with outside diameter of 30mm, with single spaced plate 1 position.



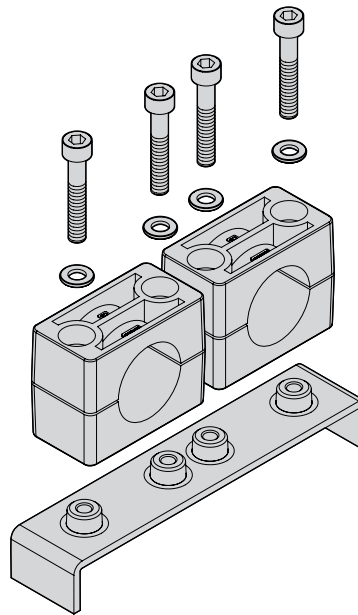
N.2 TCEI M6x35
Socketed cap screw
Steel 8.8 Metric Thread

N.2 RP
Flat washer in St360

N.1 C5 30 # #
Clamp body
(Two clamp halves)
in Polypropylene

N.1 PM C5 1P
Single spaced plate in St360
Metric thread
Surface finishing
white zinc-plating

Mounting Example of complete clamp C5 in Polypropylene for pipe with outside diameter of 30mm, with multiple spaced plate 2 positions.



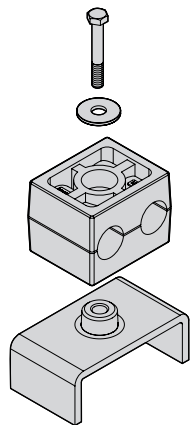
N.4 TCEI M6x35
Socketed cap screw
Steel 8.8 Metric Thread

N.4 RP
Flat washer in St360

N.2 C5 30 # #
Clamp body
(Two clamp halves)
in Polypropylene

N.1 PM C5 2P
Multiple spaced plate in St360
Metric thread
Surface finishing
white zinc-plating

Mounting Example of complete clamp CF1 in Polypropylene for pipe with outside diameter of 12mm, single spaced plate with upper plate.



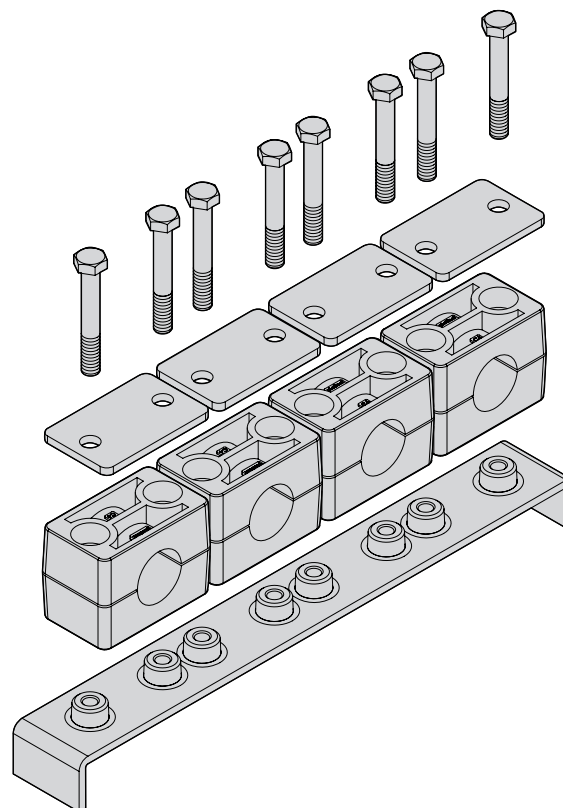
N.1 TE CF1 M6x30
Hexagon head bolt
Steel 8.8 Metric Thread

N.1 RP CF1 06
Flat washer in St360

N.1 CF 12 # #
Clamp body
(Two clamp halves)
in Polypropylene

N.1 PM CF1 1P
Single spaced plate
in St 360
Metric thread
Surface finishing
white zinc-plating

Mounting Example of complete clamp C5 in Polypropylene for pipe with outside diameter of 30mm, with multiple spaced plate 4 positions and upper plate.



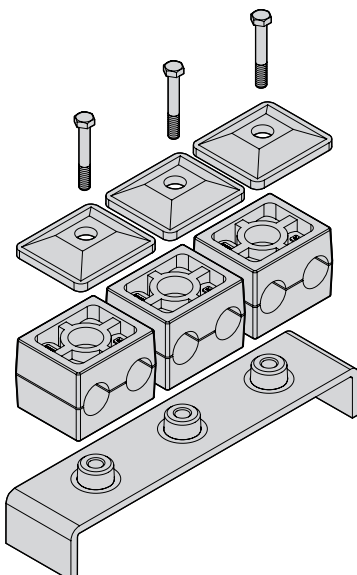
N.8 TCEI M6x35
Hexagon head bolt
Steel 8.8 Metric
Thread

N.4 PS4
Upper plate in St360
Surface finishing
white zinc-plating

N.4 C4 20 # #
Clamp body
(Two clamp halves)
in Polypropylene

N.1 PM C4 4P
Multiple spaced plate
in St360
Metric thread
Surface finishing
white zinc-plating

Mounting Example of complete clamp CF1 in Polypropylene for pipe with outside diameter of 12mm, multiple spaced plate with upper plate.



N.3 TE CF1 M6x35
Hexagon head bolt
Steel 8.8 Metric
Thread

N.3 PS CF1
Upper plate in St360
Surface finishing
white zinc-plating

N.3 CF1 12 # #
Clamp body
(Two clamp halves)
in Polypropylene

N.1 PM CF1 3P
Multiple spaced plate
in St 360
Metric thread
Surface finishing
white zinc-plating

NOTES

: material clamp body

PP: Polypropylene

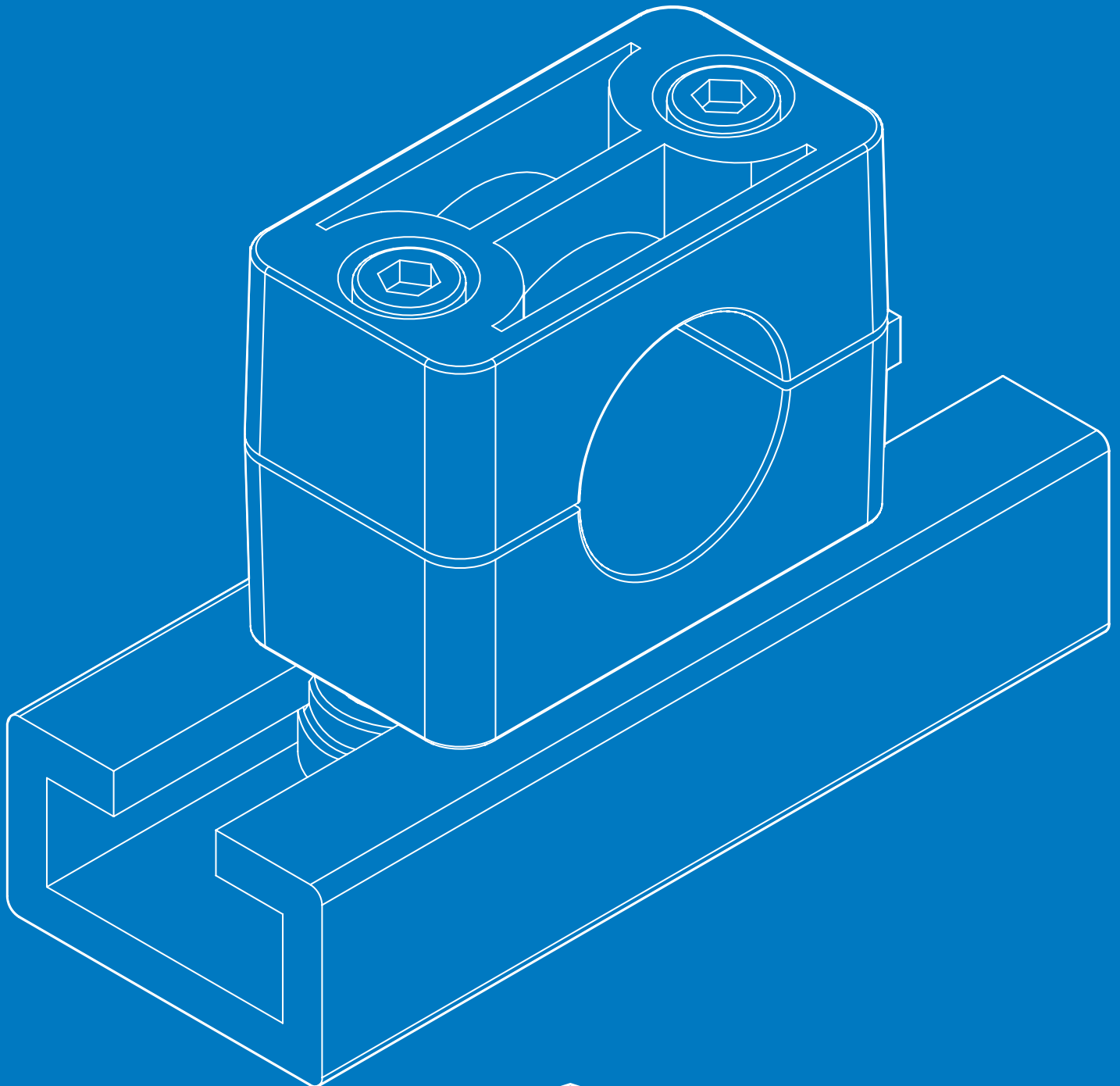
PA: Polyamide

AL: Aluminium

GM: Rubber

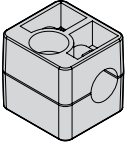
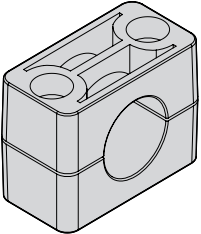



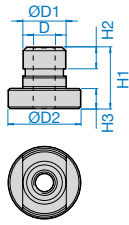
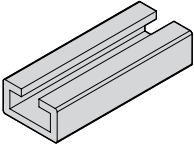
STANDARD and TWIN Series Clamps with MOUNTING RAIL

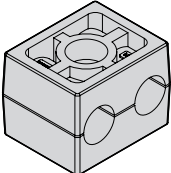
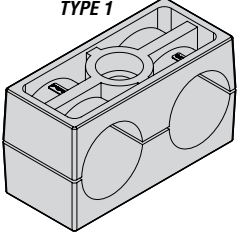

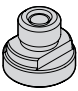

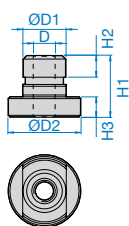
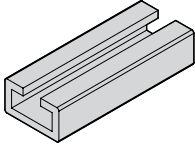
- **Standard series** DIN 3015, Part 1 p 46
- **Twin series** DIN 3015, Part 3 p 46



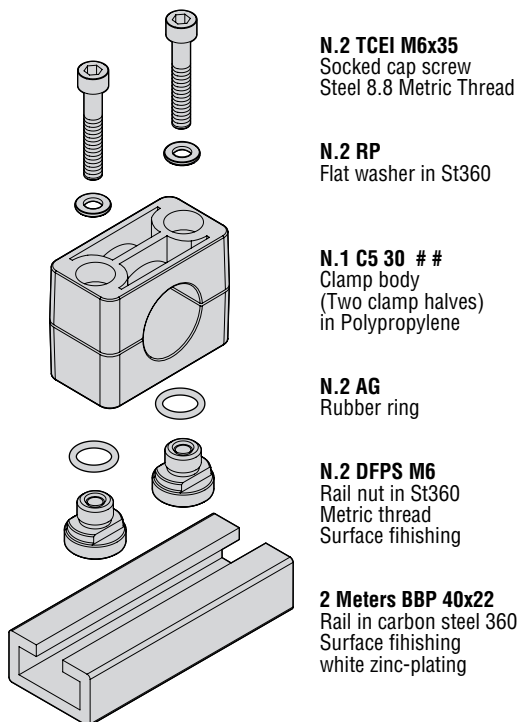
CLAMPS WITH MOUNTING RAIL 40x22

Order Codes and Dimensions

Clamp body (two clamp halves)	Rail nut with Rubber ring DFPS+AG							Mounting rail BB P		
 <p>TYPE 1</p>  <p>TYPE 2-9</p>	 <p>AG</p> <p>Use with BBP 40x22</p> 	 <p>AG</p> 								
Standard series clamps	DFPS XDFPS	#	S1360 code DFPS Stainless steel AISI 316L code XDFPS							Mounting rail 40x22
For Order Codes standard series clamps, see page 4. For Dimensions standard series clamps, see page 7.	Rail nut S1360 and AISI 316L	Type of thread	Code PI.EFFE.CI.	ØD1	ØD2	H1	H2	H3	D	For Order Codes mounting rail 40x22, see page 17. For Dimensions mounting rail 40x22, see page 22.
For standard series clamps, use rail nut M6 with Rubber ring AG 10x2	DFPS XDFPS	M6	DFPS XDFPS + AG	11,8	20	17	6	5,6	M6	

Clamp body (two clamp halves)	Rail nut with Rubber ring DFPS+AG							Mounting rail BB P		
 <p>TYPE 1</p>  <p>TYPE 2-5</p>	 <p>AG</p> <p>Utilizzo con BBP 40x22</p> 	 <p>AG</p> 								
Twin series clamps	DFPS XDFPS	#	S1360 code DFPS Stainless steel AISI 316L code XDFPS							Mounting rail 40x22
For Order Codes twin series clamps, see page 26. For Dimensions twin series clamps, see page 28.	Rail nut S1360 and AISI 316L	Type of thread	Code PI.EFFE.CI.	ØD1	ØD2	H1	H2	H3	D	For Order Codes mounting rail 40x22, see page 17. For Dimensions mounting rail 40x22, see page 22.
For twin series clamps CF1, use rail nut M6 with Rubber ring AG 10x2	DFPS XDFPS	M6	DFPS XDFPS + AG	11,8	20	17	6	5,6	M6	
For twin series clamps CF2-5, use rail nut M8 with Rubber ring AG 10x2		M8		13,6	20	16,5	5,2	5,5	M8	

Mounting Example of complete clamp C5 in Polypropylene for pipe with outside diameter of 30mm, mounting special rail nut.



N.2 TCEI M6x35
Socked cap screw
Steel 8.8 Metric Thread

N.2 RP
Flat washer in St360

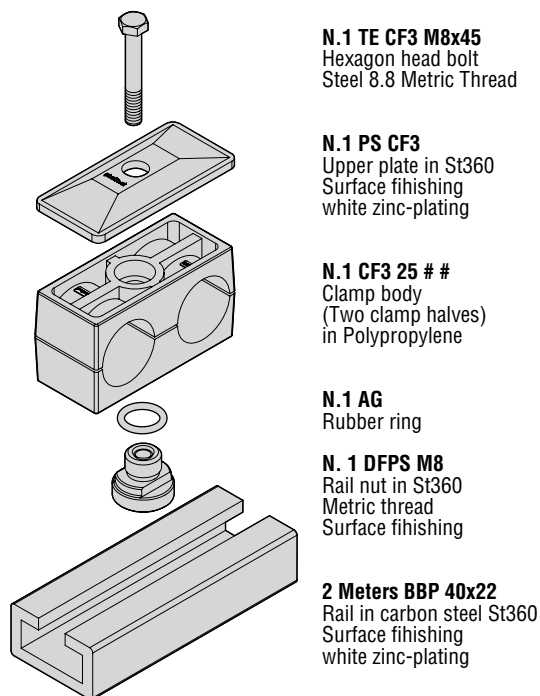
N.1 C5 30 ##
Clamp body
(Two clamp halves)
in Polypropylene

N.2 AG
Rubber ring

N.2 DFPS M6
Rail nut in St360
Metric thread
Surface finishing

2 Meters BBP 40x22
Rail in carbon steel 360
Surface finishing
white zinc-plating

Mounting Example of complete clamp CF3 in Polypropylene for pipe with outside diameter of 25mm, mounting special rail nut.



N.1 TE CF3 M8x45
Hexagon head bolt
Steel 8.8 Metric Thread

N.1 PS CF3
Upper plate in St360
Surface finishing
white zinc-plating

N.1 CF3 25 ##
Clamp body
(Two clamp halves)
in Polypropylene

N.1 AG
Rubber ring

N.1 DFPS M8
Rail nut in St360
Metric thread
Surface finishing

2 Meters BBP 40x22
Rail in carbon steel St360
Surface finishing
white zinc-plating

The rail nut is produced with metric thread, on request is also available with UNC thread.
Metric thread: code **M**.
UNC thread: code **UNC**.

The rail nut is produced with metric thread, on request is also available with UNC thread.
Metric thread: code **M**.
UNC thread: code **UNC**.

NOTES

: Material clamp body

PP: Polypropylene

PA: Polyamide

A: Aluminium

GM: Rubber

Material ring AG: Rubber NBR

MECHANICAL CHARACTERISTICS

Hardness shore: 70 A (ASTM D 2240)

Density: g/cm³ 1.25 (ASTM D 792)

Tensile strength: MPa 14.3 (ASTM D 412 C)

Elongation at break: % 390

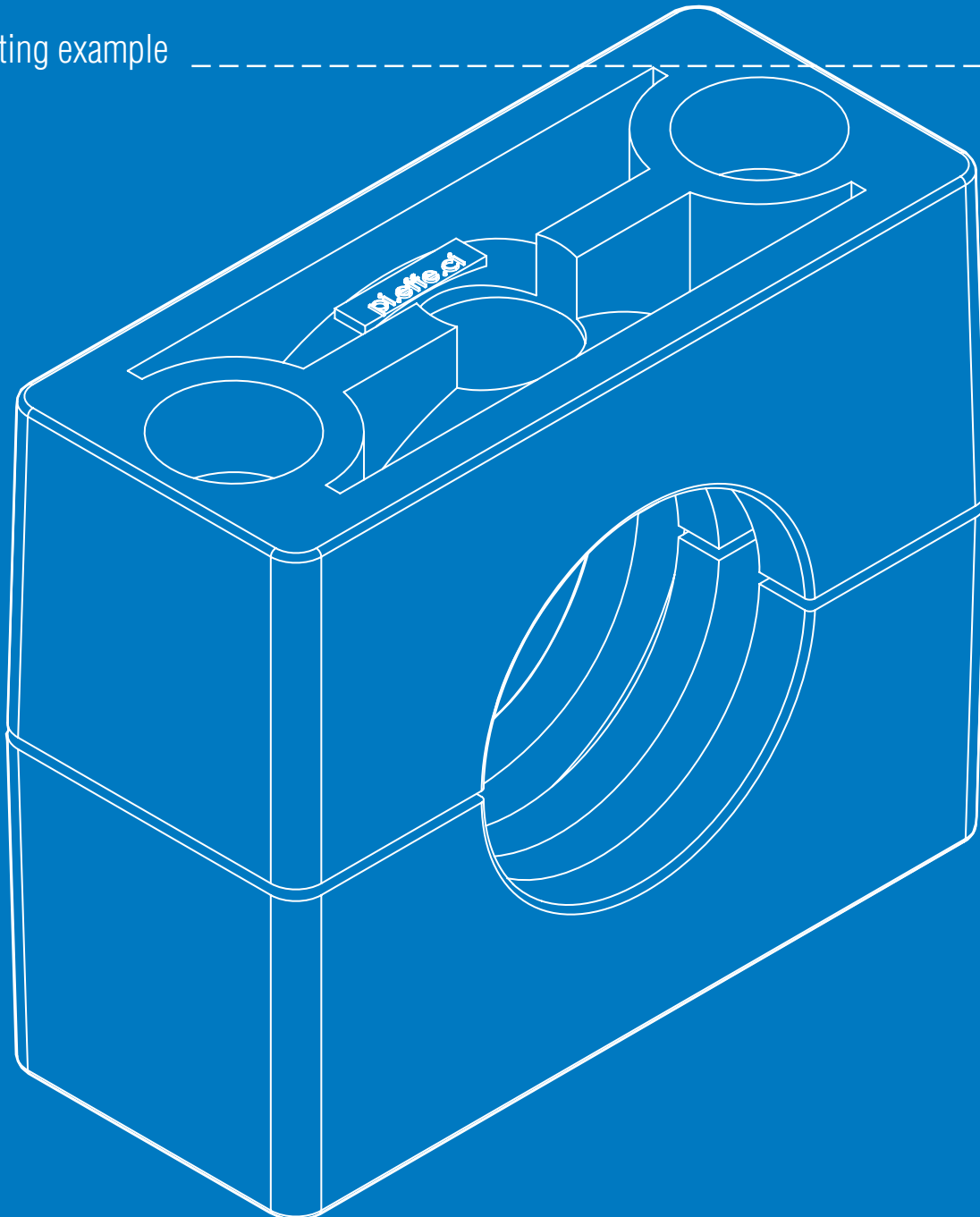
Tear strength: N/mm 49 (ASTM D 624 B)

THERMAL CHARACTERISTICS

Operating temperature range: -30°C to +120°C

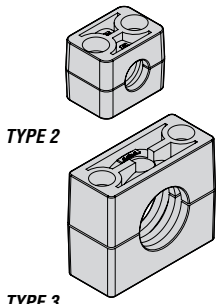
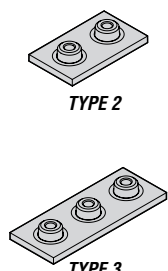
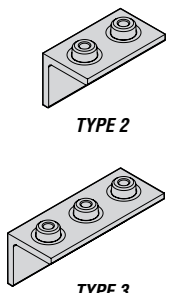
SPECIAL Clamps

- Order codes p 50
- Dimensions p 50
- Mounting example p 52

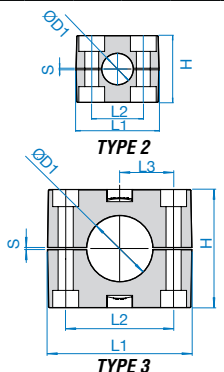
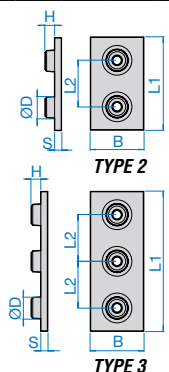
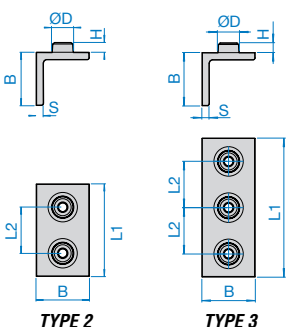


SPECIAL CLAMPS

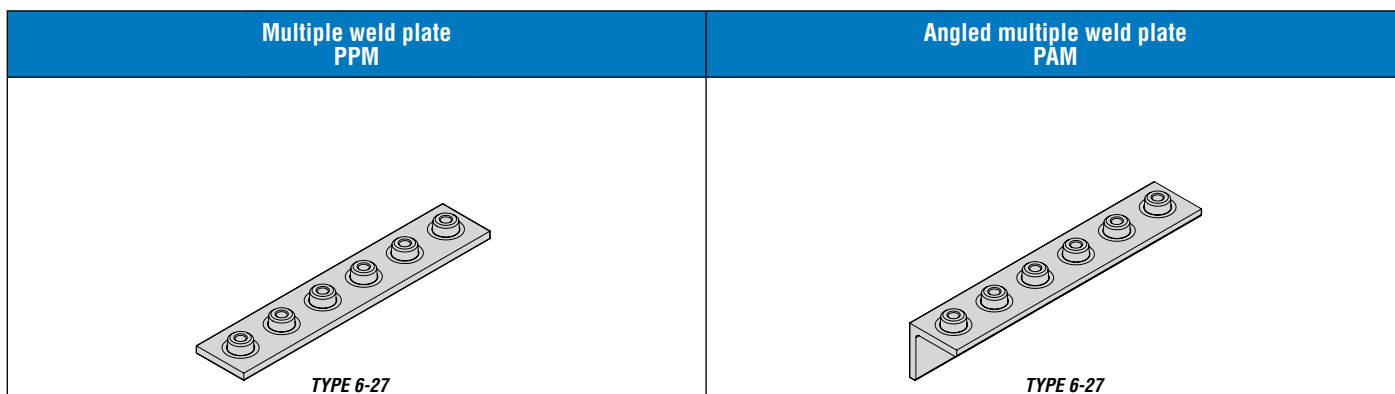
Order Codes and Dimensions

PIPE CLAMPS MATERIAL	Clamp body (two clamp halves)	Single weld plate PP	Angled single weld plate PA
Code PP : Polypropylene material Colour Blue NB: other colours on demand.			
Code PA : Polyamide material Colour Black .			
Code GM : Rubber Elastomer material Colour Black .			
Internal surface clamp body Profiled .			
For materials characteristics see page 78.			

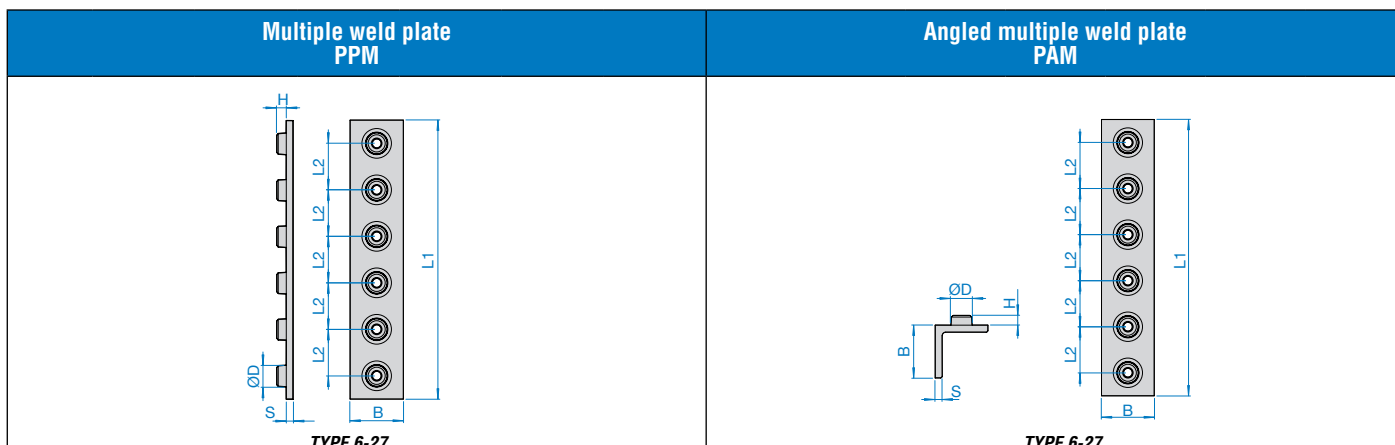
Components description			# # - # #, # # - # #			PP# XPP# #		PA# XPA# #	
Code PI.EFFE.CI. clamp body	O.D. of Pipe/Tube/Hose		Code PI.EFFE.CI. Type	Outside diameter in mm	Material of clamp body	Single weld plate S1360 and AISI 316L Type	Type of thread	Angled single weld plate S1360 and AISI 316L Type	Type of thread
	in mm	nominal bore pipe in inch							
S2	8	1/8"	S2	8	##	PP2 XPP2	M6	PA2 XPA2	M6
	10								
	12								
	14								
	15								
	16								
	17.2								
S3	18	3/8"	S3	18	##	PP3 XPP3	M6	PA3 XPA3	M6
	20								
	21.3								
	22								
	23								
	25								
	26.9								
	28								
	30								
	32								
	33.7								
	35								
	38								
	40								
42.4									
	1.1/4"			42.4	##				

MATERIALS AND TYPE OF THREAD COMPONENTS AND ACCESSORIES	Clamp body (two clamp halves)	Single weld plate PP	Angled single weld plate PA
All components and accessories are available in: Carbon steel S1360 with finishing surface in white zinc-coated Fe Zn c8 II. Untreated area available on request. Stainless steel inox 316L : (X2 CrNiMo17-12-2) 1.4404 marked with X identification code.			
All the components are produced with metric thread, on request are also available with UNC thread. Metric thread: code M . UNC thread: code UNC .			

Components description			Material PP-PA-GM code S					Carbon steel S1360 code PP Stainless steel AISI316L code XPP						Carbon steel S1360 code PA Stainless steel AISI316L code XPA									
Code PI.EFFE.CI. clamp body	O.D. of Pipe/Tube/Hose ØD1		L1	L2	L3	H	S	Width	Code PI.EFFE.CI.	L1	L2	B	S	H	ØD	Code PI.EFFE.CI.	L1	L2	B	S	H	ØD	
	in mm	nom. bore pipe in inch																					
S2	8	1/8"	43	26	---	33	0,8	30	PP2 XPP2	52	26	30	4	5,5	12	PA2 XPA2	52	26	30	4	5,5	12	
	10																						
	12																						
	14																						
	15																						
	16																						
	17.2																						
S3	18	3/8"	70	52	26	57	1	30	PP3 XPP3	78	26	30	4	5,5	12	PA3 XPA3	78	26	30	4	5,5	12	
	20																						
	21.3																						
	22																						
	23																						
	25																						
	26.9																						
	28																						
	30																						
	32																						
	33.7																						
	35																						
	38																						
	40																						
42.4																							
	1.1/4"																						



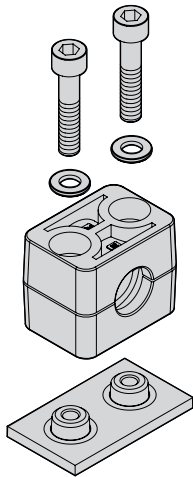
PPM# XPPM#		#	PAM# XPAM#		#
Multiple weld plate St360 and AISI 316L Type	Type of thread			Angled multiple weld plate St360 and AISI 316L Type	Type of thread
PPM6 XPPM6	M6			PAM6 XPAM6	M6
PPM9 XPPM9				PAM9 XPAM9	
PPM12 XPPM12				PPA12 XPAM12	
PPM15 XPPM15				PAM15 XPAM15	
PPM20 XPPM20				PAM20 XPAM20	
PPM27 XPPM27				PAM27 XPAM27	



Carbon steel St360 code PPM Stainless steel AISI316L code XPPM							Carbon steel St360 code PAM Stainless steel AISI316L code XPAM						
---	--	--	--	--	--	--	---	--	--	--	--	--	--

Code PI.EFFE.CI.	L1	L2	B	S	H	ØD	Code PI.EFFE.CI.	L1	L2	B	S	H	ØD
PPM6 XPPM6	156	26	30	4	5,5	12	PAM6 XPAM6	156	26	30	4	5,5	12
PPM9 XPPM9	234	26	30	4	5,5	12	PAM9 XPAM9	234	26	30	4	5,5	12
PPM12 XPPM12	312	26	30	4	5,5	12	PPA12 XPAM12	312	26	30	4	5,5	12
PPM15 XPPM15	390	26	30	4	5,5	12	PAM15 XPAM15	390	26	30	4	5,5	12
PPM20 XPPM20	520	26	30	4	5,5	12	PAM20 XPAM20	520	26	30	4	5,5	12
PPM27 XPPM27	702	26	30	4	5,5	12	PAM27 XPAM27	702	26	30	4	5,5	12

Mounting Example of complete clamp S2 in Polypropylene for pipe with outside diameter of 18mm, with single weld plate.



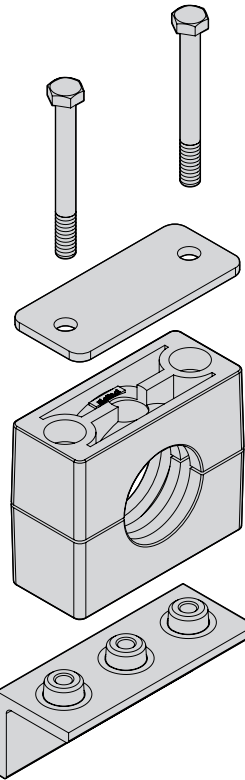
N.2 TCEI M6x25
Socked cap screw
Steel 8.8 Metric Thread

N.2 RP
Flat washer in St360

N.1 S2 18 # #
Clamp body
(Two clamp halves)
in Polypropylene

N.1 PP2
Weld plate in St360
Metric thread
Surface finishing
white zinc-plating

Mounting Example of complete clamp S3 in Polyamide for pipe with outside diameter of 30mm, with angled single weld plate.



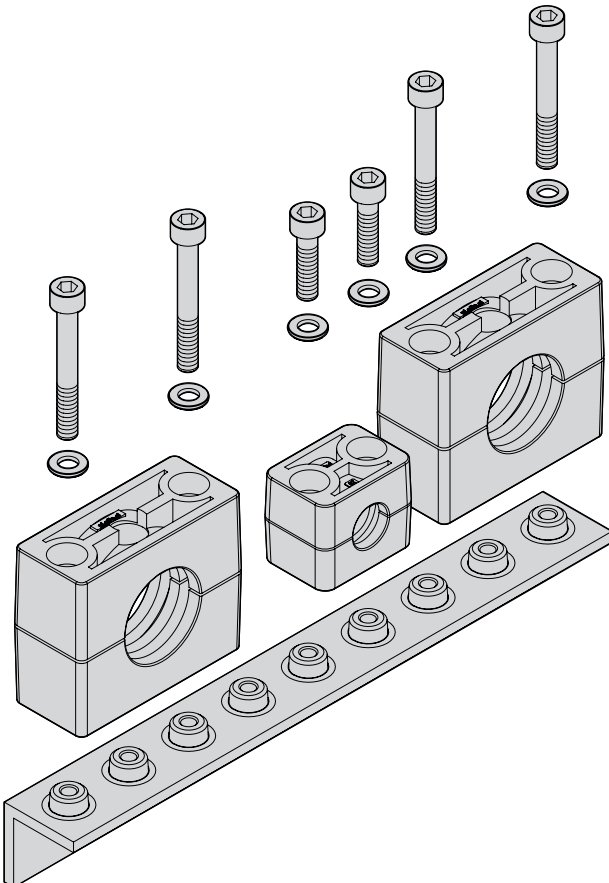
N.2 VE6 M6x60
Hexagon head bolt
Steel 8.8 Metric Thread

N.1 PS6
Upper plate in St360
Surface finishing
white zinc-plating

N.1 S3 30 # #
Clamp body
(Two clamp halves)
in Polypropylene

N.1 PA3
Angled multiple weld plate in St360
Metric thread
Surface finishing white zinc-plating

Mounting Example of complete clamps S2 in Polypropylene with outside diameter of 18mm, S3 in Polypropylene with outside diameter of 30mm with angled multiple weld plate.



N.2 TCEI M6x25
Socked cap screw
Steel 8.8 Metric Thread

N.4 TCEI M6x60
Socked cap screw
Steel 8.8 Metric Thread

N.6 RP
Flat washer in St360

N.1 S2 18 # #
Clamp body
(Two clamp halves)
in Polypropylene

N.2 S3 30 # #
Clamp body
(Two clamp halves)
in Polypropylene

N.1 PAM9
Angled multiple weld plate
in St360
Metric thread
Surface finishing
white zinc-plating

NOTES

: material clamp body

PP: Polypropylene

PA: Polyamide

GM: Rubber Elastomer

This clamps type has the same characteristics as standard series.

It is very versatile. That's why it covers a diameter range from 8mm to 42,4mm with only two clamp types.

Furthermore these two clamp types can be mounted on multiple plates without distinction.

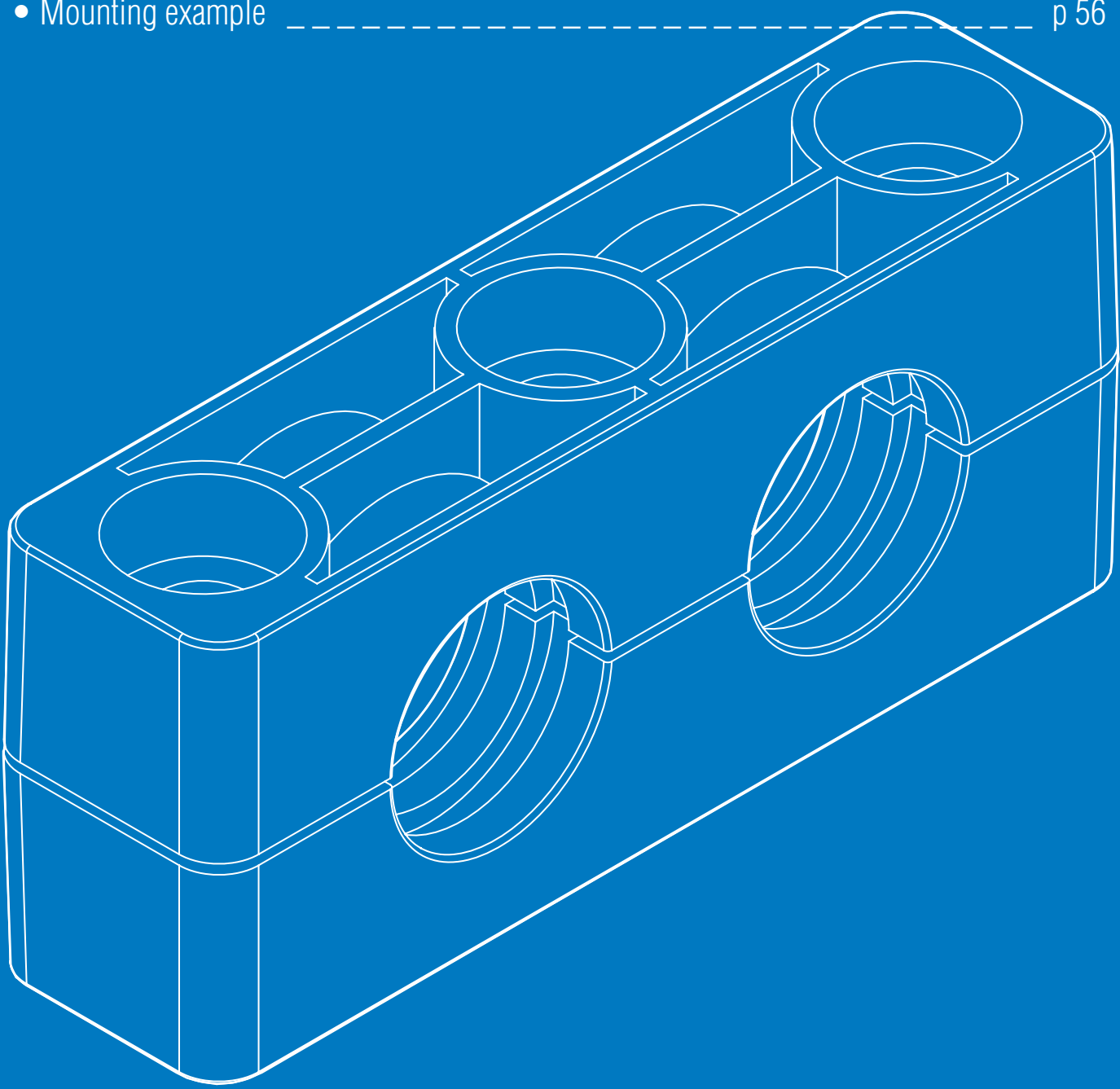
For mounting clamps S2 and S3, use components standard series on pages 5 and 6.

For dimensions standard series components, see pages 8 and 9.

HEAVY Series TWIN DESIGN Clamps

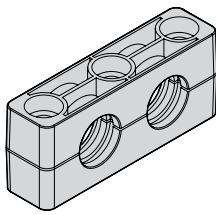
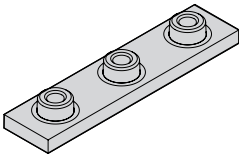
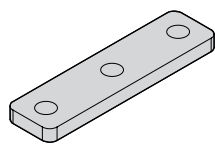
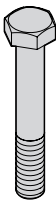
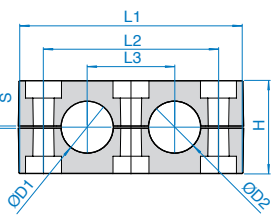
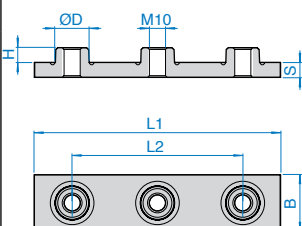
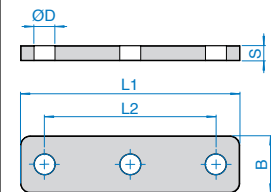
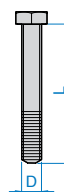
DIN 3015, Part 2

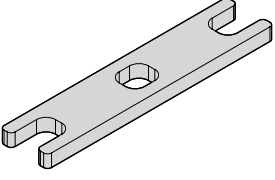

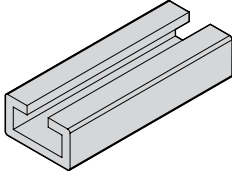
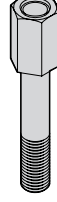
- Order codes p 54
- Dimensions p 54
- Mounting example p 56

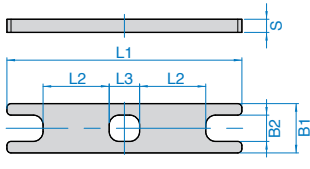
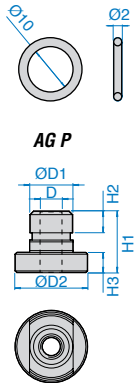
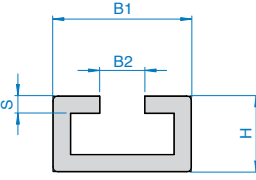
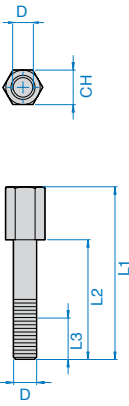


HEAVY SERIES TWIN DESIGN CLAMPS

Order Codes and Dimensions

PIPE CLAMPS MATERIAL				Clamp body (two clamp halves)			Weld plate PD CP			Upper plate PSD CP			Hexagon head bolt TE CP											
Code PP : Polypropylene material Colour Blue NB: other colours on demand.				 <p style="text-align: center;">TYPE 2-3</p>			 <p style="text-align: center;">TYPE 2-3</p>			 <p style="text-align: center;">TYPE 2-3</p>			<p style="text-align: center;">EN ISO 4014 / 4017</p> 											
Code PA : Polyamide material Colour Black .																								
Internal surface clamp body Knurled . NB Different diameters are available on demand. For material characteristics and mounting see pages. 78 e 80.																								
Components description				## - ##, ## - ##			PD CP # D XPD CP # D			PSD CP # D XPSD CP # D			TE CP # XTE CP #											
Code PI.EFFE.CI. clamp body	O.D. of Pipe/Tube/Hose			Code PI.EFFE.CI. Type	Outside diameter in mm	Material of clamp body	Weld plate St430 and AISI 316L Type	Type of thread	Upper plate St430 and AISI 316L Type	Hexagon head bolt Steel 8.8 and A4 Type	Type of thread													
	in mm	nominal bore pipe in inch	in inch																					
CP2 D	19		3/4"	CP2 D	19	##	PD CP2D XPD CP2D	M10	PSD CP2D XPSD CP2D	TE CP2 XTE CP2	M10x60													
	20				20	##																		
	21,3	1/2"			21,3	##																		
	22		7/8"		22	##																		
	25,4		1"		25,4	##																		
CP3 D	26,9	3/4"		26,9	##	PD CP3D XPD CP3D	M10	PSD CP3D XPSD CP3D	TE CP3 XTE CP3	M10x70														
	32		1.1/4"	32	##																			
	33,7	1"		33,7	##																			
	38		1.1/2"	38	##																			
	40			40	##																			
42,4	1.1/4"		42,4	##																				
All components and accessories are available in: Carbon steel St430 with finishing surface in white zinc-coated Fe Zn c8 II. Untreated area available on request. Stainless steel inox 316L : (X2 CrNiMo17-12-2) 1.4404 marked with X identification code.				 <p style="text-align: center;">TYPE 2-3</p>			 <p style="text-align: center;">TYPE 2-3</p>			 <p style="text-align: center;">TYPE 2-3</p>														
All the components are produced with metric thread, on request are also available with UNC thread. Metric thread: code M . UNC thread: code UNC .																								
Materials description				Material PP-PA-GM code CP D			Carbon steel St430 code PD CPD Stainless steel AISI 316L code XPD CPD			Carbon steel St430 code PSD CPD Stainless steel AISI 316L XPSD CPD			Steel 8.8 code TE CP Stainless st. A4 XTE CP											
Code PI.EFFE.CI. clamp body	O.D. of Pipe/Tube/Hose ØD1-ØD2			L1	L2	L3	H	S	Width	Code PI.EFFE.CI.	L1	L2	B	S	H	ØD	Code PI.EFFE.CI.	L1	L2	B	S	ØD	Code PI.EFFE.CI.	DxL
	in mm	nominal bore pipe in inch	in inch																					
CP2 D	19		3/4"	115	90	45	48	1	30	PD CP2D XPD CP2D	130	90	30	8	8	18	PSD CP2D XPSD CP2D	115	90	30	8	11	TE CP2 XTE CP2	M10x60
	20																							
	21,3	1/2"																						
	22		7/8"																					
	25,4		1"																					
CP3 D	26,9	3/4"		145	120	60	60	1,2	30	PD CP3D XPD CP3D	160	120	30	8	8	18	PSD CP3D XPSD CP3D	145	120	30	8	11	TE CP3 XTE CP3	M10x70
	32		1.1/4"																					
	33,7	1"																						
	38		1.1/2"																					
	40																							
42,4	1.1/4"																							

Locking plate PB CPD			Rail nut with rubber ring DF P		Mounting rail BB P		High hexagon head bolt VA CP	
<p>For overlapped clamps</p>  <p>TYPE 2-3</p>			 <p>AG P</p>				<p>For overlapped clamps</p> 	
PB CP # D XPB CP # D			DFP # XDFP #		BB P XBB P		VA CP # XVA CP #	
Locking plate St430 and AISI 316L Type			Rail nut St360 and AISI 316L	Type of thread	Mounting Rail St360 and AISI 316L		High hexagon head bolt St360 and AISI 316L type	Type of thread
PB CP2D	CP2D	XPB	DF P XDFP P	M10	BB P XBB P lenght 2m	VA CP2 XVA CP2	M10	
PB CP3D	CP3D	XPB				VA CP3 XVA CP3	M10	

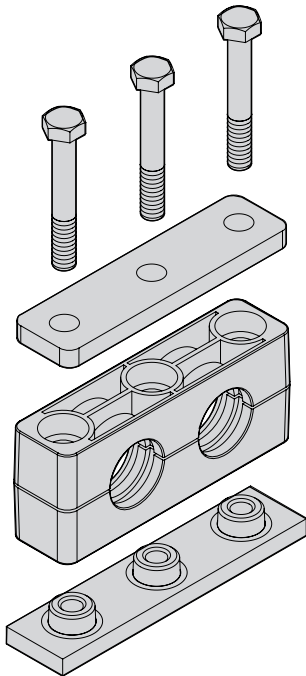
 <p>TYPE 2-3</p>			 <p>AG P</p>					
---	--	--	---	--	--	--	---	--

Carbon steel St430 code PB CPD Stainless steel AISI 316L code XPB CPD							St360 code DF P Stainless steel AISI 316L code XDF P							Carbon steel St360 code BB P Stainless steel AISI 316L code XBB P					St360 code VA CP Stainless steel AISI 316L code XVA CP					
Code P.I.EFFE.CI.	L1	L2	L3	B1	B2	S	Code P.I.EFFE.CI.	ØD	ØD2	H1	H2	H3	D	Code P.I.EFFE.CI.	B1	B2	H	S	Code P.I.EFFE.CI.	D	L1	L2	L3	CH
PB CP2D XPB CP2D	114	26	18,5	30	16	8	DF P XDF P + AG	17,7	22	21	7	7	M10	BB P XBB P	40	13	22	5	VA CP2 XVA CP2	M10	65	40	18	15
PB CP3D XPB CP3D	143	40	18,5	30	16	8													VA CP3 XVA CP3	M10	77	51	18	15

HEAVY SERIES TWIN DESIGN CLAMPS

Mounting Example

Mounting Example of complete clamp CP3-D in Polypropylene for pipe with outside diameter of 40mm with single weld plate and upper plate.



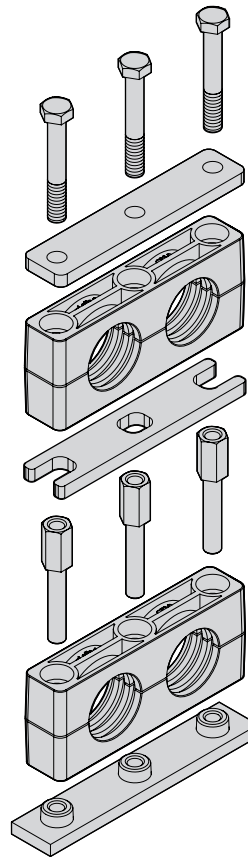
N.3 TE CP3 M10x70
Hexagon head bolt Steel 8.8
Metric Thread

N.1 PSD CP3 D
Upper plate in St430
Surface finishing
white zinc-plating

N.1 CP3D 40 # #
Clamp body
(Two clamp halves)
in Polypropylene

N.1 PD CP3D
Weld plate in St430 Metric
thread Surface finishing
white zinc-plating

Mounting Example of complete stacked clamp CP3 D in Polypropylene for pipe with outside diameter of 40mm with single weld plate and upper plate



N.3 TE CP3 M10x70
Hexagon head bolt
Steel 8.8 Metric Thread

N.1 PSD CP3D
Upper plate in St430
Surface finishing
white zinc-plating

N.1 CP3D 40 # #
Clamp body
(Two clamp halves)
in Polypropylene

N.3 VA CP3D
Stacking bolt in St360
Metric thread

N.1 PB CP3D
Locking plate
in St430

N.1 CP3D 40 # #
Clamp body
(Two clamp halves)
in Polypropylene

N.1 PD CP3D
Weld plate in St430
Metric thread
Surface finishing white zinc plating

NOTES

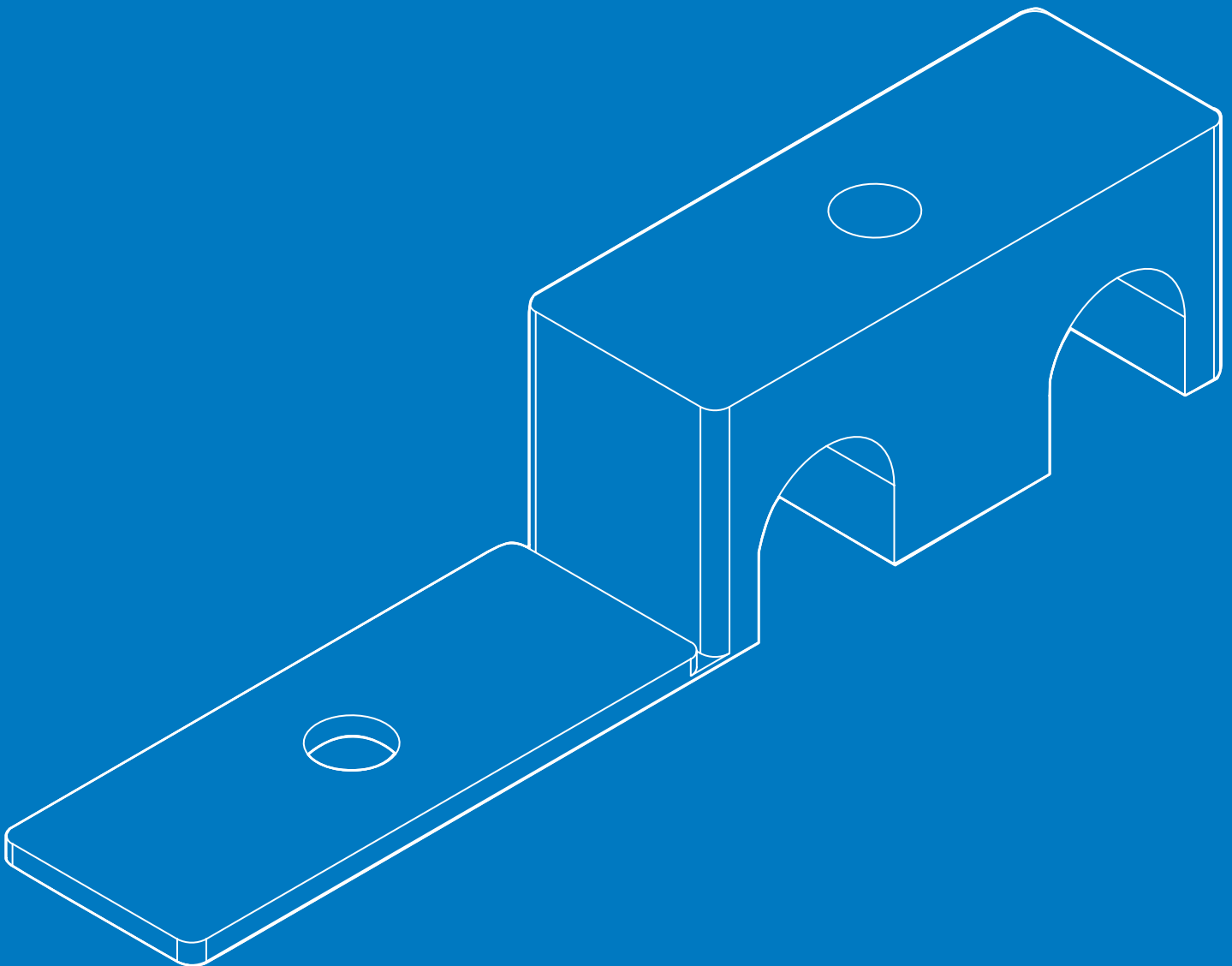
: material clamp body

PP: Polypropylene

PA: Polyamide

LIGHT Series Clamps

- Order codes _____ p 58
- Dimensions _____ p 58

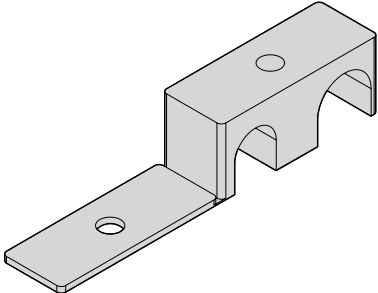
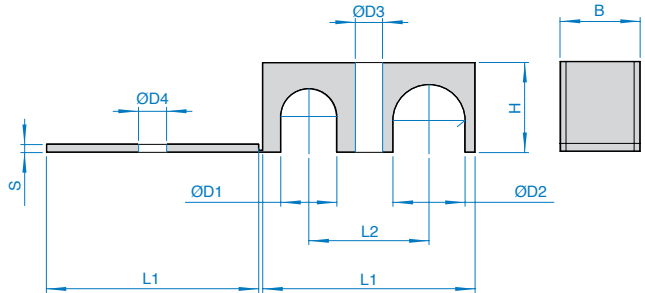


PIPE CLAMPS - LIGHT SERIES

Order Codes and Dimensions

PIPE CLAMPS MATERIAL				Type A (identical diameters)											
Code PP : Polypropylene material Colour Blue NB: other colours on demand.															
Internal surface clamp body Smooth .															
For materials characteristics see pages 78 and 80.															
## - ##, ## - ##				Dimensions Type A (identical diameters)											
Code PI.EFFE.CI. clamp body	O.D. of Pipe/Tube/Hose ØD1 / ØD2			Code PI.EFFE.CI.	Outside diameter in mm	Material of clamp body	L1	L2	B	H	S	ØD3	ØD4		
	in mm	nominal bore pipe in inch	in inch												
A	4			A	4	##	31	18	12,8	10,5	2	6,8	7		
	6				6	##									
	8				8	##									
	9,5		3/8"		39	9,5	##	22	16	15	2	6,8	7		
	10	1/8"												10	##
	12													12	##
	12,7		1/2"		53	12,7	##	30	20	22,5	2	6,8	7		
	13,5	1/4"												13,5	##
	14													14	##
	15				70	15	##	38	20	30	2	6,8	7		
	16		5/8"											16	##
	17,2	3/8"												17,2	##
	18				20	18	##	21,3	30	2	6,8	7			
	19		3/4"										19	##	
	20												20	##	
21,3	1/2"		25,4	21,3	##	25,4	25,4	2	6,8	7					
22		7/8"									22	##			
25,4		1"									25,4	##			

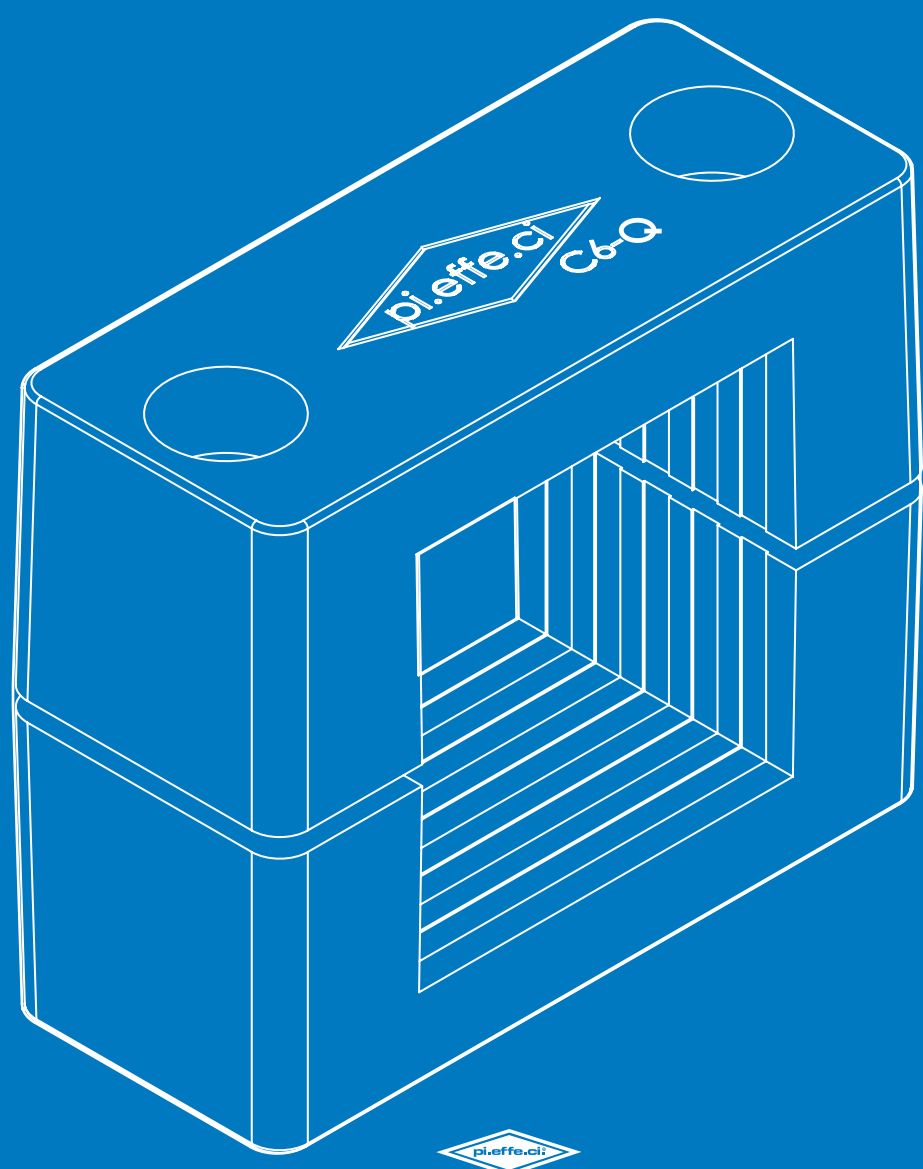
PIPE CLAMPS MATERIAL				Type B												
Code PP : Polypropylene material Colour Blue NB: other colours on demand.																
Internal surface clamp body Smooth .																
For materials characteristics see pages 78 and 80.																
## - ##, ## - ##				Dimensions Type B												
Code PI.EFFE.CI. clamp body	O.D. of Pipe/Tube/Hose ØD1			Code PI.EFFE.CI.	Outside diameter in mm	Material of clamp body	L1	L2	L3	B	H	S	ØD2	ØD3		
	in mm	nominal bore pipe in inch	in inch													
B	4			B	4	##	22	9	6,5	12,8	10,5	2	6,8	7		
	6				6	##										
	8				8	##										
	9,5		3/8"		27	9,5	##	13	5	16	15	2	6,8	7		
	10	1/8"													10	##
	12														12	##
	12,7		1/2"		34	12,7	##	15	7	20	22,5	2	6,8	7		
	13,5	1/4"													13,5	##
	14														14	##
	15				42	15	##	19	7	20	30	2	6,8	7		
	16		5/8"												16	##
	17,2	3/8"													17,2	##
	18				25,4	18	##	25,4	25,4	2	6,8	7				
	19		3/4"										19	##		
	20												20	##		
21,3	1/2"		25,4	21,3	##	25,4	25,4	2	6,8	7						
22		7/8"									22	##				
25,4		1"									25,4	##				

PIPE CLAMPS MATERIAL	Type C (different diameters)
Code PP : Polypropylene material Colour Blue NB: other colours on demand.	 
Internal surface clamp body Smooth .	
For materials characteristics see pages 78 and 80.	

				## - ##, ## - ##			Dimensions Type C (different diameters)						
Code PI.EFFE.CI. clamp body	O.D. of Pipe/Tube/Hose ØD1 / ØD2			Code PI.EFFE.CI.	Outside diameter in mm	Material of clamp body	L1	L2	B	H	S	ØD3	ØD4
	in mm	nominal bore pipe in inch	in inch										
C	4-6			C	4-6	##	31	18	12,8	10,5	2	6,8	7
	4-8				4-8	##							
	6-8				6-8	##							
	10-9,5	1/8"	3/8"		10-9,5	##	39	22	16	15	2	6,8	7
	12-9,5		3/8"		12-9,5	##							
	10-12	1/8"			10-12	##	53	30	20	22,5	2	6,8	7
	13,5-12,7	1/4"	1/2"		13,5-12,7	##							
	14-12,7		1/2"		14-12,7	##							
	15-12,7		1/2"		15-12,7	##							
	16-12,7		1/2"		16-12,7	##							
	17,2-12,7	3/8"	1/2"		17,2-12,7	##							
	18-12,7		1/2"		18-12,7	##							
	13,5-14	1/4"			13,5-14	##							
	13,5-15	1/4"			13,5-15	##							
	13,5-16	1/4"	5/8"		13,5-16	##							
	13,5-17,2	1/4"-3/8"			13,5-17,2	##							
	13,5-18	1/4"			13,5-18	##							
	14-15				14-15	##							
	14-16		5/8"		14-16	##							
	17,2-14	3/8"			17,2-14	##							
	14-18				14-18	##							
	15-16		5/8"		15-16	##							
	17,2-15	3/8"			17,2-15	##							
	15-18				15-18	##							
	17,2-16	3/8"	5/8"		17,2-16	##							
	16-18				16-18	##							
	17,2-18	3/8"			17,2-18	##							
	20-19		3/4"		20-19	##	70	38	20	30	2	6,8	7
	21,3-19	1/2"	3/4"		21,3-19	##							
	22-19		7/8"-3/4"		22-19	##							
	25,4-19		1"-3/4"		25,4-19	##							
	21,3-20	1/2"			21,3-20	##							
22-20		7/8"	22-20	##									
21,3-22	1/2"	7/8"	21,3-22	##									
21,3-25,4	1/2"	1"	21,3-25,4	##									
22-25,4		7/8"-1"	22-25,4	##									

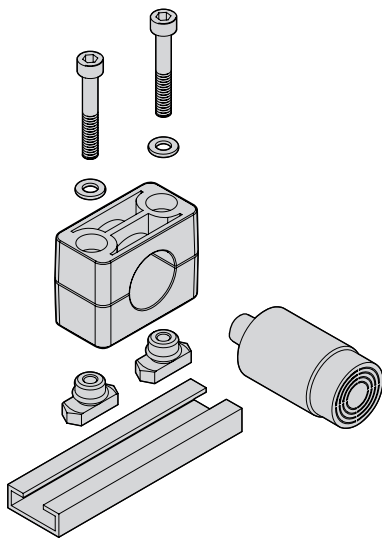
Special Clamps for INDUSTRIAL ELECTRIC APPLICATION and CUSTOM DESIGNED Clamps

- Mounting example ----- p 62



SPECIAL CLAMPS FOR INDUSTRIAL ELECTRIC APPLICATION AND CUSTOM DESIGNED CLAMPS

Proximity switches cylindrical



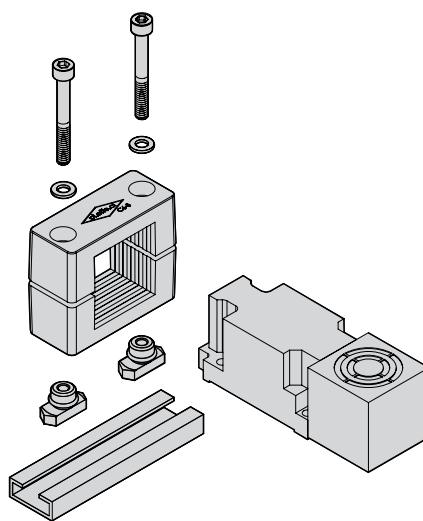
Order code: see standard series.

Proximity switches Cylindrical type.

Mounting clamps and accessories standard series.

We recommend the use of the rail for the axial and horizontal position adjustment.

Proximity switches rectangular type



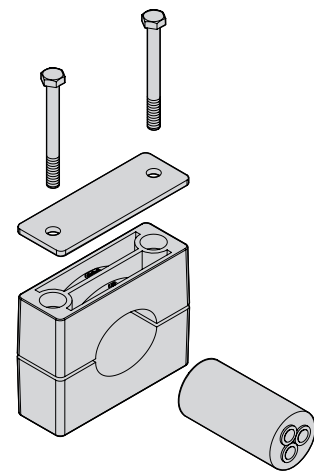
Order code: C6Q 40x40 PP

Proximity switches Rectangular type.

Mounting clamp type C6Q and accessories standard series.

We recommend the use of the rail for the axial and horizontal position adjustment.

For clamping of electric cables

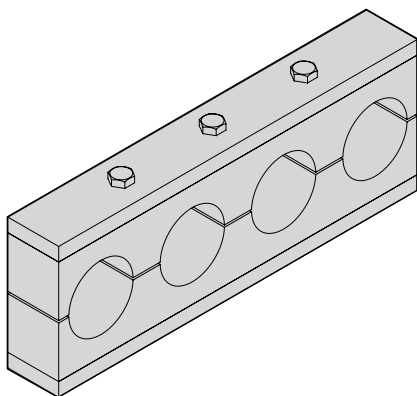


Order code: C7C 25 PP (standard series)
Order code: CP4C 50 PP (heavy series)

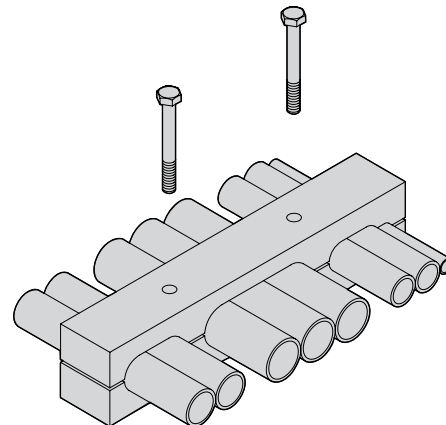
Clamps with oval hole for fixing electric cables. Clamp type C7 for the standard series for cable diameters between 20 and 50 mm. Clamp type CP4 for the heavy series for cable diameters between 40 and 72 mm.

Accessories: see Standard series and Heavy series.

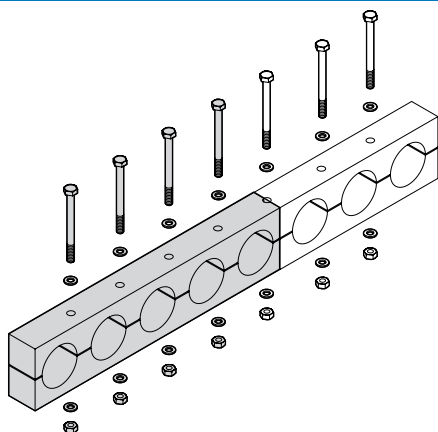
Special clamps to 4 diameters



Special clamps for tubes side by side



Special clamps from 5 to 8 diameters



NOTES

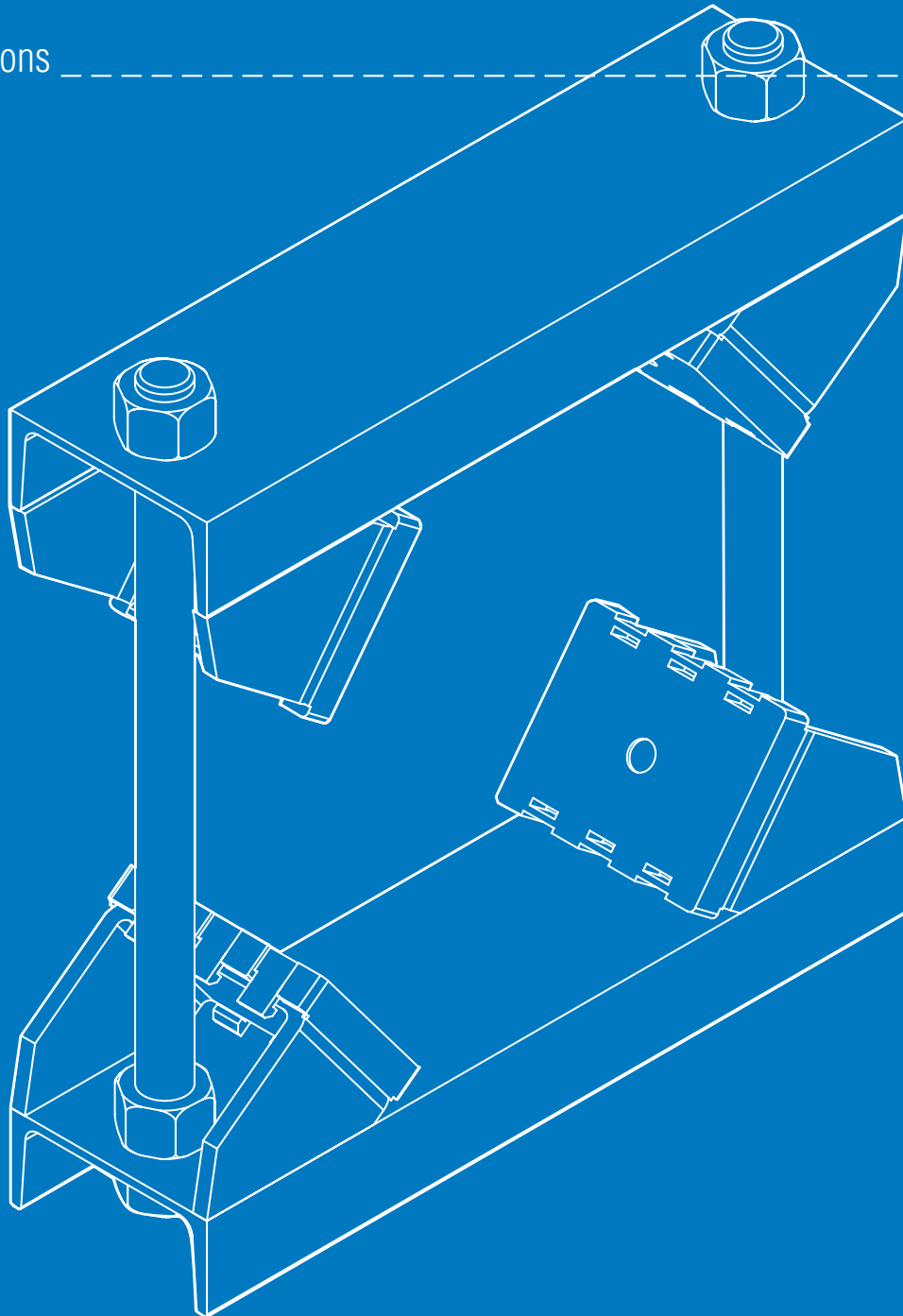
Custom designed pipe clamps, according to customer's specifications.

Accessories are available on request.

Materials: plastics and metal accessories.

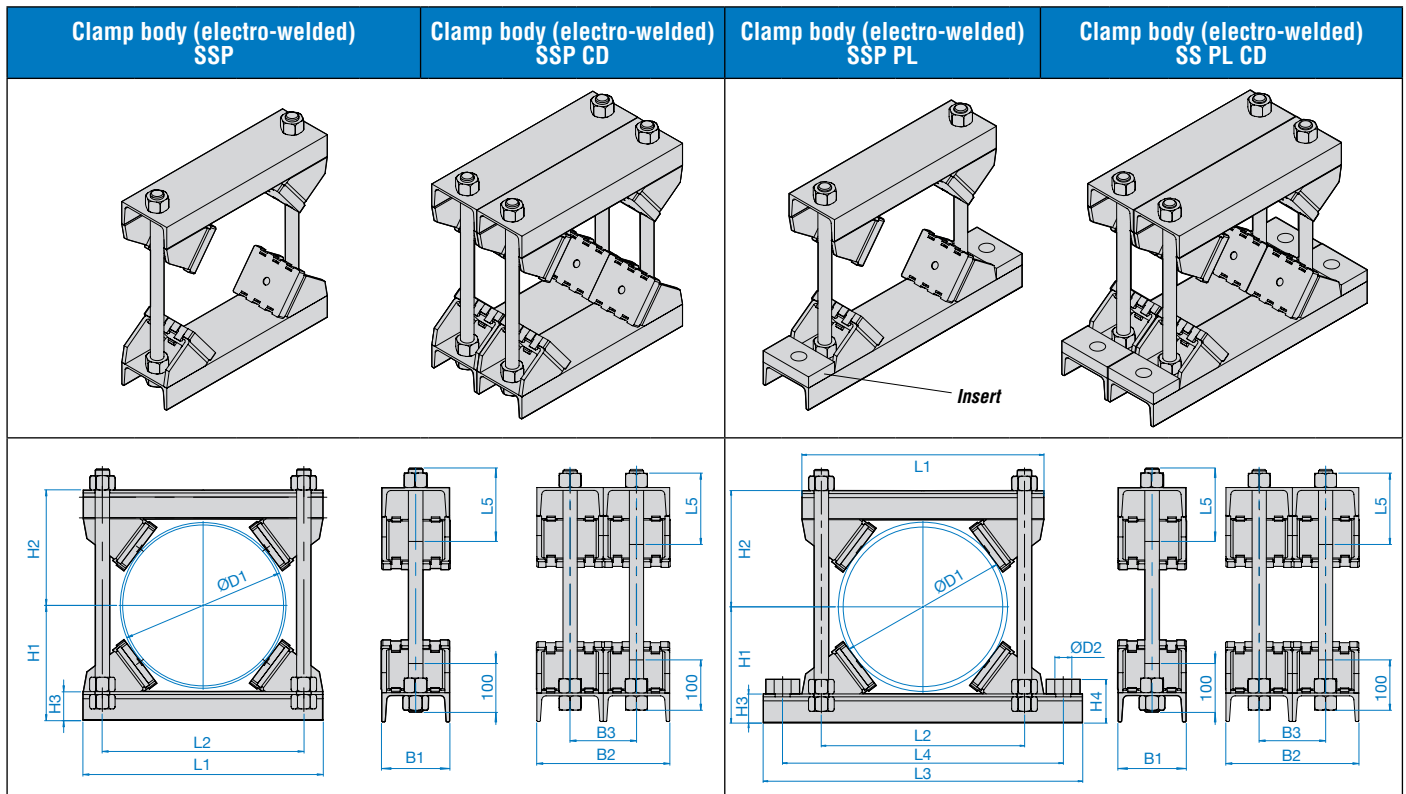
Super HEAVYWEIGHT Series

- Order codes p 64
- Dimensions p 64



SUPER HEAVYWEIGHT SERIES

Electro-welded Clamps



Carbon steel St430
code SSP - SSP PL
SSP CD - SSP PL CD
Electro-welded clamp
with U profile NP 140
Surface finishing zinc plated
Fe Zn c8 II

Steel brace in Carbon steel C45
Surface finishing
zinc plated Fe Zn c8 II

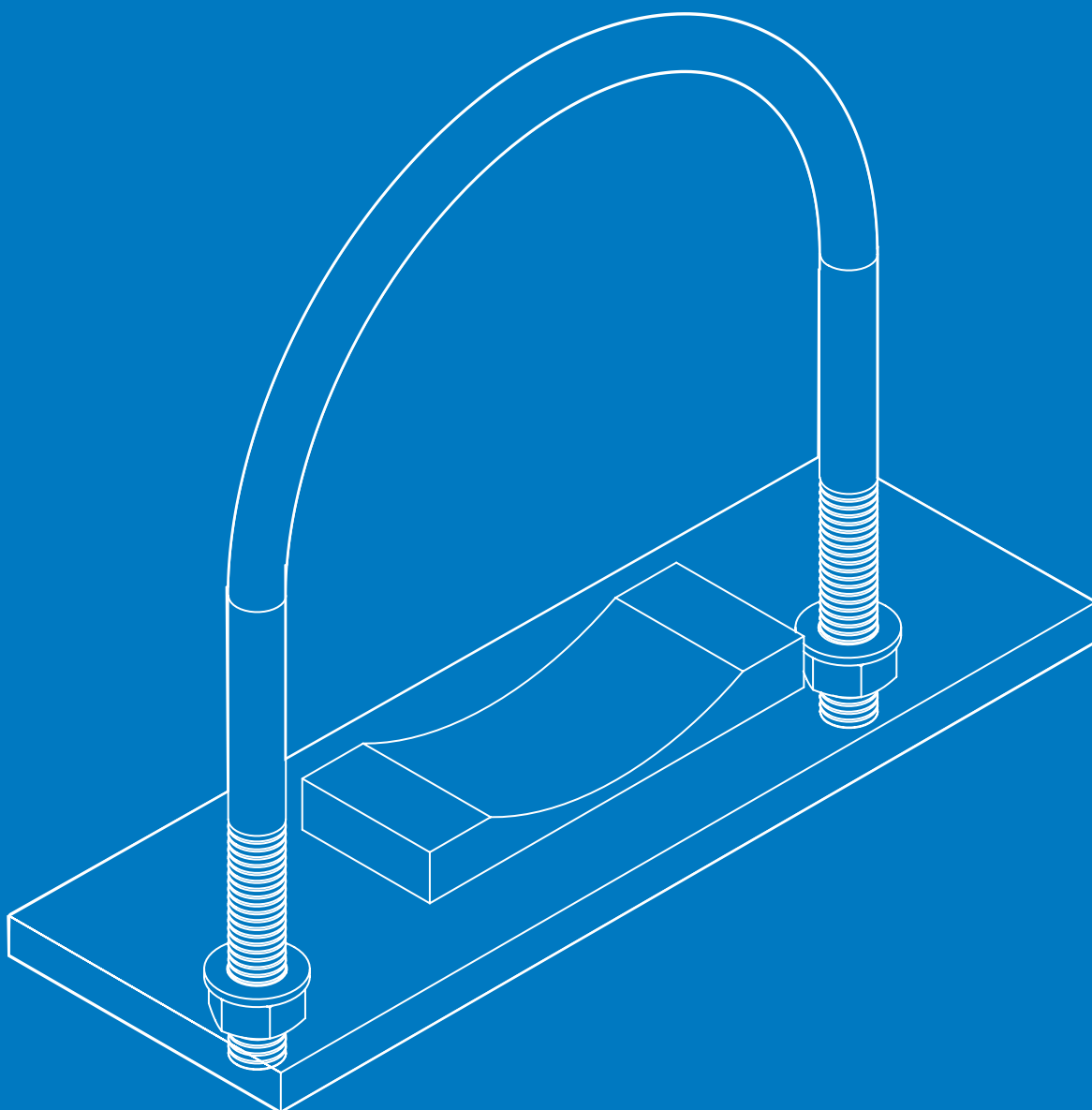
Zinc plated nut M30
Plastic pads Polypropylene

Elongated plate PL inserts on request
Carbon steel St430

Code Pl.EFFE.CI.	O.D. of pipe ØD1	L1	L2	L3	L4	H1	H2	H3	H4	B1	B2	B3	ØD2	Steel brace	L5	Nut	Number of nuts	Number of plastic pads	
SSP10 SSP10 CD SSP10 PL SSP10 PL CD	116-220	405	300	565	460	210	210	60	90	140	290	150	31	M30x420	120	M30	6	4	
																		12 for CD	8 for CD
SSP20 SSP20 CD SSP20 PL SSP20 PL CD	221-275	440	334	600	494	220	220	60	90	140	290	150	31	M30x450	150			6	4
																		12 for CD	8 for CD
SSP30 SSP30 CD SSP30 PL SSP30 PL CD	276-325	460	375	620	535	245	245	60	90	140	290	150	31	M30x510	198			6	4
																		12 for CD	8 for CD
SSP40 SSP40 CD SSP40 PL SSP40 PL CD	326-370	500	420	660	580	270	270	60	90	140	290	150	31	M30x550	150			6	4
																		12 for CD	8 for CD
SSP50 SSP50 CD SSP50 PL SSP50 PL CD	371-425	560	475	720	635	300	300	60	90	140	290	150	31	M30x620	198			6	4
																		12 for CD	8 for CD
SSP60 SSP60 CD SSP60 PL SSP60 PL CD	426-480	620	535	800	735	325	325	60	90	140	290	150	31	M30x680	180			6	4
																		12 for CD	8 for CD
SSP70 SSP70 CD SSP70 PL SSP70 PL CD	481-550	700	605	880	805	360	360	60	90	140	290	150	31	M30x730	198		6	4	
																	12 for CD	8 for CD	
SSP80 SSP80 CD SSP80 PL SSP80 PL CD	551-630	760	670	940	870	410	410	60	90	140	290	150	31	M30x800	198		6	4	
																	12 for CD	8 for CD	
SSP90 SSP90 CD SSP90 PL SSP90 PL CD	631-715	845	755	1025	955	452	452	60	90	140	290	150	31	M30x884	280		6	4	
																	12 for CD	8 for CD	
SSP100 SSP100 CD SSP100 PL SSP100 PL CD	716-800	940	850	1120	1050	495	495	60	90	140	290	150	31	M30x970	170		6	4	
																	12 for CD	8 for CD	

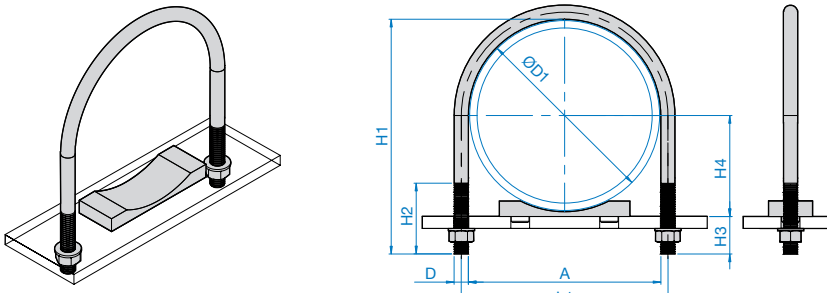
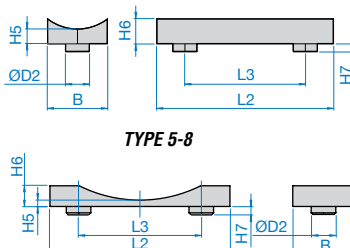
U-BOLT Clamps

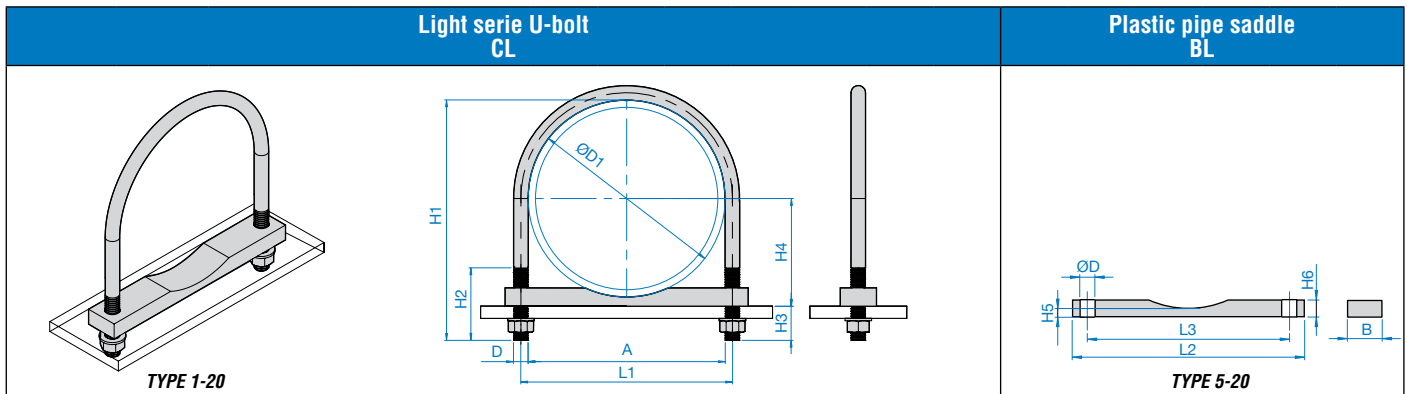
- **Light** U-bolt clamp p 66
- **Medium** U-bolt clamp p 68
- **Heavy** U-bolt clamp p 70
- Round steel U-bolt clamp according to **DIN 3570** p 72



LIGHT SERIES U-BOLT

Type BC

Light series U-bolt CL											Plastic pipe saddle BC										
 <p>TYPE 1-20</p>											 <p>TYPE 9-20</p>										
For material characteristics see page 78.			Carbon steel St430 code CL Stainless steel AISI 304L code XCL								Plastic pipe saddle BC Material PP-PA										
Code PI.EFFE.CI.	O.D. of Pipe ØD1		U-bolts with 2 nuts and 2 washers. The U-bolts finish CRAPAL with flanged nuts DIN 6923 Dacromet.								Plastic pipe saddle on demand.										
	in mm	nominal bore pipe in inch	Material and surface finishing	A	L1	H1	H2	H3	H4	D	L2	L3	B	H5	H6	H7	ØD2				
CL 01 CZF 01 XCL 01	10	1/8"	St430 Zinc plated St430 Crapal AISI 304L washed	11	17	31	19	20	5	M6	---										
CL 02 CZF 02 XCL 02	13,5	1/4"	St430 Zinc plated St430 Crapal AISI 304L washed	14	20	34		19,2	6,8		---										
CL 03 CZF 03 XCL 03	17,2	3/8"	St430 Zinc plated St430 Crapal AISI 304L washed	18	24	37		18,4	8,6		---										
CL 04 CZF 04 XCL 04	21,3	1/2"	St430 Zinc plated St430 Crapal AISI 304L washed	22	28	43	25	20,4	10,6	M6	---										
CL 05 CZF 05 XCL 05	26,9	3/4"	St430 Zinc plated St430 Crapal AISI 304L washed	27	33	47		14,5	18,5		---										
CL 06 CZF 06 XCL 06	33,7	1"	St430 Zinc plated St430 Crapal AISI 304L washed	34	40	55		15,2	21,8		35	25	24	5	8	5	8				
CL 07 CZF 07 XCL 07	42,4	1.1/4"	St430 Zinc plated St430 Crapal AISI 304L washed	43	49	63	15	26	---												
CL 08 CZF 08 XCL 08	48,3	1.1/2"	St430 Zinc plated St430 Crapal AISI 304L washed	49	57	73	18,8	29,2	---												
CL 09 CZF 09 XCL 09	60,3	2"	St430 Zinc plated St430 Crapal AISI 304L washed	61	69	85	30	18,8	35,2	M8	38	50	10	6	10						
CL 10 CZF 10 XCL 10	76,1	2.1/2"	St430 Zinc plated St430 Crapal AISI 304L washed	77	85	101		19	43							---					
CL 11 CZF 11 XCL 11	88,9	3"	St430 Zinc plated St430 Crapal AISI 304L washed	89	97	113		15,5	52,5							---					
CL 12 CZF 12 XCL 12	102	3.1/2"	St430 Zinc plated St430 Crapal AISI 304L washed	102	110	130	35	19	59	M10 M8 M10 M8	75	40 (40,5 PA)	70	17	15						
CL 13 CZF 13 XCL 13	114,3	4"	St430 Zinc plated St430 Crapal AISI 304L washed	115	123	142		18,8	65,2							---					
CL 14 CZF 14 XCL 14	139,7	5"	St430 Zinc plated St430 Crapal AISI 304L washed	140	148	169		20,2	77,8							---					
CL 15 CZF 15 XCL 15	168	6"	St430 Zinc plated St430 Crapal AISI 304L washed	168	178	202	45	26	92	M10	140	90 (91 PA)	8	26	10						
CL 16 CZF 16 XCL 16	219	8"	St430 Zinc plated St430 Crapal AISI 304L washed	220	230	254		26,5	117,5							---					
CL 17 CZF 17 XCL 17	273	10"	St430 Zinc plated St430 Crapal AISI 304L washed	274	284	308		26,5	144,5							---					
CL 18	324	12"	St430 Zinc plated	324	340	368	60	36	170	M16	220	150 (152 PA)	32	30							
CL 19	356	14"	St430 Zinc plated	356	372	400		36	186						---						
CL 20	406,4	16"	St430 Zinc plated	408	424	452		37	211						---						



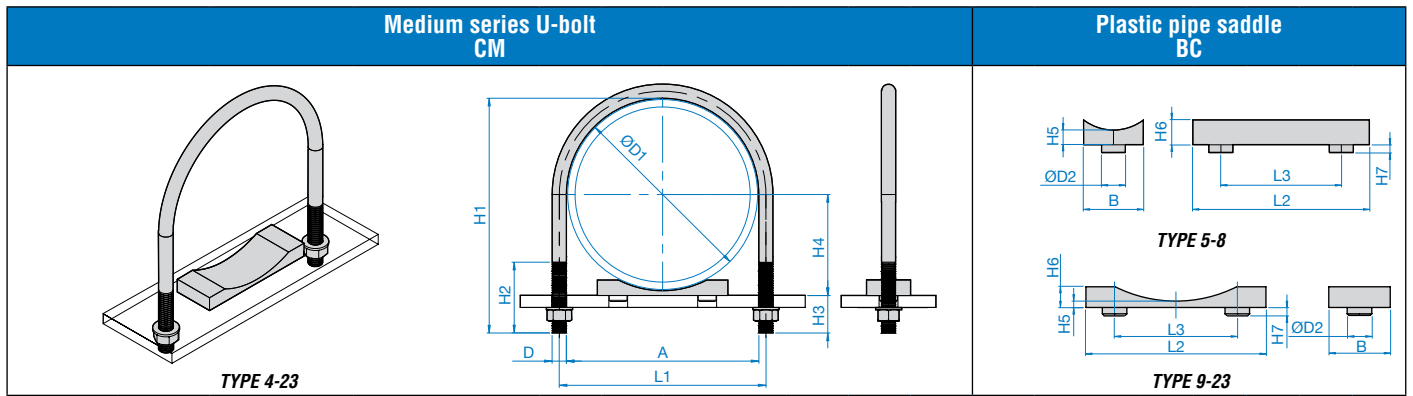
TYPE 1-20 **TYPE 5-20**

For material characteristics see page 78. Carbon steel St430 code CL Stainless steel AISI 304L code XCL Plastic pipe saddle BL Material PP-PA

Code PI.EFFE.CI.	O.D. of Pipe ØD1		Material and surface finishing	U-bolts with 2 nuts and 2 washers. The U-bolts finish CRAPAL with flanged nuts DIN 6923 Dacromet.							D	Plastic pipe saddle on demand.											
	in mm	nominal bore pipe in inch		A	L1	H1	H2	H3	H4	L2		L3	B	H5	H6	ØD							
CL 01 CZF 01 XCL 01	10	1/8"	St430 Zinc plated	11	17	31	19	20	5	M6	---												
St430 Crapal			29								16	18	---										
AISI 304L washed													---										
CL 02 CZF 02 XCL 02	13,5	1/4"	St430 Zinc plated	14	20	34	19	19,2	6,8		---												
St430 Crapal			32								16	17,2	---										
AISI 304L washed													---										
CL 03 CZF 03 XCL 03	17,2	3/8"	St430 Zinc plated	18	24	37	19	18,4	8,6		---												
St430 Crapal			36								16	17,4	---										
AISI 304L washed													---										
CL 04 CZF 04 XCL 04	21,3	1/2"	St430 Zinc plated	22	28	43	25	20,4	10,6		---												
St430 Crapal			40								18	17,4	---										
AISI 304L washed													---										
CL 05 CZF 05 XCL 05	26,9	3/4"	St430 Zinc plated	27	33	47	25	14,5	18,5	M8	70	37	30	12	11								
St430 Crapal			45													18	12,5	---					
AISI 304L washed											---												
CL 06 CZF 06 XCL 06	33,7	1"	St430 Zinc plated	34	40	55	25	15,2	21,8		75	43				---							
St430 Crapal			52													18	12,2	---					
AISI 304L washed											---												
CL 07 CZF 07 XCL 07	42,4	1.1/4"	St430 Zinc plated	43	49	63	25	15	26		M8	75	52	5	15	13							
St430 Crapal			61														18	13	---				
AISI 304L washed												---											
CL 08 CZF 08 XCL 08	48,3	1.1/2"	St430 Zinc plated	49	57	73	30	18,8	29,2			95	60				---						
St430 Crapal			70														28	15,8	---				
AISI 304L washed												---											
CL 09 CZF 09 XCL 09	60,3	2"	St430 Zinc plated	61	69	85	30	18,8	35,2	M8		95	72	35	15	13							
St430 Crapal			82														28	15,8	---				
AISI 304L washed												---											
CL 10 CZF 10 XCL 10	76,1	2.1/2"	St430 Zinc plated	77	85	101	30	19	43			115	88				---						
St430 Crapal			98														28	16	---				
AISI 304L washed												---											
CL 11 CZF 11 XCL 11	88,9	3"	St430 Zinc plated	89	97	113	30	18,5	49,5		M8	135	100	---									
St430 Crapal			110											28	15,5	---							
AISI 304L washed												---											
CL 12 CZF 12 XCL 12	102	3.1/2"	St430 Zinc plated	102	110	130	35	17	61			150	117	---									
St430 Crapal			127											14	---								
AISI 304L washed												---											
CL 13 CZF 13 XCL 13	114,3	4"	St430 Zinc plated	115	123	142	35	16,8	67,2	M10		185	131	40	20	18							
St430 Crapal			123														139	13,8	---				
AISI 304L washed												---											
CL 14 CZF 14 XCL 14	139,7	5"	St430 Zinc plated	140	148	169	35	18,2	79,8			210	154,5				---						
St430 Crapal			148														165	14,2	---				
AISI 304L washed												---											
CL 15 CZF 15 XCL 15	168	6"	St430 Zinc plated	168	178	202	45	24	94		M10	220	182	50	25	22							
St430 Crapal			196														18	18,5	119,5	---			
AISI 304L washed												---											
CL 16 CZF 16 XCL 16	219,1	8"	St430 Zinc plated	220	230	254	45	24,5	119,5			280	240				---						
St430 Crapal			248														18,5	146,5	---				
AISI 304L washed												---											
CL 17 CZF 17 XCL 17	273	10"	St430 Zinc plated	274	284	308	45	24,5	146,5	M10		350	294	60	15	30							
St430 Crapal			302														18,5	218	---				
AISI 304L washed												---											
CL 18	324	12"	St430 Zinc plated	324	340	368	45	29	177			M16	420				348	60	15	30			
CL 19	356	14"	St430 Zinc plated	356	372	400	45	29	193				460				380						
CL 20	406,4	16"	St430 Zinc plated	408	424	452	45	30	218				510				432						

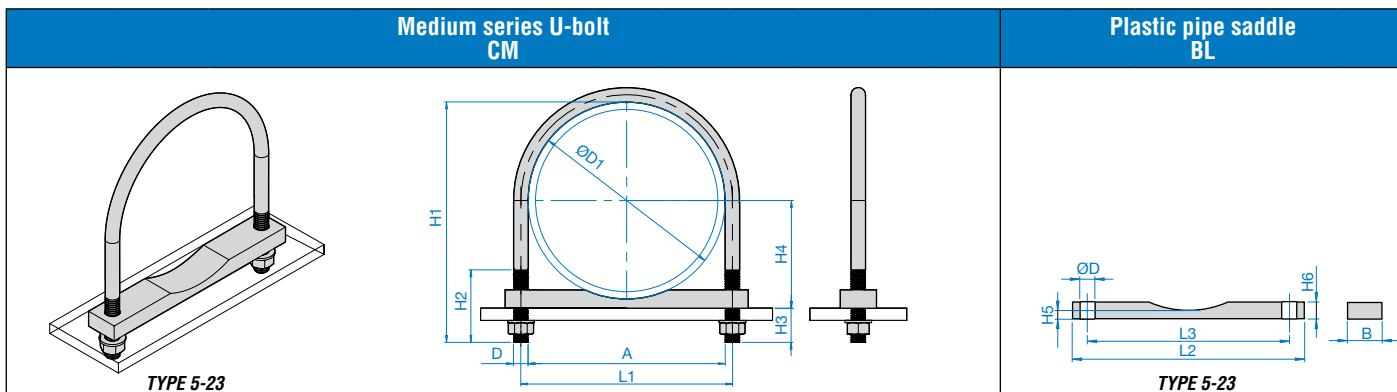
MEDIUM SERIES U-BOLT

Type BC



For material characteristics see page 78. **Carbon steel St430 code CM**
Stainless steel AISI 304L code XCM **Plastic pipe saddle BC**
Material PP-PA

Code P.I.EFFE.CI.	O.D. of Pipe ØD1		Material and surface finishing	U-bolts with 2 nuts and 2 washers.							D	Plastic pipe saddle on demand.												
	in mm	nominal bore pipe in inch		A	L1	H1	H2	H3	H4	L2		L3	B	H5	H6	H7	ØD2							
CM 04 XCM 04	21,3	1/2"	St430 Zinc plated	22	30	52	30	29,4	10,6	M8	35	25	24	5	8	5	8							
			AISI 316L washed			48	25	25,4										---						
CM 05 XCM 05	26,9	3/4"	St430 Zinc plated	27	35	56	30	23,5	18,5															
			AISI 316L washed			52	25	19,5																
CM 06 XCM 06	33,7	1"	St430 Zinc plated	34	42	64	30	24,2	21,8															
			AISI 316L washed			60	25	20,2																
CM 07 XCM 07	42,4	1.1/4"	St430 Zinc plated	43	51	72	30	23,8	26,2															
			AISI 316L washed			68	25	19,8																
CM 08 XCM 08	48,3	1.1/2"	St430 Zinc plated	49	59	82	40	27,8	29,2															
			AISI 316L washed			78	36	23,8																
CM 09 XCM 09	60,3	2"	St430 Zinc plated	61	71	94	40	27,8	35,2															
			AISI 316L washed			90	36	23,8																
CM 10 XCM 10	76,1	2.1/2"	St430 Zinc plated	77	87	110	40	28	43															
			AISI 316L washed			106	36	24																
CM 11 XCM 11	88,9	3"	St430 Zinc plated	89	99	122	40	27,5	49,5															
			AISI 316L washed			118	36	23,5																
CM 12	102	3.1/2"	St430 Zinc plated	102	114	142	50	35	56									M12	75	40 (40,5 PA)	70	17	10	15
CM 13	114,3	4"	St430 Zinc plated	115	127	156	50	35,8	62,2															
CM 14	139,7	5"	St430 Zinc plated	140	152	180	50	35,2	74,8															
CM 15	168	6"	St430 Zinc plated	168	180	208	50	35	89									M16	140	90 (91 PA)	8	26	10	25
CM 16	219	8"	St430 Zinc plated	220	236	267	60	42,5	114,5															
CM 17	273	10"	St430 Zinc plated	274	290	321		70	42,5									141,5	M20	220	150 (152 PA)	75	32	30
CM 18	324	12"	St430 Zinc plated	324	344	379	46		170															
CM 19	356	14"	St430 Zinc plated	356	376	411	46		186															
CM 20	406,4	16"	St430 Zinc plated	408	428	463	46,8		211,2															
CM 21	457,2	18"	St430 Zinc plated	460	480	515	47,4		236,6															
CM 22	508	20"	St430 Zinc plated	510	530	565	47		262															
CM 23	609,6	24"	St430 Zinc plated	612	632	667	47,2		312,8															



TYPE 5-23

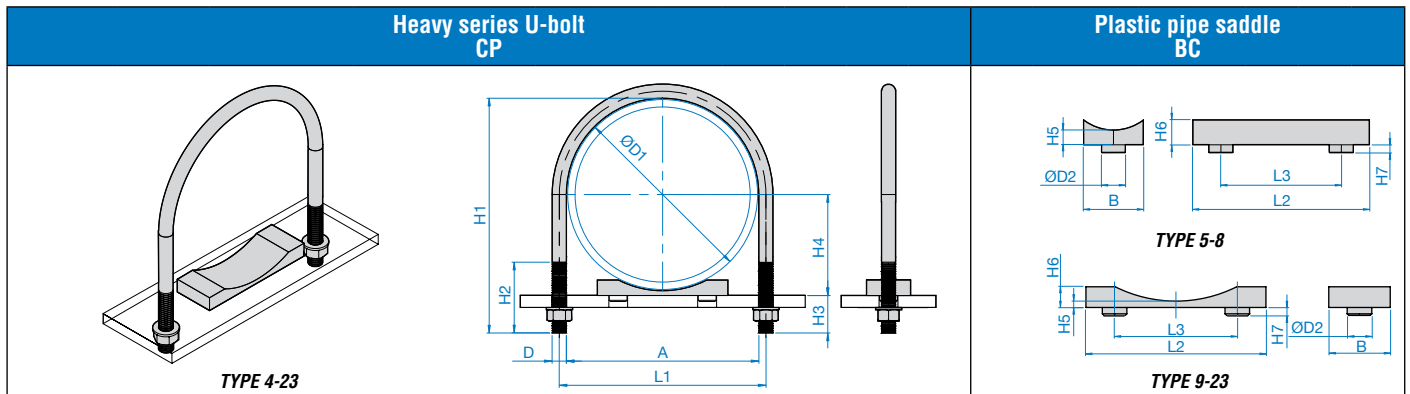
TYPE 5-23

For material characteristics see page 78. Carbon steel St430 code CM Stainless steel AISI 304L code XCM Plastic pipe saddle BL Material PP-PA

Code PI.EFFE.CI.	O.D. of Pipe ØD1		Material and surface finishing	U-bolts with 2 nuts and 2 washers.							D	Plastic pipe saddle on demand.					
	in mm	nominal bore pipe in inch		A	L1	H1	H2	H3	H4	L2		L3	B	H5	H6	ØD	
CM 04 XCM 04	21,3	1/2"	St430 Zinc plated	22	30	52	30	29,4	10,6	M8	---						
			AISI 316L washed			48	25	25,4									
CM 05 XCM 05	26,9	3/4"	St430 Zinc plated	27	35	56	30	23,5	18,5		70	37	30	12	11		
			AISI 316L washed			52	25	19,5									
CM 06 XCM 06	33,7	1"	St430 Zinc plated	34	42	64	30	24,2	21,8								
			AISI 316L washed			60	25	20,2									
CM 07 XCM 07	42,4	1.1/4"	St430 Zinc plated	43	51	72	30	24	26								
			AISI 316L washed			68	25	20									
CM 08 XCM 08	48,3	1.1/2"	St430 Zinc plated	49	59	82	40	27,8	29,2		95	60	35	5	15	13	
			AISI 316L washed			78	36	23,8									
CM 09 XCM 09	60,3	2"	St430 Zinc plated	61	71	94	40	27,8	35,2								
			AISI 316L washed			90	36	23,8									
CM 10 XCM 10	76,1	2.1/2"	St430 Zinc plated	77	87	110	40	28	43								
			AISI 316L washed			106	36	24									
CM 11 XCM 11	88,9	3"	St430 Zinc plated	89	99	122	40	27,5	49,5								
			AISI 316L washed			118	36	23,5									
CM 12	102	3.1/2"	St430 Zinc plated	102	114	142	50	30	61	M12	150	117	40	10	20	18	
CM 13	114,3	4"	St430 Zinc plated	115	127	156	50	30,8	67,2								
CM 14	139,7	5"	St430 Zinc plated	140	152	180	50	30,2	79,8								
CM 15	168	6"	St430 Zinc plated	168	180	208	50	30	94								
CM 16	219	8"	St430 Zinc plated	220	236	267	60	37,5	119,5	M16	280	240	50	25	22		
CM 17	273	10"	St430 Zinc plated	274	290	321		37,5	146,5								
CM 18	324	12"	St430 Zinc plated	324	344	379	70	39	177	M20	420	348	60	15	30	26	
CM 19	356	14"	St430 Zinc plated	356	372	411		39	193								
CM 20	406,4	16"	St430 Zinc plated	408	428	463		39,8	218,2								
CM 21	457,2	18"	St430 Zinc plated	460	480	515		40,4	243,6								
CM 22	508	20"	St430 Zinc plated	510	530	565		40	269								
CM 23	609,6	24"	St430 Zinc plated	612	632	667		40,2	319,8								

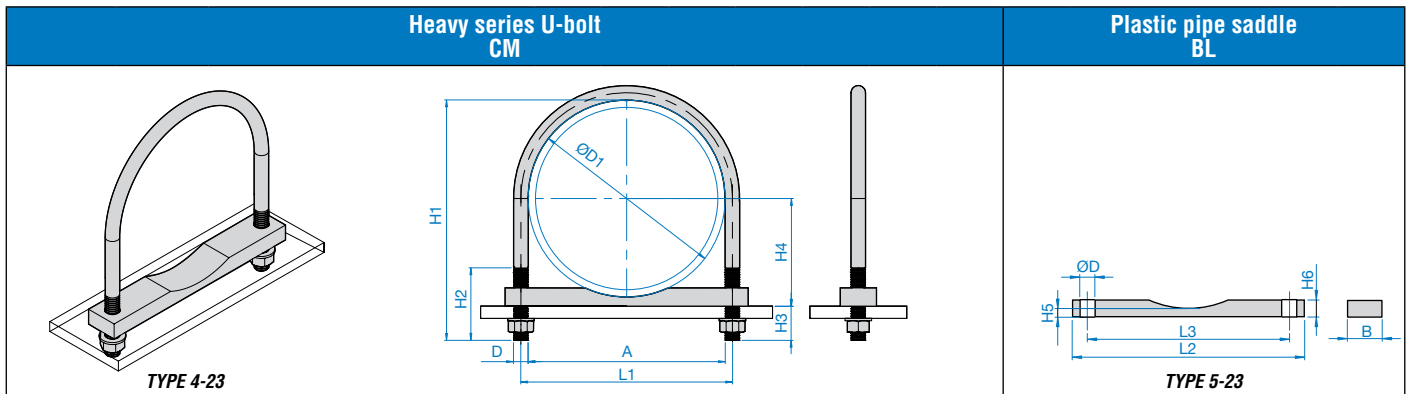
HEAVY SERIES U-BOLT

Type BC



For material characteristics see page 78. Carbon steel St430 code CP Stainless steel AISI 304L code XCP Plastic pipe saddle BC Material PP-PA

Code PI.EFFE.CI.	O.D. of Pipe ØD1		Material and surface finishing	U-bolts with 2 nuts and 2 washers.							Plastic pipe saddle on demand.							
	in mm	nominal bore pipe in inch		A	L1	H1	H2	H3	H4	D	L2	L3	B	H5	H6	H7	ØD2	
CP 04 XCP 04	21,3	1/2"	St430 Zinc plated	22	32	60	40	38,3	10,7	M10	---	---	---	---	---	---	---	
			AISI 304L washed															30
CP 05 XCP 05	26,9	3/4"	St430 Zinc plated	27	37	66	40	33,5	18,5	M10	35	24	8	5	8	25	5	---
			AISI 304L washed															
CP 06 XCP 06	33,7	1"	St430 Zinc plated	34	44	72	40	33,2	21,8	M10	35	24	8	5	8	25	5	---
			AISI 304L washed															
CP 07 XCP 07	42,4	1.1/4"	St430 Zinc plated	43	53	82	40	33,8	26,2	M10	35	24	8	5	8	25	5	---
			AISI 304L washed															
CP 08 XCP 08	48,3	1.1/2"	St430 Zinc plated	49	61	100	60	45,8	29,2	M12	35	24	8	5	8	25	5	---
			AISI 304L washed															
CP 09 XCP 09	60,3	2"	St430 Zinc plated	61	73	112	60	45,8	35,2	M12	38	24	8	5	8	25	5	---
			AISI 304L washed															
CP 10 XCP 10	76,1	2.1/2"	St430 Zinc plated	77	89	128	60	46	43	M12	38	24	8	5	8	25	5	---
			AISI 304L washed															
CP 11 XCP 11	88,9	3"	St430 Zinc plated	89	101	140	60	45,5	49,5	M12	75	40 (40,5 PA)	70	17	15	25	5	---
			AISI 304L washed															
CP 12 XCP 12	102	3.1/2"	St430 Zinc plated	102	118	159	70	52	56	M16	75	40 (40,5 PA)	70	17	15	25	5	---
			AISI 304L washed															
CP 13 XCP 13	114,3	4"	St430 Zinc plated	115	131	173	70	52,8	62,2	M16	75	40 (40,5 PA)	70	17	15	25	5	---
			AISI 304L washed															
CP 14 XCP 14	139,7	5"	St430 Zinc plated	140	156	197	70	52,2	74,8	M16	75	40 (40,5 PA)	70	17	15	25	5	---
			AISI 304L washed															
CP 15	168	6"	St430 Zinc plated	168	184	225	70	52	89	M16	140	90 (91 PA)	70	8	10	25	5	---
CP 16	219	8"	St430 Zinc plated	220	240	285	80	59,5	114,5	M20	140	90 (91 PA)	70	8	10	25	5	---
CP 17	273	10"	St430 Zinc plated	274	294	339	90	59,5	141,5	M20	140	90 (91 PA)	70	8	10	25	5	---
CP 18	324	12"	St430 Zinc plated	324	348	396	90	63	170	M24	220	150 (152 PA)	75	32	30	5	---	
CP 19	356	14"	St430 Zinc plated	356	380	428	90	63	186	M24	220	150 (152 PA)	75	32	30	5	---	
CP 20	406,4	16"	St430 Zinc plated	408	432	480	90	63,8	211,2	M24	220	150 (152 PA)	75	32	30	5	---	
CP 21	457,2	18"	St430 Zinc plated	460	484	532	90	64,4	236,6	M24	220	150 (152 PA)	75	32	30	5	---	
CP 22	508	20"	St430 Zinc plated	510	534	582	90	64	262	M24	220	150 (152 PA)	75	32	30	5	---	
CP 23	609,6	24"	St430 Zinc plated	612	636	684	90	64,2	312,8	M24	220	150 (152 PA)	75	32	30	5	---	



TYPE 4-23

TYPE 5-23

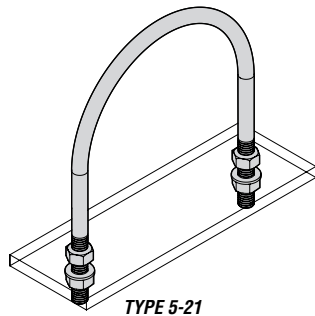
For material characteristics see page 78. Carbon steel St430 code CP Stainless steel AISI 304L code XCP Plastic pipe saddle BL Material PP-PA

Code PI.EFFE.CI.	O.D. of Pipe ØD1		Material and surface finishing	U-bolts with 2 nuts and 2 washers.							Plastic pipe saddle on demand.						
	in mm	nominal bore pipe in inch		A	L1	H1	H2	H3	H4	D	L2	L3	B	H5	H6	ØD	
CP 04 XCP 04	21,3	1/2"	St430 Zinc plated	22	32	60	40	38,3	10,7	M10	---						
			AISI 304L washed								30	48	25	25,3	M8		
CP 05 XCP 05	26,9	3/4"	St430 Zinc plated	27	37	66	40	33,5	18,5	M10	70	37	30	12	11		
			AISI 304L washed													35	52
CP 06 XCP 06	33,7	1"	St430 Zinc plated	34	44	72	40	33,2	21,8	M10	75	43	30	12	11		
			AISI 304L washed													42	60
CP 07 XCP 07	42,4	1.1/4"	St430 Zinc plated	43	53	82	40	33,8	26,2	M10	75	52	30	12	11		
			AISI 304L washed													51	68
CP 08 XCP 08	48,3	1.1/2"	St430 Zinc plated	49	61	100	60	45,8	29,2	M12	95	60	35	5	15		
			AISI 304L washed													59	78
CP 09 XCP 09	60,3	2"	St430 Zinc plated	61	73	112	60	45,8	35,2	M12	95	72	35	15	13		
			AISI 304L washed													71	90
CP 10 XCP 10	76,1	2.1/2"	St430 Zinc plated	77	89	128	60	46	43	M12	115	88	35	15	13		
			AISI 304L washed													87	106
CP 11 XCP 11	88,9	3"	St430 Zinc plated	89	101	140	60	45,5	49,5	M12	135	100	35	15	13		
			AISI 304L washed													99	118
CP 12 XCP 12	102	3.1/2"	St430 Zinc plated	102	118	159	70	47	61	M16	150	117	35	15	13		
			AISI 304L washed													114	137
CP 13 XCP 13	114,3	4"	St430 Zinc plated	115	131	173	70	47,8	67,2	M16	185	131	40	20	18		
			AISI 304L washed													127	151
CP 14 XCP 14	139,7	5"	St430 Zinc plated	140	156	197	70	47,2	79,8	M16	210	154,5	40	20	18		
			AISI 304L washed													152	175
CP 15	168	6"	St430 Zinc plated	168	184	225	70	47	94	M16	220	182	40	20	18		
CP 16	219	8"	St430 Zinc plated	220	240	285	80	54,5	119,5	M20	280	240	50	25	22		
CP 17	273	10"	St430 Zinc plated	274	294	339					54,5	146,5				350	294
CP 18	324	12"	St430 Zinc plated	324	348	396	90	56	177	M24	420	348	60	15	30		
CP 19	356	14"	St430 Zinc plated	356	380	458					56	193				460	380
CP 20	406,4	16"	St430 Zinc plated	408	432	480					56,8	218,2				510	432
CP 21	457,2	18"	St430 Zinc plated	460	484	532					57,4	243,6				550	484
CP 22	508	20"	St430 Zinc plated	510	534	582					57	269				600	534
CP 23	609,6	24"	St430 Zinc plated	612	636	684	57,2	319,8	700	636							

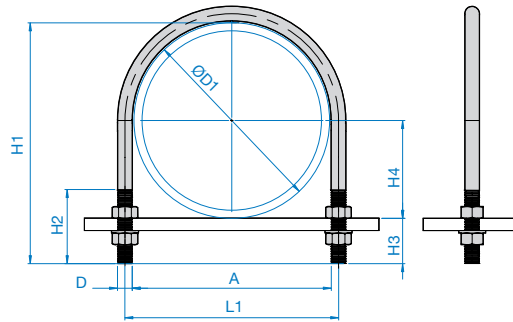
ROUND STEEL U-BOLT ACCORDING TO DIN3570

Order Codes and Dimensions

U-bolt DIN
CD



TYPE 5-21



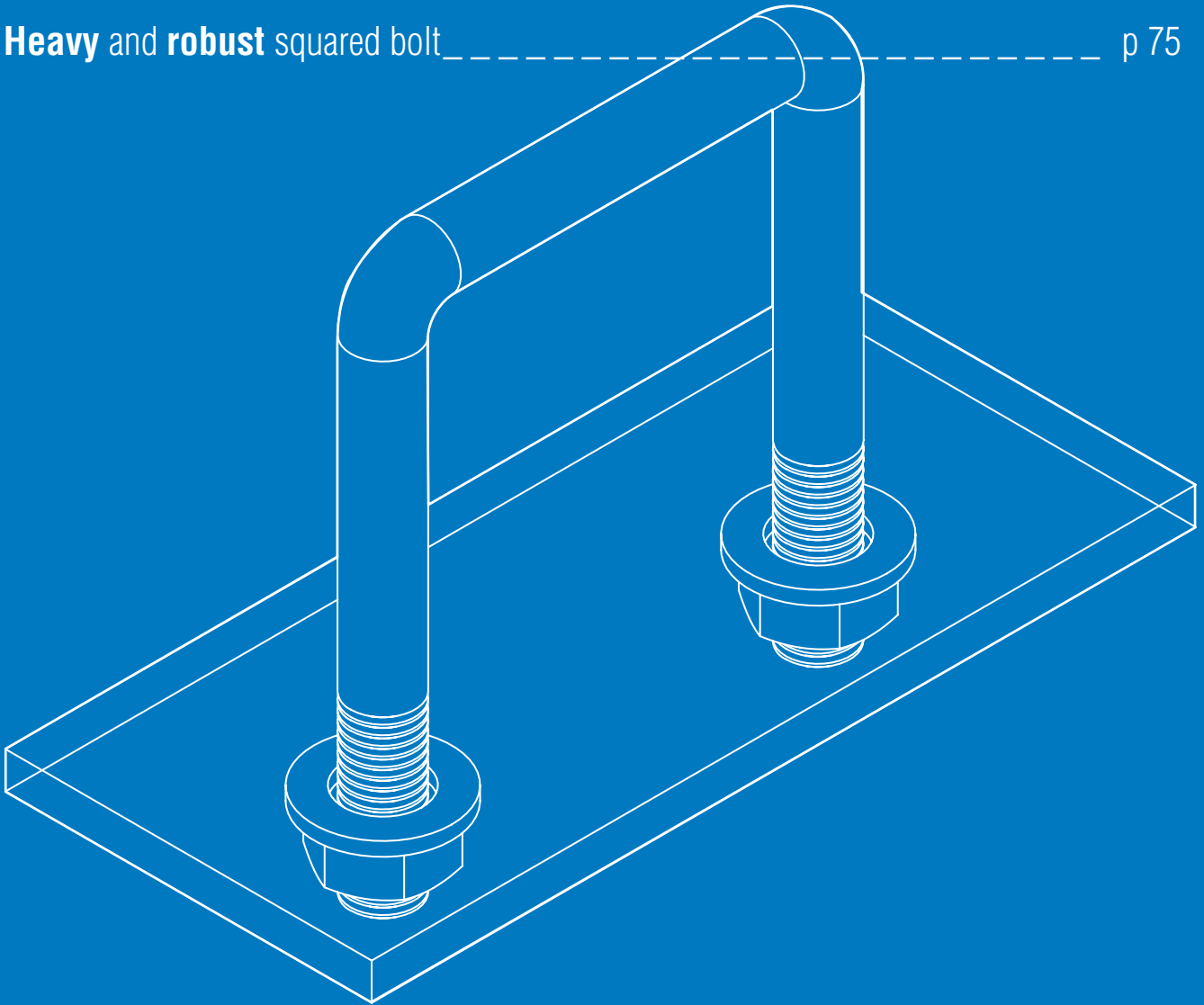
For material characteristics
see page 78.

Round steel U-bolt
Carbon steel St430 code CD

Code PI.EFFE.CI.	O.D. of Pipe ØD1		Material and surface finishing	U-bolts with 4 nuts and 2 washers.						
	in mm	nominal bore pipe in inch		A	L1	H1	H2	H3	H4	D
CD 05	26,9	3/4"	St430 Zinc plated	30	40	60	40	33,1	13,5	M10
CD 06	33,7	1"	St430 Zinc plated	38	48	66		32,3	16,9	
CD 07	42,4	1.1/4"	St430 Zinc plated	46	56	76		33,6	21,2	
CD 08	48,3	1.1/2"	St430 Zinc plated	52	62	82	50	33,7	24,2	M12
CD 09	60,3	2"	St430 Zinc plated	64	76	97		36,7	35,2	
CD 10	76,1	2.1/2"	St430 Zinc plated	82	94	113		36,9	30,2	
CD 11	88,9	3"	St430 Zinc plated	94	106	126	60	37,1	44,5	M16
CD 12	114,3	4"	St430 Zinc plated	120	136	155		40,7	57,2	
CD 13	139,7	5"	St430 Zinc plated	148	164	175		35,3	69,9	
CD 14	168,3	6"	St430 Zinc plated	176	192	201	70	32,7	84,2	M20
CD 15	193,7	7"	St430 Zinc plated	202	218	233		39,3	96,9	
CD 16	219,1	8"	St430 Zinc plated	228	248	263		43,9	109,6	
CD 17	273	10"	St430 Zinc plated	282	302	314	70	41	136,5	M24
CD 18	324	12"	St430 Zinc plated	332	352	365		41	162	
CD 19	356	14"	St430 Zinc plated	378	402	411		55	178	
CD 20	406,4	16"	St430 Zinc plated	428	452	463	70	56,6	203,2	M24
CD 21	508	20"	St430 Zinc plated	530	554	565		57	254	

SQUARED U-Bolts

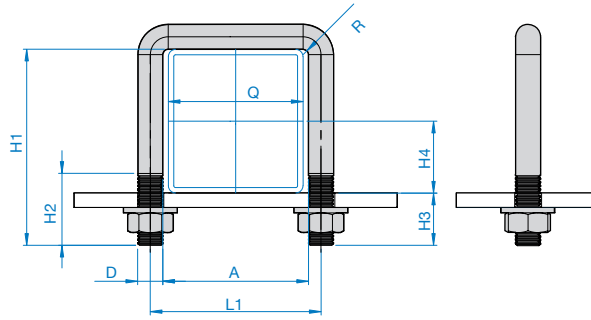
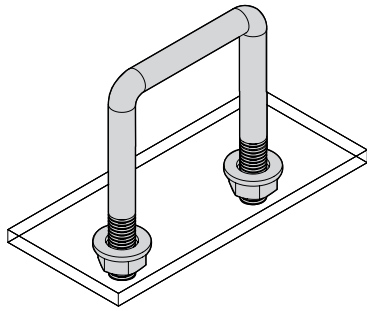
- **Light** and **medium** squared bolt p 74
- **Heavy** and **robust** squared bolt p 75



LIGHT AND MEDIUM SQUARED U-BOLT

Order Codes and Dimensions

Squared U-bolt
CQ



For material characteristics see page 78.

Light series
Carbon steel St430 zinc plated code CQL

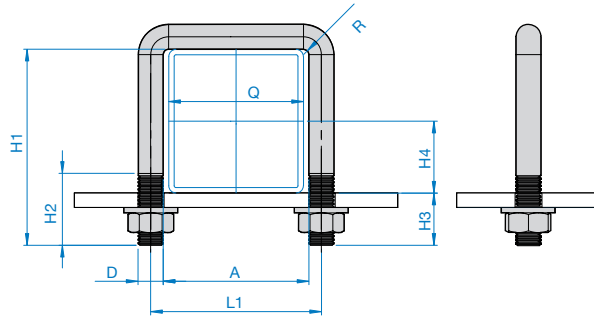
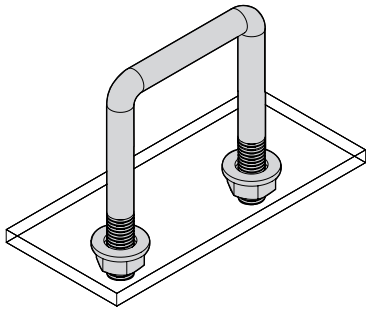
Code PI.EFFE.CI.	O.D. of Pipe Q	On request nuts and washers								
	in mm	Material and surface finishing	A	L1	H1	H2	H3	H4	R	D
CQL 03	30x30	St430 Zinc plated	31	39	50	25	20	15	4	M8
CQL 04	40x40	St430 Zinc plated	41	49	60			20		
CQL 05	50x50	St430 Zinc plated	51	59	70			25		
CQL 06	60x60	St430 Zinc plated	61	71	82	30	22	30	5	M10
CQL 07	70x70	St430 Zinc plated	71	81	92			35		
CQL 08	80x80	St430 Zinc plated	81	91	102			40		
CQL 09	90x90	St430 Zinc plated	91	101	112			45		
CQL 10	100x100	St430 Zinc plated	101	111	122			50		

For material characteristics see page 78.

Medium series
Carbon steel St430 zinc plated code CQM

Code PI.EFFE.CI.	O.D. of Pipe Q	On request nuts and washers								
	in mm	Material and surface finishing	A	L1	H1	H2	H3	H4	R	D
CQM 03	30x30	St430 Zinc plated	31	41	52	30	22	15	5	M10
CQM 04	40x40	St430 Zinc plated	41	51	62			20		
CQM 05	50x50	St430 Zinc plated	51	61	72			25		
CQM 06	60x60	St430 Zinc plated	61	73	86	35	26	30	6	M12
CQM 07	70x70	St430 Zinc plated	71	83	96			35		
CQM 08	80x80	St430 Zinc plated	81	93	106			40		
CQM 09	90x90	St430 Zinc plated	91	103	116			45		
CQM 10	100x100	St430 Zinc plated	101	113	126			50		

Squared U-bolt CQ



For material characteristics see page 78.

Heavy series
Carbon steel St430 zinc plated code CQP

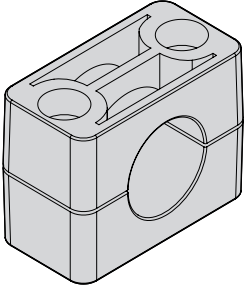
Code PI.EFFE.CI.	O.D. of Pipe Q	On request nuts and washers								
	in mm	Material and surface finishing	A	L1	H1	H2	H3	H4	R	D
CQP 03	30x30	St430 Zinc plated	31	43	56	35	26	15	6	M12
CQP 04	40x40	St430 Zinc plated	41	53	66			20		
CQP 05	50x50	St430 Zinc plated	51	63	76			25		
CQP 06	60x60	St430 Zinc plated	61	75	90	40	30	30	7	M14
CQP 07	70x70	St430 Zinc plated	71	85	100			35		
CQP 08	80x80	St430 Zinc plated	81	95	110			40		
CQP 09	90x90	St430 Zinc plated	91	105	120			45		
CQP 10	100x100	St430 Zinc plated	101	115	130			50		

For material characteristics see page 78.

Robust series
Carbon steel St430 zinc plated code CQR

Code PI.EFFE.CI.	O.D. of Pipe Q	On request nuts and washers								
	in mm	Material and surface finishing	A	L1	H1	H2	H3	H4	R	D
CQR 06	60x60	St430 Zinc plated	61	77	94	50	34	30	8	M16
CQR 07	70x70	St430 Zinc plated	71	87	104			35		
CQR 08	80x80	St430 Zinc plated	81	97	114			40		
CQR 09	90x90	St430 Zinc plated	91	107	124			45		
CQR 10	100x100	St430 Zinc plated	101	117	134			50		
CQR 11	110x110	St430 Zinc plated	111	127	144			55		
CQR 12	120x120	St430 Zinc plated	121	137	154			60		

MATERIAL Characteristics

CLAMP BODY		MATERIAL			
		PP	PA	GM	AL
		POLYPROPYLENE Copolymeric	POLYAMIDE	RUBBER Elastomer	ALUMINIUM
COLOURE		BLUE	BLACK	BLACK	NATURAL
MECHANICAL CHARACTERISTICS	TEST METHOD				
Tensile modulus	ISO 527	Mpa 1.300	Mpa 8.500	--	--
Load in bending at break	ISO 178	--	Mpa 190	--	--
Elongation at break	ISO 527	6%	3%	600%	1%
Tensile strain at break	ISO 527	Mpa 25	Mpa 145	Mpa 9	Mpa 150
Notched Izod impact strenght	ISO 180/A	KJ/m2 10	KJ/m2 10	--	--
Notched Charpy impact strenght	ISO 179	J/cm2 1.30	KJ/m2 10	--	--
Shore hardness	ISO 868	--	--	80 A	--
THERMAL CHARACTERISTICS	TEST METHOD				
Flammability Rating	UL 94	HB	V0	UL94 HB	--
Vicat (50°C/h 9.8 N)	ISO 306	°C150	°C254	--	--
HDT (0,45 N/ mm2)	ISO 75	°C92	°C245	--	--
HDT (1,82 N/ mm2)	ISO 75	°C50	°C242	--	--
Recommended Min/Max temperature	IEC 216	-30°C + 90°C	-40°C +140° C	-40°C + 90°C	up to 300° C
UV Resistance	--	--	--	--	--
ELECTRICAL CHARACTERISTICS	TEST METHOD				
Dielectric strenght 2mm	IEC 60243	--	KV/mm 20	--	--
Comparative Tracking Index	IEC 60112	--	V 600	--	--
Volume Resistivity	DIN 53482	Ohm/m >10 ¹⁸	Ohm/m 10* ¹⁵	--	--
CHEMICAL CHARACTERISTICS	TEST METHOD				
Weak acids - Alkaline solution	--	Limited resistance	Good resistance	Good resistance	--
Benzine - Mineral oils	--	Good resistance	Good resistance	Limited resistance	--
Alcohol - Other oils - Sea water	--	Good resistance	Good resistance	Good resistance	--

MATERIAL COMPONENTS AND ACCESSORIES

STEELS

Plates: non-alloy steel for structural applications St360 (235JR) and St430 (275JR).

Accessories: in St360 (for high hexagon head bolts VA and bushing B), in Carbon Steel C20 (nut for fixing clamps to the rail) and in steel sheets for deep drawing DX 51D (standard series rail)

STAINLESS STEEL

Metal parts: in stainless steel 316L (X2CrNiMo17-12-2) 1.4404.

U-Bolts in stainless steel 304L with good corrosion resistance and stainless steel 316L (stainless marine) with excellent resistance to corrosion.

SURFACE FINISHINGS

Components and accessories: all our parts and metal accessories are treated with advanced surface treatments.

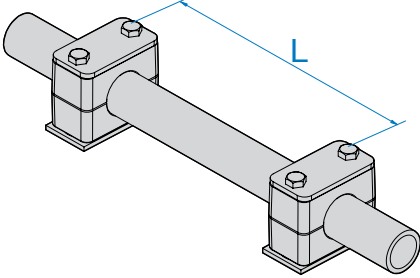
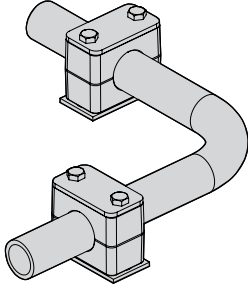
Sendzimir method: this process consists of immersing products in a bath of molten zinc (used to rail the Standard series) for zinc-plating protection;

Crapal: consists of a steel wire, coated with an alloy of 95% of zinc and 5% of aluminum, dull gray color and excellent corrosion resistance (used for U-bolts); **White Zinc plating Fe Zn c8 II:** used for all other metal products.

All protection surfaces are according to the RoHS directive.

TECHNICAL Appendix

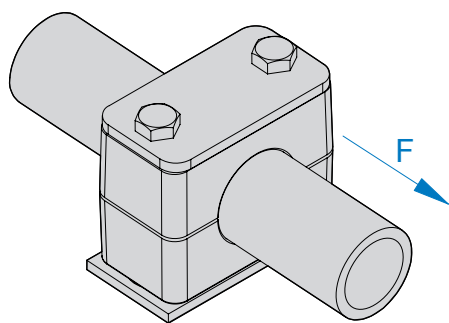
- Recommended distance between clamps _____ p 80
- Clamp installation in case of bend pipe _____ p 80
- Thread chart _____ p 80
- Property classes for bolts and screws _____ p 80
- Tightening torques and maximum loads in pipe direction _____ p 81

RECOMMENDED DISTANCE BETWEEN CLAMPS				CLAMP INSTALLATION IN CASE OF BEND PIPE	
 <p>The values of the distances of the clamps shown in the table are indicative values, reported to static loads.</p>					
Pipe outside diameter (mm)	Distance L (m)	Pipe outside diameter (mm)	Distance L (m)	<p>Bend pipes should be fixed by clamps immediately before and after the bend.</p> <p>Moreover it is recommended to design these clamps as fixed point clamps.</p> <p>Joints is recommended for applications with the use of clamps before and after the junction.</p>	
6,0 - 13,5	1,0	114,0 - 168,0	5,0		
13,5 - 18	1,2	168,0 - 219,0	6,0		
18 - 32	1,5	219,0 - 324,0	6,7		
32 - 38	2,0	324,0 - 356,0	7,0		
38 - 57,2	2,7	356,0 - 406,0	7,5		
57,2 - 75	3,0	406,0 - 480,0	8,0		
75 - 76,1	3,5	481,0 - 550,0	8,5		
76,1 - 88,9	3,7	551,0 - 630,0	9,0		
88,9 - 102,0	4,0	631,0 - 716,0	10,0		
102,0 - 114,0	4,5	716,0 - 800,0	12,0		

THREAD CHART									
Conversion table and Metric thread / UNC thread									
STANDARD SERIES			HEAVY SERIES			TWIN SERIES			
Code PI.EFFE.CI.	Metric thread	UNC thread	Code PI.EFFE.CI.	Metric thread	UNC thread	Code PI.EFFE.CI.	Metric thread	UNC thread	
C1	M6	1/4 - 20 UNC	CP1	M10	3/8 - 16 UNC	CF1	M6	1/4 - 20 UNC	
C2			CP2			CF2	M8	5/16 - 18 UNC	
C3			CP3			CF3			
C4			CP4	CF4					
C5			CP5	CF5					
C6			CP6	M20	3/4 - 10 UNC				
C7			CP7	M24	7/8 - 9 UNC				
C8			CP8	M30	11/8 - 7 UNC				
C9			CP9	M30	11/4 - 7 UNC				
			CP10						

PROPERTY CLASSES FOR BOLTS AND SCREWS			
ACCESSORIES	MATERIAL	FINISHING	CLASS
Socket cap screw	Steel	Zinc plated/Untreated	8.8
	Stainless Steel	---	A4-70
Hexagon head bolt	Steel	Zinc plated/Untreated	8.8
	Stainless Steel	---	A4-70
Safety washer	Steel	Zinc plated/Untreated	8
	Stainless Steel	---	A4-70
U-bolt nut	Steel	Zinc plated	8
	Stainless Steel	---	A4-70 A2-70
Flanged nut for U-bolts	Steel	Zinc plated	8
	Stainless Steel	---	---
Washer for U-bolts	Steel	Zinc plated	100 HV
	Stainless Steel	---	A4-70 A2-70
Nut bolt	Steel	Zinc plated	8

TIGHTENING TORQUES AND MAXIMUM LOADS IN PIPE DIRECTION



All tightening torques and maximum loads in pipe direction regard clamps with upper plates and hexagon head bolts according to EN ISO 4014/4017.

The value of the load F is an average value of tests performed with steel tube Fe360.

If the stress of the clamp in an axial direction of the pipe, the pipe slides into the clamp.

Sliding starts when F value is reached.

STANDARD SERIES

Code PI.EFFE.CI.	Hexagon head bolt (EN ISO 4014/4017)	Polypropylene		Polyamide		Aluminium	
		Tightening torque (Nm)	Max load in pipe direction F (KN)	Tightening torque (Nm)	Max load in pipe direction F (KN)	Tightening torque (Nm)	Max load in pipe direction F (KN)
C1	M6	8	0,7	10	0,7	12	3,6
C2		8	1,2	10	0,9	12	4,3
C3		8	1,5	10	1	12	4,4
C4		8	1,7	10	1,8	12	4,8
C5		8	1,8	10	1,9	12	5,2
C6		8	2	10	2,1	12	7,5
C7		8	2,2	10	2,8	12	9
C8		8	2,3	10	2,5	---	---
C9		8	2,4	10	2,5	---	---

HEAVY SERIES

Code PI.EFFE.CI.	Hexagon head bolt (EN ISO 4014/4017)	Polypropylene		Polyamide		Aluminium	
		Tightening torque (Nm)	Max load in pipe direction F (KN)	Tightening torque (Nm)	Max load in pipe direction F (KN)	Tightening torque (Nm)	Max load in pipe direction F (KN)
CP1	M10	13	1,8	21	4,5	32	13
CP2		13	3	21	4,7	32	16
CP3		15	3,5	25	5,2	37	16,5
CP4	M12	30	8,5	40	9,5	55	30,5
CP5	M16	46	11,5	56	27	125	36,5
CP6	M20	80	15	155	25	225	62,5
CP7	M24	110	30	200	34	250	71,7
CP8	M30	190	41	360	50	500	86,5
CP9		210	125	380	130	500	190,5
CP10		270	168	450	180	600	244,5

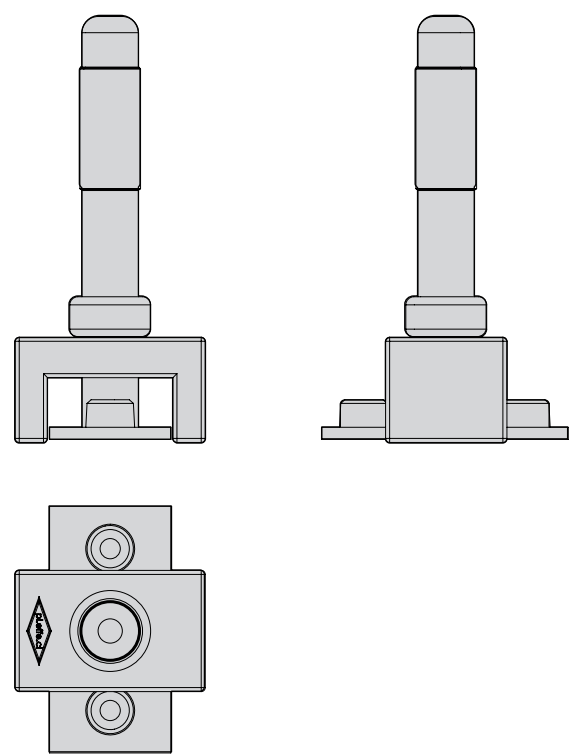
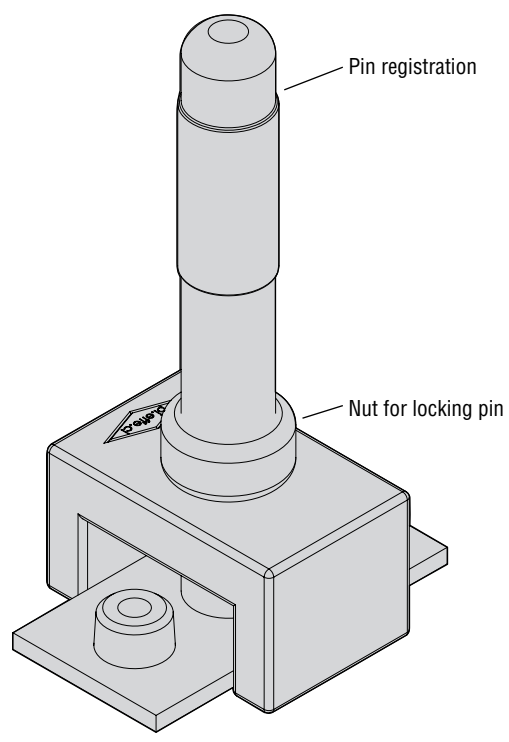
TWIN SERIES

Code PI.EFFE.CI.	Hexagon head bolt (EN ISO 4014/4017)	Polypropylene		Polyamide	
		Tightening torque (Nm)	Max load in pipe direction F (KN)	Tightening torque (Nm)	Max load in pipe direction F (KN)
CF1	M6	6	1,1	6	1,1
CF2	M8	13	2,5	13	2,5
CF3		13	2,1	13	2,1
CF4		13	2,9	13	3,1
CF5		9	2,2	9	2,7

Tool for Welding of Plates

TOOL FOR WELDING OF PLATES

The tool can be used during the welding of the lower plates to facilitate the taking, thanks to a magnets placed into the pin registration.
 It's available on request and can be used for Standard Series, TwinSeries, and Heavy Series for CP1, CP2 and CP3 only.
Note: Do not use with stainless steel plates.



The values contained in this catalogue have been collected most carefully,
but must be considered indicative only and not absolute.

The company refuse all responsibility pertaining to the products
with the exception of manufacturing defect.

We reserve the right to make supplements
or modifications without previous notice.

CA 34 D

Available January 2014



***a worldwide
presence***



PI.EFFE.CI. SRL

**main office and production
via G. Sidoli 11/a - 43123 Parma - Italy**

**production
via G. Marconi 76/a - 43123 Parma - Italy**

**tel +39 0521 242676 - fax +39 0521 242861
info@pieffeci.com - www.pieffeci.com**