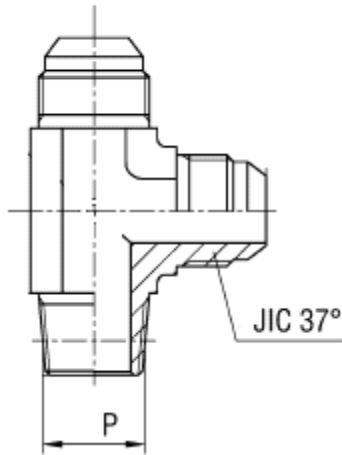
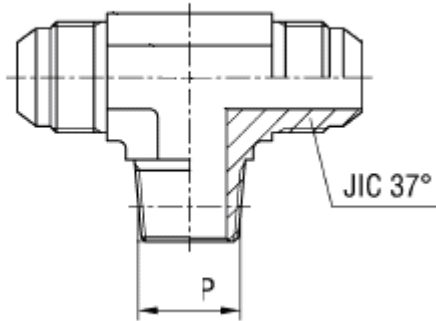


TEE lateral macho NPTF x macho JIC



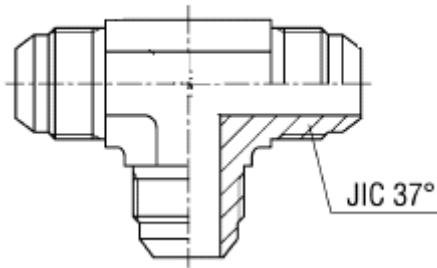
Série	Bar	Código Antigo	P	JIC 37°	Código Novo	
UNIVERSAL	350	TLMNMJ-02-04	1/8"-27	7/16"-20	XX1827261X-02-04	
		TLMNMJ-02-05	1/8"-27	1/2"-20	XX1827261X-02-05	
		TLMNMJ-04-06	1/4"-18	9/16"-18	XX1827261X-04-06	
		TLMNMJ-06-08	3/8"-18	3/4"-16	XX1827261X-06-08	
		TLMNMJ-08-10	1/2"-14	7/8"-14	XX1827261X-08-10	
			TLMNMJ-12-12	3/4"-14	1.1/16"-12	XX1827261X-12-12
	290	TLMNMJ-16-16	1"-11.1/2	1.5/16"-12	XX1827261X-16-16	
	240	TLMNMJ-20-20	1.1/4"-11.1/2	1.5/8"-12	XX1827261X-20-20	
		TLMNMJ-24-24	1.1/2"-11.1/2	1.7/8"-12	XX1827261X-24-24	
	350	TLMNMJ-04-04	1/4"-18	7/16"-20	XX1827261X-04-04	
			TLMNMJ-04-05	1/4"-18	1/2"-20	XX1827261X-04-05
			TLMNMJ-06-06	3/8"-18	9/16"-18	XX1827261X-06-06
			TLMNMJ-08-08	1/2"-14	3/4"-16	XX1827261X-08-08
			TLMNMJ-06-10	3/8"-18	7/8"-14	XX1827261X-06-10
			TLMNMJ-12-10	3/4"-14	7/8"-14	XX1827261X-12-10
			TLMNMJ-08-12	1/2"-14	1.1/16"-12	XX1827261X-08-12
	290		TLMNMJ-12-16	3/4"-14	1.5/16"-12	XX1827261X-12-16
			TLMNMJ-16-20	1"-11.1/2	1.5/8"-12	XX1827261X-16-20

TEE central macho NPTF x macho JIC



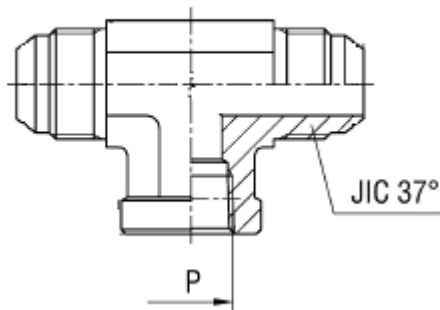
Série	Bar	Código Antigo	P	JIC 37°	Código Novo
UNIVERSAL	350	TCMNMJ-02-04	1/8"-27	7/16"-20	XX1927261X-02-04
		TCMNMJ-02-05	1/8"-27	1/2"-20	XX1927261X-02-05
		TCMNMJ-04-06	1/4"-18	9/16"-18	XX1927261X-04-06
		TCMNMJ-06-08	3/8"-18	3/4"-16	XX1927261X-06-08
		TCMNMJ-08-10	1/2"-14	7/8"-14	XX1927261X-08-10
	TCMNMJ-12-12	3/4"-14	1.1/16"-12	XX1927261X-12-12	
	290	TCMNMJ-16-16	1"-11.1/2	1.5/16"-12	XX1927261X-16-16
	240	TCMNMJ-20-20	1.1/4"-11.1/2	1.5/8"-12	XX1927261X-20-20
		TCMNMJ-24-24	1.1/2"-11.1/2	1.7/8"-12	XX1927261X-24-24
	350	TCMNMJ-04-04	1/4"-18	7/16"-20	XX1927261X-04-04
		TCMNMJ-04-05	1/4"-18	1/2"-20	XX1927261X-04-05
		TCMNMJ-06-06	3/8"-18	9/16"-18	XX1927261X-06-06
		TCMNMJ-08-08	1/2"-14	3/4"-16	XX1927261X-08-08
		TCMNMJ-06-10	3/8"-18	7/8"-14	XX1927261X-06-10
		TCMNMJ-12-10	3/4"-14	7/8"-12	XX1927261X-12-10
		TCMNMJ-08-12	1/2"-14	1.1/16"-12	XX1927261X-08-12
	290	TCMNMJ-12-16	3/4"-14	1.5/16"-12	XX1927261X-12-16
	240	TCMNMJ-16-20	1"-11.1/2	1.5/8"-12	XX1927261X-16-20

Adaptador TEE macho JIC



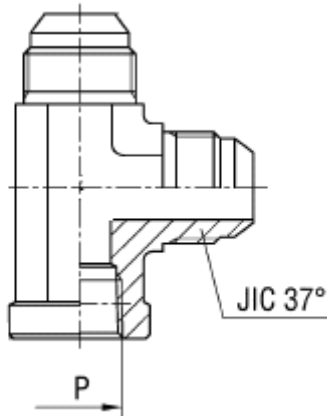
Série	Bar	Código Antigo	JIC 37°	Código Novo
UNIVERSAL	450	TMJMJ-04-04	7/16"-20	XX1726261X-04-04
		TMJMJ-05-05	1/2"-20	XX1726261X-05-05
	350	TMJMJ-06-06	9/16"-18	XX1726261X-06-06
		TMJMJ-08-08	3/4"-16	XX1726261X-08-08
		TMJMJ-10-10	7/8"-14	XX1726261X-10-10
		TMJMJ-12-12	1.1/16"-12	XX1726261X-12-12
	290	TMJMJ-16-16	1.5/16"-12	XX1726261X-16-16
	240	TMJMJ-20-20	1.5/8"-12	XX1726261X-20-20
		TMJMJ-24-24	1.7/8"-12	XX1726261X-24-24

Adaptador TEE central fêmea NPTF x macho JIC



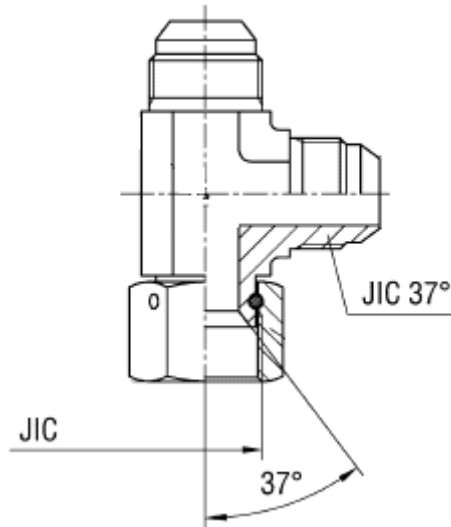
Série	Bar	Código Antigo	P	JIC 37°	Código Novo	
UNIVERSAL	350	TCFNMJ-02-04	1/8"-27	7/16"-20	XX1958261X-02-04	
		TCFNMJ-02-05	1/8"-27	1/2"-20	XX1958261X-02-05	
		TCFNMJ-04-06	1/4"-18	9/16"-18	XX1958261X-04-06	
		TCFNMJ-06-08	3/8"-18	3/4"-16	XX1958261X-06-08	
		TCFNMJ-08-10	1/2"-14	7/8"-14	XX1958261X-08-10	
		TCFNMJ-12-12	3/4"-14	1.1/16"-12	XX1958261X-12-12	
	290	TCFNMJ-16-16	1"-11.1/2	1.5/16"-12	XX1958261X-16-16	
	240	TCFNMJ-20-20	1.1/4"-11.1/2	1.5/8"-12	XX1958261X-20-20	
		TCFNMJ-24-24	1.1/2"-11.1/2	1.7/8"-12	XX1958261X-24-24	
	350	TCFNMJ-04-04	1/4"-18	7/16"-20	XX1958261X-04-04	
		TCFNMJ-04-05	1/4"-18	1/2"-20	XX1958261X-04-05	
		TCFNMJ-02-06	1/8"-18	9/16"-18	XX1958261X-02-06	
		TCFNMJ-06-06	3/8"-18	9/16"-18	XX1958261X-06-06	
		TCFNMJ-04-08	1/4"-18	3/4"-16	XX1958261X-04-08	
		TCFNMJ-08-08	1/2"-14	3/4"-16	XX1958261X-08-08	
			TCFNMJ-12-12	3/4"-14	1.1/16"-12	XX1958261X-12-12

Adaptador TEE lateral fêmea NPTF x macho JIC



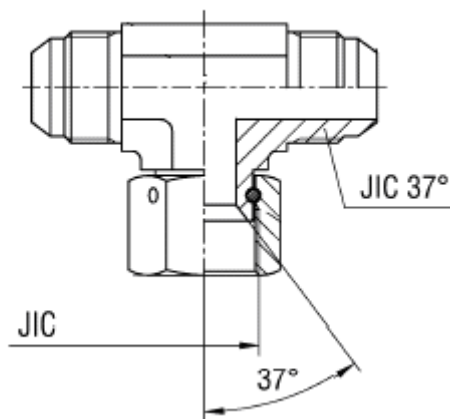
Série	Bar	Código Antigo	P	JIC 37°	Código Novo	
UNIVERSAL	350	TLFNMJ-02-04	1/8"-27	7/16"-20	XX1858261X-02-04	
		TLFNMJ-02-05	1/8"-27	1/2"-20	XX1858261X-02-05	
		TLFNMJ-04-06	1/4"-18	9/16"-18	XX1858261X-04-06	
		TLFNMJ-06-08	3/8"-18	3/4"-16	XX1858261X-06-08	
		TLFNMJ-08-10	1/2"-14	7/8"-14	XX1858261X-08-10	
		TLFNMJ-12-12	3/4"-14	1.1/16"-12	XX1858261X-12-12	
	290	TLFNMJ-16-16	1"-11.1/2	1.5/16"-12	XX1858261X-16-16	
	240	TLFNMJ-20-20	1.1/4"-11.1/2	1.5/8"-12	XX1858261X-20-20	
		TLFNMJ-24-24	1.1/2"-11.1/2	1.7/8"-12	XX1858261X-24-24	
	350	350	TLFNMJ-04-04	1/4"-18	7/16"-20	XX1858261X-04-04
			TLFNMJ-04-05	1/4"-18	1/2"-20	XX1858261X-04-05
			TLFNMJ-02-06	1/8"-27	9/16"-18	XX1858261X-02-06
			TLFNMJ-06-06	3/8"-18	9/16"-18	XX1858261X-06-06
			TLFNMJ-04-08	1/4"-18	3/4"-16	XX1858261X-04-08
TLFNMJ-08-08			1/2"-14	3/4"-16	XX1858261X-08-08	
		TLFNMJ-08-12	1/2"-14	1.1/16"-12	XX1858261X-08-12	

Adaptador TEE lateral fêmea JIC x macho JIC



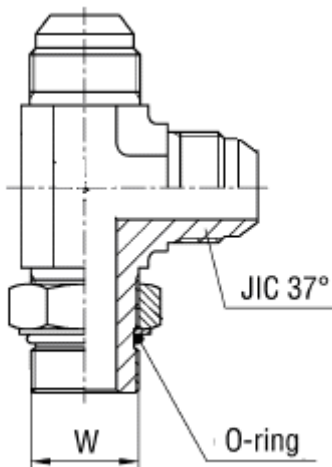
Série	Bar	Código Antigo	JIC 37°	Código Novo
UNIVERSAL	450	TLFJMJ-04-04	7/16"-20	XX1850261X-04-04
		TLFJMJ-05-05	1/2"-20	XX1850261X-05-05
	350	TLFJMJ-06-06	9/16"-18	XX1850261X-06-06
		TLFJMJ-08-08	3/4"-16	XX1850261X-08-08
		TLFJMJ-10-10	7/8"-14	XX1850261X-10-10
	290	TLFJMJ-12-12	1.1/16"-12	XX1850261X-12-12
		TLFJMJ-16-16	1.5/16"-12	XX1850261X-16-16
		240	TLFJMJ-20-20	1.5/8"-12
	TLFJMJ-24-24		1.7/8"-12	XX1850261X-24-24

Adaptador TEE central fêmea JIC x macho JIC



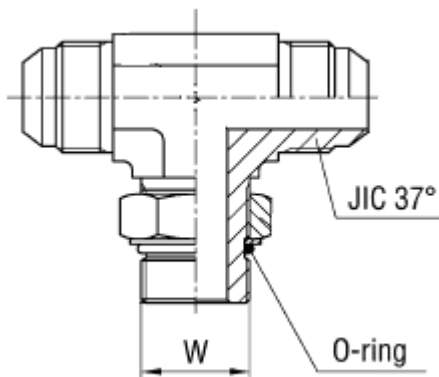
Série	Bar	Código Antigo	JIC 37°	Código Novo
UNIVERSAL	450	TCFJMJ-04-04	7/16"-20	XX1950261X-04-04
		TCFJMJ-05-05	1/2"-20	XX1950261X-05-05
	350	TCFJMJ-06-06	9/16"-18	XX1950261X-06-06
		TCFJMJ-08-08	3/4"-16	XX1950261X-08-08
		TCFJMJ-10-10	7/8"-14	XX1950261X-10-10
		TCFJMJ-12-12	1.1/16"-12	XX1950261X-12-12
	290	TCFJMJ-16-16	1.5/16"-12	XX1950261X-16-16
	240	TCFJMJ-20-20	1.5/8"-12	XX1950261X-20-20
		TCFJMJ-24-24	1.7/8"-12	XX1950261X-24-24

TEE lateral macho orientável UNF x macho JIC



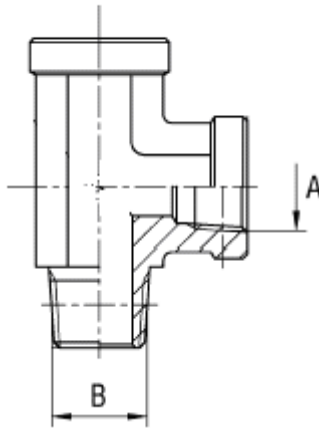
Série	Bar	Código Antigo	W	JIC 37°	Código Novo
UNIVERSAL	400	TLMSOMJ-04-04	7/16"-20	7/16"-20	XX2233261X-04-04
		TLMSOMJ-05-05	1/2"-20	1/2"-20	XX2233261X-05-05
	350	TLMSOMJ-06-06	9/16"-18	9/16"-18	XX2233261X-06-06
		TLMSOMJ-08-08	3/4"-16	3/4"-16	XX2233261X-08-08
		TLMSOMJ-10-10	7/8"-14	7/8"-14	XX2233261X-10-10
		TLMSOMJ-12-12	1.1/16"-12	1.1/16"-12	XX2233261X-12-12
	290	TLMSOMJ-16-16	1.5/16"-12	1.5/16"-12	XX2233261X-16-16
	240	TLMSOMJ-20-20	1.5/8"-12	1.5/8"-12	XX2233261X-20-20
		TLMSOMJ-24-24	1.7/8"-12	1.7/8"-12	XX2233261X-24-24
	400	TLMSOMJ-05-04	1/2"-20	7/16"-20	XX2233261X-05-04
	350	TLMSOMJ-06-04	9/16"-18	7/16"-20	XX2233261X-06-04
		TLMSOMJ-08-06	3/4"-16	9/16"-18	XX2233261X-08-06
		TLMSOMJ-10-08	7/8"-14	3/4"-16	XX2233261X-10-08
		TLMSOMJ-12-08	1.1/16"-12	3/4"-16	XX2233261X-12-08
		TLMSOMJ-08-10	3/4"-16	7/8"-14	XX2233261X-08-10
		TLMSOMJ-12-10	1.1/16"-12	7/8"-14	XX2233261X-12-10
		TLMSOMJ-08-12	3/4"-16	1.1/16"-12	XX2233261X-08-12
		TLMSOMJ-10-12	7/8"-14	1.1/16"-12	XX2233261X-10-12
	290	TLMSOMJ-16-12	1.5/16"-12	1.1/16"-12	XX2233261X-16-12
		TLMSOMJ-12-16	1.1/16"-12	1.5/16"-12	XX2233261X-12-16
240	TLMSOMJ-20-16	1.5/8"-12	1.5/16"-12	XX2233261X-20-16	

TEE central macho orientável UNF x macho JIC



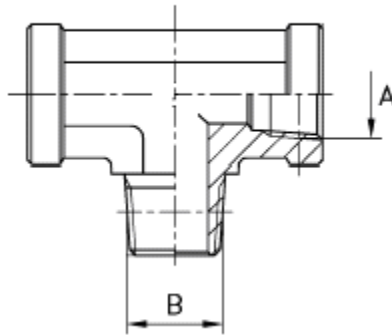
Série	Bar	Código Antigo	W	JIC 37°	Código Novo
UNIVERSAL	400	TCMSOMJ-04-04	7/16"-20	7/16"-20	XX2333261X-04-04
		TCMSOMJ-05-05	1/2"-20	1/2"-20	XX2333261X-05-05
	350	TCMSOMJ-06-06	9/16"-18	9/16"-18	XX2333261X-06-06
		TCMSOMJ-08-08	3/4"-16	3/4"-16	XX2333261X-08-08
		TCMSOMJ-10-10	7/8"-14	7/8"-14	XX2333261X-10-10
		TCMSOMJ-12-12	1.1/16"-12	1.1/16"-12	XX2333261X-12-12
	290	TCMSOMJ-16-16	1.5/16"-12	1.5/16"-12	XX2333261X-16-16
	240	TCMSOMJ-20-20	1.5/8"-12	1.5/8"-12	XX2333261X-20-20
		TCMSOMJ-24-24	1.7/8"-12	1.7/8"-12	XX2333261X-24-24
	400	TCMSOMJ-05-04	1/2"-20	7/16"-20	XX2333261X-05-04
		TCMSOMJ-06-04	9/16"-18	7/16"-20	XX2333261X-06-04
	350	TCMSOMJ-08-06	3/4"-16	9/16"-18	XX2333261X-08-06
		TCMSOMJ-10-08	7/8"-14	3/4"-16	XX2333261X-10-08
		TCMSOMJ-12-08	1.1/16"-12	3/4"-16	XX2333261X-12-08
		TCMSOMJ-08-10	3/4"-16	7/8"-14	XX2333261X-08-10
		TCMSOMJ-12-10	1.1/16"-12	7/8"-14	XX2333261X-12-10
		TCMSOMJ-08-12	3/4"-16	1.1/16"-12	XX2333261X-08-12
		TCMSOMJ-10-12	7/8"-14	1.1/16"-12	XX2333261X-10-12
	290	TCMSOMJ-16-12	1.5/16"-12	1.1/16"-12	XX2333261X-16-12
		TCMSOMJ-12-16	1.1/16"-12	1.5/16"-12	XX2333261X-12-16
240	TCMSOMJ-20-16	1.5/8"-12	1.5/16"-12	XX2333261X-20-16	

Adaptador TEE lateral macho NPTF x fêmea NPTF



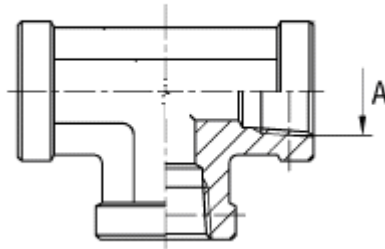
Série	Bar	Código Antigo	A	B	Código Novo
	350	TLMNFN-02-02	1/8"-27	1/8"-27	XX1827581X-02-02
		TLMNFN-04-04	1/4"-18	1/4"-18	XX1827581X-04-04
	250	TLMNFN-06-06	3/8"-18	3/8"-18	XX1827581X-06-06
	225	TLMNFN-08-08	1/2"-14	1/2"-14	XX1827581X-08-08
	200	TLMNFN-12-12	3/4"-14	3/4"-14	XX1827581X-12-12
		TLMNFN-16-16	1"-11.1/2	1"-11.1/2	XX1827581X-16-16
	160	TLMNFN-20-20	1.1/4"-11.1/2	1.1/4"-11.1/2	XX1827581X-20-20
		TLMNFN-24-24	1.1/2"-11.1/2	1.1/2"-11.1/2	XX1827581X-24-24
	100	TLMNFN-32-32	2"-11.1/2	2"-11.1/2	XX1827581X-32-32

Adaptador TEE macho central NPTF x fêmea NPTF



Série	Bar	Código Antigo	A	B	Código Novo	
UNIVERSAL	350	TCMNFN-02-02	1/8"-27	1/8"-27	XX1927581X-02-02	
		TCMNFN-04-04	1/4"-18	1/4"-18	XX1927581X-04-04	
	250	TCMNFN-06-06	3/8"-18	3/8"-18	XX1927581X-06-06	
	225	TCMNFN-08-08	1/2"-14	1/2"-14	XX1927581X-08-08	
	160	200	TCMNFN-12-12	3/4"-14	3/4"-14	XX1927581X-12-12
			TCMNFN-16-16	1"-11.1/2	1"-11.1/2	XX1927581X-16-16
			TCMNFN-20-20	1.1/4"-11.1/2	1.1/4"-11.1/2	XX1927581X-20-20
	100		TCMNFN-24-24	1.1/2"-11.1/2	1.1/2"-11.1/2	XX1927581X-24-24
			TCMNFN-32-32	2"-11.1/2	2"-11.1/2	XX1927581X-32-32

Adaptador TEE fêmea NPTF



Série	Bar	Código Antigo	A	Código Novo
UNIVERSAL	350	TFNFN-02-02	1/8"-27	XX1758581X-02-02
		TFNFN-04-04	1/4"-18	XX1758581X-04-04
	250	TFNFN-06-06	3/8"-18	XX1758581X-06-06
	225	TFNFN-08-08	1/2"-14	XX1758581X-08-08
	200	TFNFN-12-12	3/4"-14	XX1758581X-12-12
		TFNFN-16-16	1"-11.1/2	XX1758581X-16-16
	160	TFNFN-20-20	1.1/4"-11.1/2	XX1758581X-20-20
		TFNFN-24-24	1.1/2"-11.1/2	XX1758581X-24-24
	100	TFNFN-32-32	2"-11.1/2	XX1758581X-32-32