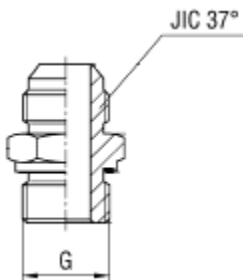
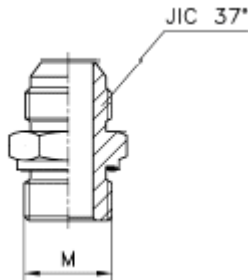


Adaptador macho BSP vedação com anel ED x macho JIC



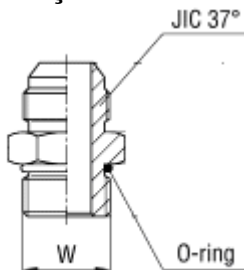
Série	Bar	Código Antigo	G	JIC 37°	Código Novo	
UNIVERSAL	350	IMBMJ-02-04	1/8"-28	7/16"-20	XX1312261X-02-04	
		IMBMJ-02-05	1/8"-28	1/2"-20	XX1312261X-02-05	
		IMBMJ-04-06	1/4"-19	9/16"-18	XX1312261X-04-06	
		IMBMJ-06-08	3/8"-19	3/4"-16	XX1312261X-06-08	
		IMBMJ-08-10	1/2"-14	7/8"-14	XX1312261X-08-10	
			IMBMJ-12-12	3/4"-14	1.1/16"-12	XX1312261X-12-12
	290	IMBMJ-16-16	1"-11.1/2	1.5/16"-12	XX1312261X-16-16	
	240	IMBMJ-20-20	1.1/4"-11.1/2	1.5/8"-12	XX1312261X-20-20	
		IMBMJ-24-24	1.1/2"-11.1/2	1.7/8"-12	XX1312261X-24-24	
	350		IMBMJ-04-04	1/4"-19	7/16"-20	XX1312261X-04-04
			IMBMJ-06-04	3/8"-19	7/16"-20	XX1312261X-06-04
			IMBMJ-08-04	1/2"-14	7/16"-20	XX1312261X-08-04
			IMBMJ-04-05	1/4"-19	1/2"-20	XX1312261X-04-05
			IMBMJ-06-05	3/8"-19	1/2"-20	XX1312261X-06-05
			IMBMJ-02-06	1/8"-28	9/16"-18	XX1312261X-02-06
			IMBMJ-06-06	3/8"-19	9/16"-18	XX1312261X-06-06
			IMBMJ-08-06	1/2"-14	9/16"-18	XX1312261X-08-06
			IMBMJ-04-08	1/4"-19	3/4"-16	XX1312261X-04-08
			IMBMJ-08-08	1/2"-14	3/4"-16	XX1312261X-08-08
			IMBMJ-12-08	3/4"-14	3/4"-16	XX1312261X-12-08
			IMBMJ-06-10	3/8"-19	7/8"-14	XX1312261X-06-10
			IMBMJ-06-12	3/8"-19	1.1/16"-12	XX1312261X-06-12
			IMBMJ-08-12	1/2"-14	1.1/16"-12	XX1312261X-08-12
			290	IMBMJ-16-12	1"-11.1/2	1.1/16"-12
	IMBMJ-12-16	3/4"-14		1.5/16"-12	XX1312261X-12-16	
	240	IMBMJ-20-16	1.1/4"-11.1/2	1.5/16"-12	XX1312261X-20-16	
		IMBMJ-16-20	1"-11.1/2	1.5/8"-12	XX1312261X-16-20	
		IMBMJ-24-20	1.1/2"-11.1/2	1.5/8"-12	XX1312261X-24-20	
		IMBMJ-20-24	1.1/4"-11.1/2	1.7/8"-12	XX1312261X-20-24	

Adaptador macho Métrico vedação com anel ED x macho JIC



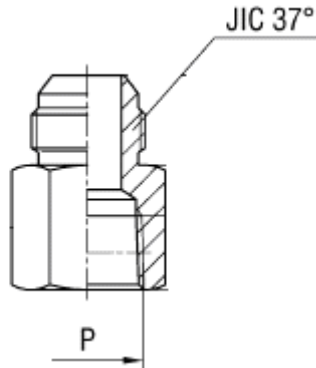
Série	Bar	Código Antigo	M	JIC 37°	Código Novo
UNIVERSAL	350	IMMMJ-10-04	10x1	7/16"-20	XX1320261X-10-04
		IMMMJ-12-05	12x1.5	1/2"-20	XX1320261X-12-05
		IMMMJ-14-06	14x1.5	9/16"-18	XX1320261X-14-06
		IMMMJ-16-08	16x1.5	3/4"-16	XX1320261X-16-08
		IMMMJ-22-10	22x1.5	7/8"-14	XX1320261X-22-10
		IMMMJ-27-12	27x2	1.1/2"-12	XX1320261X-27-12
	290	IMMMJ-33-16	33x2	1.5/16"-12	XX1320261X-33-16
	240	IMMMJ-42-20	42x2	1.5/8"-12	XX1320261X-42-20
		IMMMJ-48-24	48x2	1.7/8"-12	XX1320261X-48-24
	350	IMMMJ-12-04	12x1.5	7/16"-20	XX1320261X-12-04
		IMMMJ-10-05	10x1	1/2"-20	XX1320261X-10-05
		IMMMJ-14-05	14x1.5	1/2"-20	XX1320261X-14-05
		IMMMJ-16-06	16x1.5	9/16"-18	XX1320261X-16-06
		IMMMJ-14-08	14x1.5	3/4"-16	XX1320261X-14-08
		IMMMJ-18-08	18x1.5	3/4"-16	XX1320261X-18-08
		IMMMJ-18-10	18x1.5	7/8"-14	XX1320261X-18-10
		IMMMJ-20-10	20x1.5	7/8"-14	XX1320261X-20-10
		IMMMJ-22-12	22x1.5	1.1/16"-12	XX1320261X-22-12
	290	IMMMJ-27-16	27x2	1.5/16"-12	XX1320261X-27-16

Adaptador macho UNF vedação com anel O'Ring x macho JIC



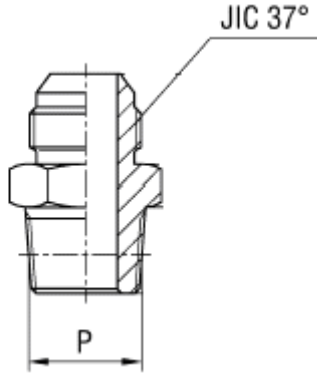
Série	Bar	Código Antigo	W	JIC 37°	Código Novo
UNIVERSAL	400	IMSMJ-04-04	7/16"-20	7/16"-20	XX1328261X-04-04
		IMSMJ-05-05	1/2"-20	1/2"-20	XX1328261X-05-05
	350	IMSMJ-06-06	9/16"-18	9/16"-18	XX1328261X-06-06
		IMSMJ-08-08	3/4"-16	3/4"-16	XX1328261X-08-08
		IMSMJ-10-10	7/8"-14	7/8"-14	XX1328261X-10-10
		IMSMJ-12-12	1.1/16"-12	1.1/16"-12	XX1328261X-12-12
	290	IMSMJ-16-16	1.5/16"-12	1.5/16"-12	XX1328261X-16-16
	240	IMSMJ-20-20	1.5/8"-12	1.5/8"-12	XX1328261X-20-20
		IMSMJ-24-24	1.7/8"-12	1.7/8"-12	XX1328261X-24-24
	400	IMSMJ-05-04	1/2"-20	7/16"-20	XX1328261X-05-04
	350	IMSMJ-06-04	9/16"-18	7/16"-20	XX1328261X-06-04
		IMSMJ-08-04	3/4"-16	7/16"-20	XX1328261X-08-04
		IMSMJ-06-05	9/16"-18	1/2"-20	XX1328261X-06-05
		IMSMJ-04-06	7/16"-20	9/16"-18	XX1328261X-04-06
		IMSMJ-05-06	1/2"-20	9/16"-18	XX1328261X-05-06
		IMSMJ-08-06	3/4"-16	9/16"-18	XX1328261X-08-06
		IMSMJ-10-06	7/8"-14	9/16"-18	XX1328261X-10-06
		IMSMJ-06-08	9/16"-18	3/4"-16	XX1328261X-06-08
		IMSMJ-10-08	7/8"-14	3/4"-16	XX1328261X-10-08
		IMSMJ-12-08	1.1/16"-12	3/4"-16	XX1328261X-12-08
		IMSMJ-08-10	3/4"-16	7/8"-14	XX1328261X-08-10
		IMSMJ-12-10	1.1/16"-12	7/8"-14	XX1328261X-12-10
		IMSMJ-08-12	3/4"-16	1.1/16"-12	XX1328261X-08-12
		IMSMJ-10-12	7/8"-14	1.1/16"-12	XX1328261X-10-12
	290	IMSMJ-16-12	1.5/16"-12	1.1/16"-12	XX1328261X-16-12
		IMSMJ-10-16	7/8"-14	1.5/16"-12	XX1328261X-10-16
		IMSMJ-12-16	1.1/16"-12	1.5/16"-12	XX1328261X-12-16
	240	IMSMJ-20-16	1.5/8"-12	1.5/16"-12	XX1328261X-20-16
		IMSMJ-16-20	1.5/16"-12	1.5/8"-12	XX1328261X-16-20
	IMSMJ-20-24	1.5/8"-12	1.7/8"-12	XX1328261X-20-24	

Adaptador fêmea NPTF x macho JIC 37°



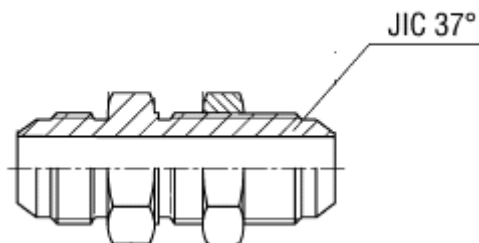
Série	Bar	Código Antigo	P	JIC 37°	Código Novo
UNIVERSAL	350	IFNMJ-02-04	1/8"-27	7/16"-20	XX1358261X-02-04
		IFNMJ-02-05	1/8"-27	1/2"-20	XX1358261X-02-05
		IFNMJ-04-06	1/4"-18	9/16"-18	XX1358261X-04-06
		IFNMJ-06-08	3/8"-18	3/4"-16	XX1358261X-06-08
		IFNMJ-08-10	1/2"-14	7/8"-14	XX1358261X-08-10
	290	IFNMJ-12-12	3/4"-14	1.1/16"-12	XX1358261X-12-12
	240	IFNMJ-16-16	1"-11.1/2	1.5/16"-12	XX1358261X-16-16
		IFNMJ-20-20	1.1/4"-11.1/2	1.5/8"-12	XX1358261X-20-20
	350	IFNMJ-24-24	1.1/2"-11.1/2	1.7/8"-12	XX1358261X-24-24
		IFNMJ-04-04	1/4"-18	7/16"-20	XX1358261X-04-04
		IFNMJ-04-05	1/4"-18	1/2"-20	XX1358261X-04-05
		IFNMJ-06-06	3/8"-18	9/16"-18	XX1358261X-06-06
		IFNMJ-04-08	1/4"-18	3/4"-16	XX1358261X-04-08
		IFNMJ-08-08	1/2"-14	3/4"-16	XX1358261X-08-08
			IFNMJ-08-12	1/2"-14	1.1/16"-12

Adaptador macho NPTF x macho JIC 37°



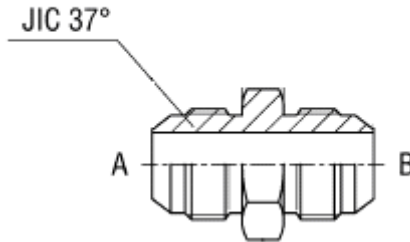
Série	Bar	Código Antigo	P	JIC 37°	Código Novo
UNIVERSAL	350	IMNMJ-02-04	1/8"-27	7/16"-20	XX1327261X-02-04
		IMNMJ-02-05	1/8"-27	1/2"-20	XX1327261X-02-05
		IMNMJ-04-06	1/4"-18	9/16"-18	XX1327261X-04-06
		IMNMJ-06-08	3/8"-18	3/4"-16	XX1327261X-06-08
		IMNMJ-08-10	1/2"-14	7/8"-14	XX1327261X-08-10
		IMNMJ-12-12	3/4"-14	1.1/16"-12	XX1327261X-12-12
	290	IMNMJ-16-16	1"-11.1/2	1.5/16"-12	XX1327261X-16-16
	240	IMNMJ-20-20	1.1/4"-11.1/2	1.5/8"-12	XX1327261X-20-20
		IMNMJ-24-24	1.1/2"-11.1/2	1.7/8"-12	XX1327261X-24-24
	350	IMNMJ-04-04	1/4"-18	7/16"-20	XX1327261X-04-04
		IMNMJ-06-04	3/8"-18	7/16"-20	XX1327261X-06-04
		IMNMJ-08-04	1/2"-14	7/16"-20	XX1327261X-08-04
		IMNMJ-04-05	1/4"-18	1/2"-20	XX1327261X-04-05
		IMNMJ-02-06	1/8"-27	9/16"-18	XX1327261X-02-06
		IMNMJ-06-06	3/8"-18	9/16"-18	XX1327261X-06-06
		IMNMJ-08-06	1/2"-14	9/16"-18	XX1327261X-08-06
		IMNMJ-04-08	1/4"-18	3/4"-16	XX1327261X-04-08
		IMNMJ-08-08	1/2"-14	3/4"-16	XX1327261X-08-08
		IMNMJ-12-08	3/4"-14	3/4"-16	XX1327261X-12-08
		IMNMJ-06-10	3/8"-18	7/8"-14	XX1327261X-06-10
		IMNMJ-12-10	3/4"-14	7/8"-14	XX1327261X-12-10
		IMNMJ-08-12	1/2"-14	1.1/16"-12	XX1327261X-08-12
		290	IMNMJ-16-12	1"-11.1/2	1.1/16"-12
	IMNMJ-12-16		3/4"-14	1.5/16"-12	XX1327261X-12-16
	240	IMNMJ-16-20	1"-11.1/2	1.5/8"-12	XX1327261X-16-20
		IMNMJ-20-24	1.1/4"-11.1/2	1.7/8"-12	XX1327261X-20-24

Adaptador reto Macho JIC x Macho JIC para painel



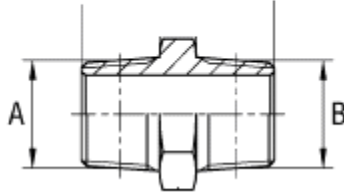
Série	Bar	Código Antigo	JIC 37°	Código Novo
UNIVERSAL	450	IMJMJP-04-04	7/16"-20	XX1426261X-04-04
		IMJMJP-05-05	1/2"-20	XX1426261X-05-05
	350	IMJMJP-06-06	9/16"-18	XX1426261X-06-06
		IMJMJP-08-08	3/4"-16	XX1426261X-08-08
		IMJMJP-10-10	7/8"-14	XX1426261X-10-10
		IMJMJP-12-12	1.1/16"-12	XX1426261X-12-12
	290	IMJMJP-16-16	1.5/16"-12	XX1426261X-16-16
	240	IMJMJP-20-20	1.5/8"-12	XX1426261X-20-20
		IMJMJP-24-24	1.7/8"-12	XX1426261X-24-24

Adaptador reto Macho JIC x Macho JIC



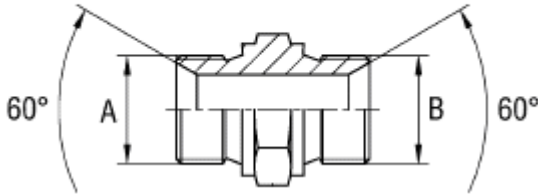
Série	Bar	Código Antigo	JIC 37° A	JIC 37° B	Código Novo	
UNIVERSAL	450	IMJMJ-04-04	7/16"-20	7/16"-20	XX1326261X-04-04	
		IMJMJ-05-05	1/2"-20	1/2"-20	XX1326261X-05-05	
	350	IMJMJ-06-06	9/16"-18	9/16"-18	XX1326261X-06-06	
		IMJMJ-08-08	3/4"-16	3/4"-16	XX1326261X-08-08	
		IMJMJ-10-10	7/8"-14	7/8"-14	XX1326261X-10-10	
		IMJMJ-12-12	1.1/16"-12	1.1/16"-12	XX1326261X-12-12	
	290	IMJMJ-16-16	1.5/16"-12	1.5/16"-12	XX1326261X-16-16	
	240	IMJMJ-20-20	1.5/8"-12	1.5/8"-12	XX1326261X-20-20	
		IMJMJ-24-24	1.7/8"-12	1.7/8"-12	XX1326261X-24-24	
	350	IMJMJ-06-04	9/16"-18	7/16"-20	XX1326261X-06-04	
		IMJMJ-08-06	3/4"-16	9/16"-18	XX1326261X-08-06	
		IMJMJ-10-08	7/8"-14	3/4"-16	XX1326261X-10-08	
		IMJMJ-12-08	1.1/16"-12	3/4"-16	XX1326261X-12-08	
			IMJMJ-12-10	1.1/16"-12	7/8"-14	XX1326261X-12-10
	290	IMJMJ-16-12	1.5/16"-12	1.1/16"-12	XX1326261X-16-12	

NIPLE macho NPTF



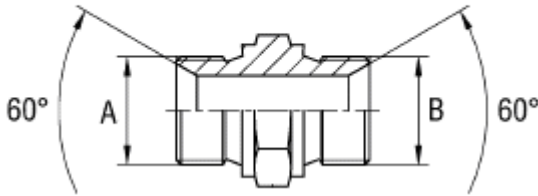
Série	Bar	Código Antigo	A	B	Código Novo
UNIVERSAL	350	IMNMN-02-02	1/8"-27	1/8"-27	XX1327271X-02-02
		IMNMN-04-02	1/4"-18	1/8"-27	XX1327271X-04-02
		IMNMN-04-04	1/4"-18	1/4"-18	XX1327271X-04-04
	250	IMNMN-06-04	3/8"-18	1/4"-18	XX1327271X-06-04
		IMNMN-06-06	3/8"-18	3/8"-18	XX1327271X-06-06
	225	IMNMN-08-06	1/2"-14	3/8"-18	XX1327271X-08-06
		IMNMN-08-08	1/2"-14	1/2"-14	XX1327271X-08-08
	200	IMNMN-12-08	3/4"-14	1/2"-14	XX1327271X-12-08
		IMNMN-12-12	3/4"-14	3/4"-14	XX1327271X-12-12
	160	IMNMN-16-12	1"-11.1/2	3/4"-14	XX1327271X-16-12
		IMNMN-16-16	1"-11.1/2	1"-11.1/2	XX1327271X-16-16
		IMNMN-20-20	1.1/4"-11.1/2	1.1/4"-11.1/2	XX1327271X-20-20
		IMNMN-24-24	1.1/2"-11.1/2	1.1/2"-11.1/2	XX1327271X-24-24
	100	IMNMN-32-32	2"-11.1/2	2"-11.1/2	XX1327271X-32-32
	250	IMNMN-06-02	3/8"-18	1/8"-27	XX1327271X-06-02
	225	IMNMN-08-04	1/2"-14	1/4"-18	XX1327271X-08-04
	200	IMNMN-12-04	3/4"-14	1/4"-18	XX1327271X-12-04
160	IMNMN-20-16	1.1/4"-11.1/2	1"-11.1/2	XX1327271X-20-16	

NIPLE macho BSP



Série	Bar	Código Antigo	A	B	Código Novo
UNIVERSAL	400	IMBMB-02-02	1/8"-28	1/8"-28	XX1311111X-02-02
		IMBMB-04-02	1/4"-19	1/8"-28	XX1311111X-04-02
		IMBMB-06-02	3/8"-19	1/8"-28	XX1311111X-06-02
		IMBMB-04-04	1/4"-19	1/4"-19	XX1311111X-04-04
		IMBMB-06-04	3/8"-19	1/4"-19	XX1311111X-06-04
	350	IMBMB-08-04	1/2"-14	1/4"-19	XX1311111X-08-04
	315	IMBMB-12-04	3/4"-14	1/4"-19	XX1311111X-12-04
	400	IMBMB-06-06	3/8"-19	3/8"-19	XX1311111X-06-06
	350	IMBMB-08-06	1/2"-14	3/8"-19	XX1311111X-08-06
	315	IMBMB-12-06	3/4"-14	3/8"-19	XX1311111X-12-06
	350	IMBMB-08-08	1/2"-14	1/2"-14	XX1311111X-08-08
		IMBMB-10-08	5/8"-14	1/2"-14	XX1311111X-10-08
	315	IMBMB-12-08	3/4"-14	1/2"-14	XX1311111X-12-08
	250	IMBMB-16-08	1"-11	1/2"-14	XX1311111X-16-08
	200	IMBMB-20-08	1.1/4"-11	1/2"-14	XX1311111X-20-08
	350	IMBMB-10-10	5/8"-11	5/8"-14	XX1311111X-10-10
	315	IMBMB-12-10	3/4"-14	5/8"-14	XX1311111X-12-10
		IMBMB-12-12	3/4"-14	3/4"-14	XX1311111X-12-12
	250	IMBMB-16-12	1"-11	3/4"-14	XX1311111X-16-12
	200	IMBMB-20-12	1.1/4"-11	3/4"-14	XX1311111X-20-12
	160	IMBMB-24-12	1.1/2"-11	3/4"-14	XX1311111X-24-12
	250	IMBMB-16-16	1"-11	1"-11	XX1311111X-16-16
	200	IMBMB-20-16	1.1/4"-11	1"-11	XX1311111X-20-16
	100	IMBMB-24-16	1.1/2"-11	1"-11	XX1311111X-24-16
	125	IMBMB-32-16	2"-11	1"-11	XX1311111X-32-16

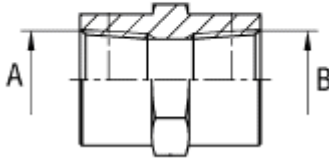
NIPLE macho BSP



Continuação

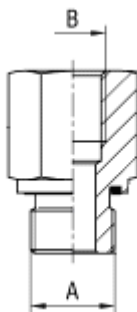
Série	Bar	Código Antigo	A	B	Código Novo
UNIVERSAL	200	IMBMB-20-20	1.1/4"-11	1.1/4"-11	XX1311111X-20-20
	160	IMBMB-24-20	1.1/2"-11	1.1/4"-11	XX1311111X-24-20
	125	IMBMB-32-20	2"-11	1.1/4"-11	XX1311111X-32-20
	160	IMBMB-24-24	1.1/2"-11	1.1/2"-11	XX1311111X-24-24
	125	IMBMB-32-24	2"-11	1.1/2"-11	XX1311111X-32-24
		IMBMB-32-32	2"-11	2"-11	XX1311111X-32-32
	350	IMBMB-08-02	1/2"-14	1/8"-28	XX1311111X-08-02
		IMBMB-10-04	5/8"-14	1/4"-19	XX1311111X-10-04
	250	IMBMB-16-04	1"-11	1/4"-19	XX1311111X-16-04
	350	IMBMB-10-06	5/8"-14	3/8"-19	XX1311111X-10-06
	250	IMBMB-16-06	1"-11	3/8"-19	XX1311111X-16-06
	160	IMBMB-16-10	1"-11	5/8"-14	XX1311111X-16-10
	200	IMBMB-20-10	1.1/4"-11	5/8"-14	XX1311111X-20-10

Adaptador Fêmea NPT x Fêmea NPTF (luva)



Série	Bar	Código Antigo	A	B	Código Novo
UNIVERSAL	350	IFNFN-02-02	1/8"-27	1/8"-27	XX1358581X-02-02
		IFNFN-04-04	1/4"-18	1/4"-18	XX1358581X-04-04
	250	IFNFN-06-06	3/8"-18	3/8"-18	XX1358581X-06-06
	225	IFNFN-08-08	1/2"-14	1/2"-14	XX1358581X-08-08
	200	IFNFN-12-12	3/4"-14	3/4"-14	XX1358581X-12-12
	160	IFNFN-16-16	1"-11.1/2	1"-11.1/2	XX1358581X-16-16
		IFNFN-20-20	1.1/4"-11.1/2	1.1/4"-11.1/2	XX1358581X-20-20
		IFNFN-24-24	1.1/2"-11.1/2	1.1/2"-11.1/2	XX1358581X-24-24
	350	IFNFN-02-04	1/8"-27	1/4"-18	XX1358581X-02-04
	250	IFNFN-02-06	1/8"-27	3/8"-18	XX1358581X-02-06
		IFNFN-04-06	1/4"-18	3/8"-18	XX1358581X-04-06
	225	IFNFN-04-08	1/4"-18	1/2"-14	XX1358581X-04-08
	225	IFNFN-06-08	3/8"-18	1/2"-14	XX1358581X-06-08
	200	IFNFN-08-12	1/2"-14	3/4"-14	XX1358581X-08-12

Adaptador Macho x Fêmea BSP (Paralela) com anel ED



Série	Bar	Código Antigo	A	B	Código Novo
LEVE PESADA	630	MFA 1/8X1/4 BSP	1/8"-28	1/4"-19	XX3312731X-02-04
		MFA 1/8X3/8 BSP	1/8"-28	3/8"-19	XX3312731X-02-06
		MFA 1/4X1/8 BSP	1/4"-19	1/8"-28	XX3312731X-04-02
		MFA 1/4X3/8 BSP	1/4"-19	3/8"-19	XX3312731X-04-06
		MFA 1/4X1/2 BSP	1/4"-19	1/2"-14	XX3312731X-04-08
		MFA 1/4X3/4 BSP	1/4"-19	3/4"-14	XX3312731X-04-12
		MFA 3/8X1/4 BSP	3/8"-19	1/4"-19	XX3312731X-06-04
	400	MFA 3/8X1/2 BSP	3/8"-19	1/2"-14	XX3312731X-06-08
	400	MFA 3/8X3/4 BSP	3/8"-19	3/4"-14	XX3312731X-06-12
	630	MFA 1/2X3/8 BSP	1/2"-14	3/8"-19	XX3312731X-08-06
	400	MFA 1/2X3/4 BSP	1/2"-14	3/4"-14	XX3312731X-08-12
		MFA 1/2X1 BSP	1/2"-14	1"-11	XX3312731X-08-16
		MFA 1/2X1.1/4 BSP	1/2"-14	1.1/4"-11	XX3312731X-08-20
		MFA 3/4X1/2 BSP	3/4"-14	1/2"-14	XX3312731X-12-08
		MFA 3/4X1 BSP	3/4"-14	1"-11	XX3312731X-12-16
	315	MFA 3/4X1.1/4 BSP	3/4"-14	1.1/4"-11	XX3312731X-12-20
	315	MFA 3/4X1.1/2 BSP	3/4"-14	1.1/2"-11	XX3312731X-12-24
	400	MFA 1X3/4 BSP	1"-11	3/4"-14	XX3312731X-16-12
		MFA 1X1.1/4 BSP	1"-11	1.1/4"-11	XX3312731X-16-20
	315	MFA 1X1.1/2 BSP	1"-11	1.1/2"-11	XX3312731X-16-24
	400	MFA 1.1/4X1 BSP	1.1/4"-11	1"-11	XX3312731X-20-16
		MFA 1.1/4X1/2 BSP	1.1/4"-11	1/2"-14	XX3312731X-20-08
		MFA 1.1/4X3/4 BSP	1.1/4"-11	3/4"-14	XX3312731X-20-12
	315	MFA 1.1/4X1.1/2 BSP	1.1/4"-11	1.1/2"-11	XX3312731X-20-24
		MFA 1.1/2X1.1/4 BSP	1.1/2"-11	1.1/4"-11	XX3312731X-24-20